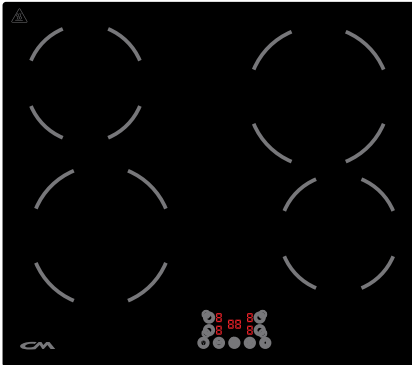




## VITROCERAMIC HOB 60

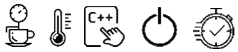


CODE:HBC6004005

### CASA 60

60 CM VITROCERAMIC HOB

#### FUNCTIONS:



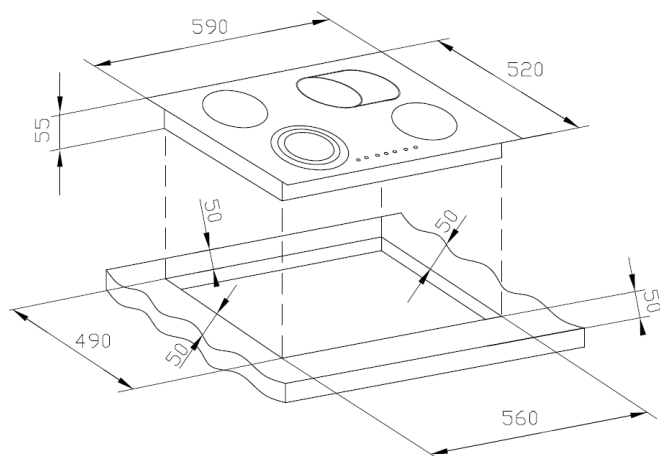
#### HEATING ELEMENTS:

|                           |                      |
|---------------------------|----------------------|
| VOLTAGE :                 | 220-240 V~ /380-450  |
| TOTAL POWER :             | 7200 W               |
| BURNER-1 LEFT TOP ) :     | 2000(2600)W /210 MM  |
| BURNER-2 (LEFT BOTTOM ) : | 1600 (2000)W /160 MM |
| BURNER-3 (RIGHT TOP ) :   | 2000(2600)W /210 MM  |
| BURNER-4 (RIGHT BOTTOM)   | 1600 (2000)W /160 MM |
| ROHS COMPLIANCE:          | YES                  |
| CE COMPLIANCE :           | YES                  |
| CARTON BOX PACKING :      | 645 X 565 X 120 MM   |

BEVELLED BLACK GLASS,  
INFRARED SLIDING TOUCH CONTROL / CAPACITIVE TOUCH CONTROL  
AUTOMATIC SAFETY SHUT OFF / 99 MINUTES TIMER  
ANTI-OVERHEAT-ANTI-OVERFLOW /

9 POWER LEVELS / 4 HI-LIGHT HEATING ZONES  
HEAT SETTING PER COOKING / SAFETY /CHILD LOCK KEY  
RESIDUAL HEAT INDICATORS / PAUSE FUNCTION

#### INSTALLATION DIAGRAM:



#### DETAILS:

■ BLACK  
WIDTH 590 MM  
HEIGHT 520 MM  
DEPTH 55 MM  
CUT-OUT: 560 X 490 MM