

NABLUS  
BUILDING MATERIALS



MADE IN ITALY



COOK WITH  
PASSION

2024



## OUR BRANDS



**SCHOCK**



## REACH US


BUILDING MATERIALS MALL  
OFFICE + OUR SHOWROOM  
SHOWROOM NO. 48, NABLUS BUILDING MATERIALS,  
**DUBAI , WARSAN 3**  
TEL +971 4 224 3476


EMAIL : SALES@NABLUS.AE


NABLUS BUILDING MATERIALS  
OFFICE + WAREHOUSE + SERVICE CENTER  
**AL SAJAA INDUSTRIAL AREA**  
TEL +971 6 882 9646

EMAIL : SERVICE.CENTER@NABLUS.AE

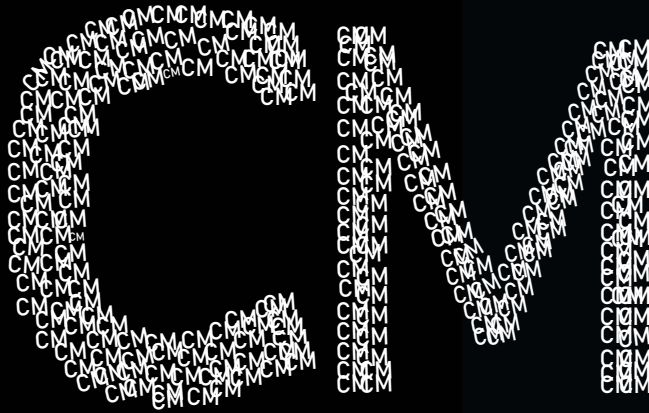
SHOWROOM NABLUS BUILDING MATERIALS,  
OFFICE + OUR SHOWROOM  
**ABU DHABI , ALNAJDA STREET**  
TEL +971 2 8826 656

 [INFO@NABLUS.AE](mailto:INFO@NABLUS.AE)

 [NABLUS.APPLIANCES](http://NABLUS.APPLIANCES)

 [WWW.NABLUS.AE](http://WWW.NABLUS.AE)

 [WWW.CM-APPLIANCES.COM](http://WWW.CM-APPLIANCES.COM)



## NABLUS BUILDING MATERIALS

AS A COMPANY ESTABLISHED IN 2001, IT HAS BEEN IN THE INDUSTRY FOR MORE THAN TWO DECADES.

THE STRONG GROWTH IN THE BUILDING MATERIALS INDUSTRY IN THE UAE HAS MADE THE COMPANY, OVER THE YEARS, ONE OF THE MOST TRUSTED PROVIDERS OF WIDE ARRAY OF KITCHEN ESSENTIALS FROM APPLIANCES, SINKS, MIXER TAPS TO DIFFERENT ACCESSORIES NEEDED IN MAKING EVERY KITCHEN THE MOST FUNCTIONAL AND PRACTICAL PLACE IN EVERY HOME.

LOVE, PASSION, PROFICIENCY, AND ADEPTNESS IN THE FIELD HAVE BEEN THE GREATEST FACTORS IN KEEPING THE COMPANY'S PURPOSE OF PROVIDING EVERY HOME THE KITCHEN THEY HAVE ALWAYS WANTED

WE BELIEVE THAT OUR EXTENSIVE EXPERIENCE IN SPECIALIZED BUILT IN APPLIANCES POSITIONS US AS A VALUABLE PARTNER IN THE DEVELOPMENT WITHIN THE MARKET. OUR UNDERSTANDING OF THE INDUSTRY, COMBINED WITH OUR COMMITMENT TO DELIVERING HIGH-QUALITY PRODUCTS, ENABLES US TO FORGE STRONG RELATIONSHIPS WITH PARTNERS AND GAIN THEIR TRUST.

[www.nablus.ae](http://www.nablus.ae)



## CHEF AT YOUR HOME



### LARGO MM4TCM

CODE: CMLAMOE60E

#### TOUCH CONTROL PANEL

Everything is under control with just one touch on the Creative display.

#### INTUITIVE

It only takes a moment to find the desired function, quickly and easily.

#### MULTI-FUNCTION

All functions you need to get the best results every day while preparing your recipes.

#### CUSTOMIZABLE RECIPES

Recipes to suite every palate have been pre-programmed, but you can modify and customise them to your specific requirements.



### WARMING DRAWER

LIFE H145 NERO

CODE: CMWD145B

Front panel in obsidian black glass



MADE IN ITALY

# NEW OVENS OPERATING SYSTEM CREATIVE DISPLAY

PIZZA SINGLE THIN

CLASSIC PIZZA

TIME 01:15

PREHEAT

17:06




PIZZA FUNCTION 350°

STEAM 100

100°C

25°C

16:00



STEAM COOKING

TRUE CONVECTION

180°C +

25°C

16:00



MULTI LEVEL COOKING

MICROWAVE AND RING

150°C

300W

25°C

TIME 00':12"

16:00



MW COOKING+ HOT AIR

MICROWAVE AND GRILL

300W

TIME 00':12"

16:00



MW COOKING+ GRILL

TRUE CONVECTION

180°C +

25°C

16:00



FAN-ASSISTED COOKING



# INDEX

7-48

OVENS  
ELECTRIC OVENS  
GAS OVENS

49-62

MICROWAVES  
COMBI MICROWAVES  
REGULAR MICROWAVES

58

WARMER DRAWERS

59

COFFEE MACHINE

63-96

HOBBS  
INDUCTION HOBBS  
VITRO CERAMIC HOBBS  
GAS ON GLASS HOBBS  
PIANNI SPECIALLI HOBBS  
DOMINO HOBBS

97-100

FREESTANDING COOKERS + OVEN

CLASSICO

33-36-OVENS

93-96-HOBBS

57-MICROWAVE

101-126

REFRIGERATION  
BUILT - IN  
FREESTANDING  
GAS ON GLASS HOBBS  
UNDERCOUNTER  
BEVERAGE COOLER

127-134

DISHWASHER  
BUILT - IN  
FREESTANDING

135-140

WASHING MACHINE  
BUILT - IN  
FREESTANDING

141-172

HOODS  
ISLAND  
INTEGRATED  
GAS ON GLASS HOBBS  
WALL - MOUNTED  
UNDER CABINET  
CEILING

173-210

STAINLESS STEEL SINKS  
TOP MOUNT  
UNDER MOUNT  
LAY - ON  
COLORED

210-CHANNEL SINKS

211-232 GRANITE SINKS

233-262

MIXERS  
ACQUAMIX PULL OUT  
EASYMIX FIXED SPOUT  
COLOMIX  
GRANITE MIX

263-294

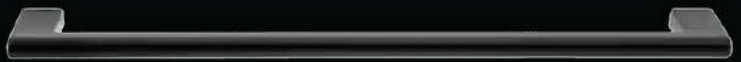
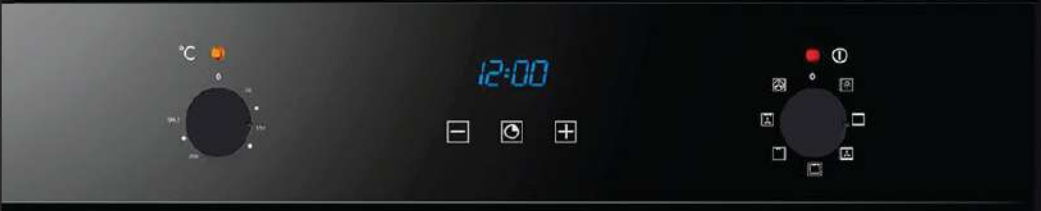
ACCESSORIES





# OVENS









# LIFE STD COMBI



CODE: OVE4009018  
**LIFE STD1 FM 100TC-A  
 NERO**

**FUNCTIONS:**



**FEATURES:**

- MULTIFUNCTION ELECTRIC OVEN
- 9 COOKING FUNCTIONS
- 71L GROSS CAPACITY
- A ENERGY CLASS
- DIGITAL TIMER
- MINUTE MINDER 0-60'
- COOLING FAN
- TOUCH & KNOB CONTROL

- INSIDE CAVITY WITH
- BLACK ENAMELLED MOULDED SIDES
- ENAMELLED METAL INTERIOR DOOR
- DOUBLE GLAZED DOOR
- 1 GRILL SHELF
- 1 BAKING TRAY

**DETAILS:**

- BLACK GLASS FRAMELESS
- WIDTH 595 MM
- HEIGHT 590 MM
- DEPTH 540 MM
- NBM0004150X



CODE: MWC4534011  
**MICROWAVE OVEN  
 LIFE BLACK 45 CM**

**FUNCTIONS:**



**FEATURES:**

- 44 L
- BLACK METAL FINISH
- METAL KNOBS
- DIGIT TIMER (ON-OFF) | KNOBS
- MICROWAVE WITH 6 POWER LEVELS
- MICROWAVE & GRILL
- DEFROSTING
- 3-PANE GLASS COOL-TOUCH DOOR
- CLASSIC USER-FRIENDLY
- KNOB CONTROL COMPLETED
- FUNCTIONAL DIGITAL DISPLAY
- TIMING FUNCTIONS ARE EASY TO SET AND CLEARLY INTELLIGIBLE.
- THE OVEN FEATURES
- FITTED WITH AN EFFICIENT SAFETY SYSTEM, SAFETY LOCK
- ANGENTIAL COOLING VENTILATION.
- THE APPLIANCE COMES WITH A ROUND FLAT RACK
- A TURNTABLE PLATE

**DETAILS:**

- BLACK FRAMELESS
- WIDTH 594 MM
- HEIGHT 452 MM
- DEPTH 562 MM
- NBM0004995X



CODE: CMB1450001  
**CM45DL LIFE A7TC  
 NERO**

**FUNCTIONS:**

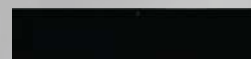


**FEATURES:**

- OBSIDIAN BLACK GLASS FINISH
- TOUCH CONTROL PANEL
- COFFEE BEAN GRINDER
- COFFEE BEAN CONTAINER (400 G)
- 2.5L WATER TANK
- GROUND COFFEE CONTAINER
- HEIGHT ADJUSTABLE DISPENSER
- STEAM SPOUT
- DRIP TRAY
- TELESCOPIC RAILS
- WATER HARDNESS SETTING
- COFFEE AND WATER REFILL INDICATORS
- GROUND COFFEE CONTAINER TO EMPTY INDICATOR
- CLEANING INDICATOR
- LIME SCALE FILTER INDICATOR

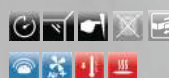
**DETAILS:**

- BLACK FRAMELESS
- WIDTH 594 MM
- HEIGHT 452 MM
- DEPTH 546 MM
- NBM00010800X



CODE: CMWD145B01  
**LIFE H145 NERO**

**FUNCTIONS:**



**FEATURES:**

- CAVITY SIZE:22L
- BLACK GLASS PANEL
- PUSH OPEN DOOR
- TOUCH CONTROL
- TIMER
- LED DISPLAY : WHITE LED DISPLAY
- QUICK TEMP SETTING MODE:
- 3 MODES:LOW, MED, KEEP WARM
- TOTAL CONNECTED LOAD:1000W

- FINISH
- TEMPERATURE
- VOLTAGE (V)
- FREQUENCY (HZ)
- RATED ELECTRICAL POWER
- POWER SUPPLY REQUIRED
- MAXIMUM CAPACITY
- FAN HEATER
- SMOOTH RUNNERS
- NON-SLIP SILICONE MAT
- BLACK
- 40 - 80 C
- 220 - 240 V
- 50 HZ
- 432
- 3A
- 25 KG

**DETAILS:**

- BLACK FRAMELESS
- WIDTH 596 MM
- HEIGHT 144 MM
- DEPTH 545 MM
- NBM0002335X



# OVENS



# COMBI FAMILY















## BUILT-IN ELECTRIC 60/90 SERIES



LARGO MM4TCM



LIFE STD1 MM4TCM



VISUAL 60



SUPREME 60



LIFE STD1 FM D6



LARGO PP FM



BAND TC NERO



SOUND



ELEMENT 60



LIFE STD1 FM



MARY NERO



NAPOLI MATT BLACK



ROCKY



ZEN 60



LIVE PP



SONG NERO



SONG INOX



SCREEN BLACK 100



SCREEN INOX 100



ELEGANT ELECTRIC



ARIA



## BUILT-IN ELECTRIC CLASSIC 60/90 SERIES



CLASSICO 60 IVORY



CLASSICO 60 BLACK



CLASSICO 60 WHITE



F9XL COUNTRY ELECTRIC IVORY



F9XL COUNTRY ELECTRIC BLACK

## BUILT-IN GAS 90 /60 SERIES



SKY



TIME F9XL FGS



GAIN



ELEGANT GAS



SKYPE



ELECTRIC



CODE : OVE6015002

### LIFE STD1 MM4TCM

#### FUNCTIONS:



REF : CMLFBKM60E

#### FEATURES:

- MULTIFUNCTION ELECTRIC OVEN
- 15 COOKING FUNCTIONS
- 15 MODES
- 71L GROSS CAPACITY
- A++ ENERGY CLASS
- PIZZA FUNCTION
- DEFROST FUNCTION
- BOOST TO RAPID REACH
- SELF-CLEANING
- CLEAN ASSISTED CYCLE
- COOLING FAN

- INSIDE CAVITY WITH ENAMELLED MOULDED SIDES
- FULL INNER DOOR GLASS
- TRIPLE GLAZED DOOR
- 1 GRILL SHELF
- 1 BAKING TRAY

#### DETAILS:

- BLACK GLASS
- FRAMELESS
- WIDTH 595 MM
- HEIGHT 590 MM
- DEPTH 540 MM
- NBM0004895X



CODE : OVE6015001

### LARGO MM4TCM

#### FUNCTIONS:



REF : CMLAM0E60E

#### FEATURES:

- MULTIFUNCTION ELECTRIC OVEN
- 15 COOKING FUNCTIONS
- 15 MODES
- 71L GROSS CAPACITY
- A++ ENERGY CLASS
- PIZZA FUNCTION
- DEFROST FUNCTION
- BOOST TO RAPID REACH
- SELF-CLEANING
- CLEAN ASSISTED CYCLE
- COOLING FAN

- INSIDE CAVITY WITH ENAMELLED MOULDED SIDES
- FULL INNER DOOR GLASS
- TRIPLE GLAZED DOOR
- 1 GRILL SHELF
- 1 BAKING TRAY

#### DETAILS:

- INOX
- FRAMELESS
- WIDTH 594 MM
- HEIGHT 594 MM
- DEPTH 535 MM
- NBM0004975X



ELECTRIC



CODE: OVE6009003

**VISUAL 60**

**FUNCTIONS:**



REF: N075STD

**FEATURES:**

- MULTIFUNCTION ELECTRIC OVEN
- ENERGY GLASS
- 9 COOKING FUNCTIONS
- 78L GROSS CAPACITY
- PIZZA FUNCTION
- TOUCH CONTROL
- TIMER
- COOLING FAN
- BRUSHED & OXIDIZED GLOSS BLACK GLASS

EASY TO CLEAN ENAMEL CAVITY

FULL OVEN GLASS

TRIPLE GLAZED DOOR

1 GRILL SHELF

1 BAKING TRAY

**DETAILS:**

■ BLACK GLASS  
FRAMELESS

WIDTH 595 MM  
HEIGHT 595 MM  
DEPTH 575 MM

NBM0003645X



CODE: OVE6009004

**SUPREME 60**

**FUNCTIONS:**



REF: B0112

**FEATURES:**

- MULTIFUNCTION ELECTRIC OVEN
- ENERGY GLASS
- 9 COOKING FUNCTIONS
- 78L GROSS CAPACITY
- PIZZA FUNCTION
- KNOB CONTROL
- TIMER
- COOLING FAN
- BRUSHED & OXIDIZED GLOSS BLACK GLASS

EASY TO CLEAN ENAMEL CAVITY

FULL OVEN DOOR GLASS

TRIPLE GLAZED DOOR

1 GRILL SHELF

1 BAKING TRAY

**DETAILS:**

■ BLACK GLASS  
FRAMELESS

WIDTH 595 MM  
HEIGHT 595 MM  
DEPTH 575 MM

NBM0003325X



ELECTRIC



CODE: OVE6009005

### LIFE STD1 FM DG

#### FUNCTIONS:



REF: CMLFBK960ED

#### FEATURES:

- MULTIFUNCTION ELECTRIC OVEN
- 9 COOKING FUNCTIONS
- 71L GROSS CAPACITY
- A ENERGY CLASS
- DIGITAL TIMER
- MINUTE MINDER 0-60'
- COOLING FAN
- TOUCH & KNOB CONTROL

- INSIDE CAVITY WITH
- BLACK ENAMELLED MOULDED SIDES
- ENAMELLED METAL INTERIOR DOOR
- DOUBLE GLAZED DOOR
- 1 GRILL SHELF
- 1 BAKING TRAY

#### DETAILS:

- BLACK GLASS
- FRAMELESS
- WIDTH 595 MM
- HEIGHT 590 MM
- DEPTH 540 MM
- NBM0003650X



CODE: OVE6009006

### LARGO PP FM

#### FUNCTIONS:



REF CMLAPST60E

#### FEATURES:

- MULTIFUNCTION ELECTRIC OVEN
- 9 COOKING FUNCTIONS
- 71L GROSS CAPACITY
- A ENERGY CLASS
- TOUCH CONTROL DIGITAL TIMER
- COOLING FAN
- TOUCH & KNOB CONTROL

- INSIDE CAVITY WITH
- BLACK ENAMELLED SMOOTH SIDES
- FULL INNER DOOR GLASS
- DOUBLE GLAZED DOOR
- PUSH / PULL KNOBS
- WITH SIDE RACKS
- 1 GRILL SHELF
- 1 BAKING TRAY

#### DETAILS:

- INOX
- FRAMELESS
- WIDTH 594 MM
- HEIGHT 594 MM
- DEPTH 535 MM
- NBM0003450X



ELECTRIC



CODE:OVE6012007

**BAND TC NERO**

**FUNCTIONS:**



**FEATURES:**

- MULTIFUNCTION ELECTRIC OVEN
- 12 COOKING FUNCTIONS WITH FAN
- ROTISSERIE
- 65L GROSS CAPACITY
- A ENERGY CLASS
- TOUCH CONTROL
- 24H LED DISPLAY
- ENAMELLED CAVITY WITH SIDE RACKS

- ENAMELLED METAL INTERIOR DOOR
- GRILL SHELVES WITH SAFETY STOPPER
- FULL STANDARD GLASS
- 2 LAYERS GLASS DOOR
- 1 BULB
- 1 GRILL SHELF
- 1 BAKING TRAY

**DETAILS:**

- BLACK GLASS
- FRAMELESS
- WIDTH 595 MM
- HEIGHT 595 MM
- DEPTH 575 MM
- NBM0002600X



CODE: OVE6010008

**SOUND**

**FUNCTIONS:**



**FEATURES:**

- MULTIFUNCTION ELECTRIC OVEN
- 10 COOKING FUNCTIONS
- 65L GROSS CAPACITY
- A ENERGY CLASS
- PURE BLACK TOUCH CONTROL PANEL
- FULL TOUCH CONTROL
- 24H RED LED DISPLAY PANEL
- WITH CONVECTION FAN

- ENAMELLED CAVITY WITH SIDE RACKS
- GRILL SHELVES WITH SAFETY STOPPER
- 2 LAYER GLASS DOOR
- 1 BAKING TRAY
- 1 GRILL SHELF

**DETAILS:**

- BLACK GLASS
- FRAMELESS
- WIDTH 595 MM
- HEIGHT 595 MM
- DEPTH 575 MM
- NBM0002500X



ELECTRIC



CODE: OVE6010009

### ELEMENT 60

#### FUNCTIONS:



#### FEATURES:

- MULTIFUNCTION ELECTRIC OVEN
- 10 COOKING FUNCTIONS
- 65L GROSS CAPACITY
- FULL TOUCH CONTROL
- 24H LED DISPLAY TIMER
- WITH CONVECTION FAN
- MINUTE MINDER 0-60'
- ENAMELLED CAVITY WITH SIDE RACKS
- SS EDGE WITH BLACK GLASS PANEL & DOOR
- 1 GRILL SHELF
- 1 BAKING TRAY
- CHILD LOCK

#### DETAILS:

- STAINLESS STEEL FRAME

WIDTH 595 MM  
 HEIGHT 595 MM  
 DEPTH 530 MM  
 NBM0002300X



CODE: OVE6009010

### LIFE STD1 FM

#### FUNCTIONS:



REF: CMLFBK960E

#### FEATURES:

- MULTIFUNCTION ELECTRIC OVEN
- 9 COOKING FUNCTIONS
- 71L GROSS CAPACITY
- A ENERGY CLASS
- MINUTE MINDER 0-60'
- COOLING FAN
- CAVITY WITH BLACK ENAMELLED SMOOTH SIDES
- ENAMELLED METAL INTERIOR DOOR
- DOUBLE GLAZED DOOR
- 3 CONTROL KNOBS
- 1 GRILL SHELF
- 1 BAKING TRAY

#### DETAILS:

- BLACK GLASS FRAMELESS

WIDTH 595 MM  
 HEIGHT 590 MM  
 DEPTH 540 MM  
 NBM0002700X



ELECTRIC



CODE: OVE6009011

**MARY NERO**

**FUNCTIONS:**



**FEATURES:**

- MULTIFUNCTION ELECTRIC OVEN
- 9 COOKING FUNCTIONS WITH FAN
- 80L GROSS CAPACITY
- A ENERGY CLASS
- POP IN/ POP OUT BLACK KNOBS
- THERMOSTAT
- AUTO IGNITION
- COOLING FAN
- DIGITAL TIMER 6 BUTTONS
- DOUBLE DOOR OVEN GLASS (REMOVABLE GLASS )
- SOFT CLOSE DOOR
- 24H LED TIMER
- TURBO FAN WITH GRILL
- EASY TO CLEAN
- OVEN LAMP
- 1 GRILL SHELF
- 1 BAKING TRAY

**DETAILS:**

- MATT FINISH
- FRAMELESS
- WIDTH 595 MM
- HIGHT 585 MM
- DEPTH 535 MM
- NBM0002545X



LIGHT GREY  
NBM0001295X



CODE: OVE6006012

**NAPOLI MATTE**

**FUNCTIONS:**



**FEATURES:**

- MULTIFUNCTION ELECTRIC OVEN
- 6 COOKING FUNCTIONS WITH FAN
- 80L GROSS CAPACITY
- A ENERGY CLASS
- FULL MATT OVEN
- THERMOSTAT
- AUTO IGNITION
- COOLING FAN
- MATT PARIS KNOBS
- DIGITAL TIMER FULL TOUCH CONTROL
- DOUBLE DOOR OVEN GLASS (REMOVABLE GLASS DOOR )
- 24H LED TIMER
- EASY TO CLEAN
- OVEN LAMP
- 1 GRILL SHELF
- 1 BAKING TRAY

**DETAILS:**

- MATT FINISH
- FRAMELESS
- WIDTH 595 MM
- HIGHT 585 MM
- DEPTH 535 MM
- NBM0002050X



LIGHT MATTE BLACK  
NBM0001295X



ELECTRIC



CODE: OVE6009017

## ROCKY

### FUNCTIONS:



### FEATURES:

MULTIFUNCTION ELECTRIC OVEN  
9 COOKING FUNCTIONS WITH FAN  
65L GROSS CAPACITY  
A ENERGY CLASS  
TOUCH AND KNOB CONTROL  
24H LED TIMER  
EASY TO CLEAN

ENAMELLED CAVITY WITH SIDE RACKS  
GRILL SHELVES WITH SAFETY STOPPER  
DOUBLE DOOR OVEN GLASS (REMOVABLE GLASS DOOR)  
1 GRILL SHELF  
1 BAKING TRAY

### DETAILS:

■ BLACK GLASS

WIDTH 595 MM  
HIGHT 595 MM  
DEPTH 530 MM

NBM0001850X





ELECTRIC



CODE: OVE6009013

### ZEN 60

#### FUNCTIONS:



#### FEATURES:

- MULTIFUNCTION ELECTRIC OVEN
- 9 COOKING FUNCTIONS WITH FAN
- 65L GROSS CAPACITY
- A ENERGY CLASS
- TOUCH AND KNOB CONTROL
- 24H LED TIMER
- EASY TO CLEAN

- ENAMELLED CAVITY WITH SIDE RACKS
- GRILL SHELVES WITH SAFETY STOPPER
- DOUBLE DOOR OVEN GLASS (REMOVABLE GLASS DOOR)
- 1 GRILL SHELF
- 1 BAKING TRAY

#### DETAILS:

- BLACK GLASS
- FRAMELESS
- WIDTH 595 MM
- HIGHT 595 MM
- DEPTH 530 MM
- NBM0001950X



CODE: OVE6009014

### LIVE PP INOX

#### FUNCTIONS:



#### FEATURES:

- MULTIFUNCTION ELECTRIC OVEN
- 9 COOKING FUNCTIONS WITH FAN
- 65L GROSS CAPACITY
- A ENERGY CLASS
- STAINLESS STEEL CONTROL PANEL
- TOUCH & KNOBS CONTROL
- 24H LED TIMER
- CONVECTION FAN
- ENAMELLED CAVITY WITH SIDE RACKS
- GRILL SHELVES WITH SAFETY STOPPER
- DOUBLE DOOR OVEN GLASS (REMOVABLE GLASS DOOR)
- PUSH / PULL KNOB
- 1 GRILL SHELF
- 1 BAKING TRAY

#### DETAILS:

- INOX
- FRAMELESS
- WIDTH 595 MM
- HIGHT 595 MM
- DEPTH 530 MM
- NBM0001700X



ELECTRIC



CODE: OVE6005015

### SONG 60 NERO

#### FUNCTIONS:



#### FEATURES:

- MULTIFUNCTION ELECTRIC OVEN
- 5 COOKING FUNCTIONS
- 65L GROSS CAPACITY
- A ENERGY CLASS
- MECHANICAL CONTROL
- WITH CONVECTION FAN
- EMBOSSSED ENAMEL CAVITY
- DOUBLE DOOR OVEN GLASS (REMOVABLE GLASS DOOR)
- EASY TO CLEAN
- 3 AESTHETICS KNOBS
- 1 GRILL SHELF
- 1 BAKING TRAY

#### DETAILS:

■ BLACK  
FRAMELESS  
WIDTH 595 MM  
HIGHT 595 MM  
DEPTH 530 MM

NBM0001550X



CODE: OVE6005016

### SONG 60 INOX

#### FUNCTIONS:



#### FEATURES:

- MULTIFUNCTION ELECTRIC OVEN
- 5 COOKING FUNCTIONS
- 65L GROSS CAPACITY
- A ENERGY CLASS
- MECHANICAL CONTROL
- WITH CONVECTION FAN
- STAINLESS STEEL CONTROL PANEL AND GLASS DOOR
- ENAMELLED CAVITY WITH SIDE RACKS
- ALUMINUM HANDLE
- EASY TO CLEAN
- 3 KNOBS
- 1 GRILL SHELF
- 1 BAKING TRAY

#### DETAILS:

■ INOX  
FRAMELESS  
WIDTH 595 MM  
HIGHT 595 MM  
DEPTH 530 MM

NBM0001350X





ELECTRIC



CODE: OVE9009001

### SCREEN BLACK 100

#### FUNCTIONS:



#### FEATURES:

- 90CM BUILT-IN ELECTRICAL OVEN
- MODEL NO.: SCREEN NERO
- 100 LITER,
- 2 KNOBS
- 9 FUNCTIONS
- ROTISSERIE
- SIDE RACK
- ALUMINUM BLACK HANDLE
- TOUCH DIGITAL TIMER
- POWER CORD WITHOUT PLUG

- INSIDE CAVITY WITH BLACK ENAMELLED SMOOTH SIDES
- FULL INNER GLASS DOOR
- DOUBLE GLAZED DOOR
- GRILL PROTECTOR
- WITH SIDE RACKS
- 1 GRILL SHELF
- 1 BAKING TRAY

#### DETAILS:

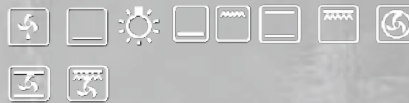
- BLACK
- FRAMELESS
- WIDTH 895 MMB
- HEIGHT 472 MM
- DEPTH 546MM
- NBM0003450X



CODE: OVE9009002

### SCREEN INOX 100

#### FUNCTIONS:



#### FEATURES:

- 90CM BUILT-IN ELECTRICAL OVEN
- MODEL NO.: SCREEN INOX
- 100 LITER,
- 2 KNOBS
- 9 FUNCTIONS
- ROTISSERIE
- SIDE RACK
- ALUMINUM HANDLE
- TOUCH DIGITAL TIMER
- POWER CORD WITHOUT PLUG

- INSIDE CAVITY WITH BLACK ENAMELLED SMOOTH SIDES
- FULL INNER GLASS DOOR
- DOUBLE GLAZED DOOR
- GRILL PROTECTOR
- WITH SIDE RACKS
- 1 GRILL SHELF
- 1 BAKING TRAY

#### DETAILS:

- INOX
- FRAMELESS
- WIDTH 895 MM
- HEIGHT 472 MM
- DEPTH 546 MM
- NBM0003550X



ELECTRIC



CODE: OVE9010003

### ARIA

#### FUNCTIONS:



#### FEATURES:

MULTIFUNCTION ELECTRIC OVEN  
10 FUNCTIONS  
120L GROSS CAPACITY  
ROTISSERIE  
TOUCH TIMER  
THERMOSTAT  
2 LOWER AND UPPER GRILL TURBO RESISTANCE  
COOLING FAN  
2 TURBO FANS  
POP-UP KNOBS  
ENERGY GLASS  
STAINLESS STEEL FINISH  
LOW-E INTERIOR GLASS

#### SIDE RACKS

1 GRILL SHELF  
2 BAKING TRAY

#### DETAILS:

■ INOX  
FRAMELESS  
WIDTH 895 MM  
HEIGHT 595 MM  
DEPTH 565 MM

NBM0003900X



CODE: OVE9010004

### ELEGANT

#### FUNCTIONS:



#### FEATURES:

MULTIFUNCTION ELECTRIC OVEN  
10 FUNCTIONS  
120L GROSS CAPACITY  
ROTISSERIE  
TOUCH TIMER  
THERMOSTAT  
2 LOWER AND UPPER GRILL TURBO RESISTANCE  
COOLING FAN  
2 TURBO FANS  
POP-UP KNOB  
ENERGY GLASS  
DOUBLE FULL BLACK GLASS DOOR  
LOW-E INTERIOR GLASS

#### SIDE RACKS

1 GRILL SHELF  
2 BAKING TRAY

#### DETAILS:

■ BLACK  
FRAMELESS  
WIDTH 895 MM  
HEIGHT 595 MM  
DEPTH 565 MM

NBM0003700X









CM

# CLASSICO



ELECTRIC



CODE: OVE6008019

### CLASSICO WHITE



CODE: OVE6008018

### CLASSICO BLACK

#### FUNCTIONS:



#### FEATURES:

MULTIFUNCTION ELECTRIC OVEN  
 65L GROSS CAPACITY  
 8 COOKING FUNCTIONS WITH FAN  
 DIGITAL TIMER WITH DISPLAY  
 SET COOKING TIME TO 23HRS 59MINS  
 50-250°C TEMPERATURE RANGE  
 COOLING SYSTEM

VENTILATION SYSTEM TO PROTECT THE CUPBOARD  
 DUAL GLAZED OVEN DOOR  
 1 GRILL SHELF  
 1 BAKING TRAY

#### DETAILS:

■ WHITE  
 FRAMELESS  
 WIDTH 597 MM  
 HEIGHT 590 MM  
 DEPTH 525 MM  
 NBM0002695X

#### FUNCTIONS:



#### FEATURES:

MULTIFUNCTION ELECTRIC OVEN  
 65L GROSS CAPACITY  
 8 COOKING FUNCTIONS WITH FAN  
 DIGITAL TIMER WITH DISPLAY  
 SET COOKING TIME TO 23HRS 59MINS  
 50-250°C TEMPERATURE RANGE  
 COOLING SYSTEM

VENTILATION SYSTEM TO,  
 PROTECT THE CUPBOARD  
 TRIPLE GLAZED OVEN DOOR  
 1 GRILL SHELF  
 1 BAKING TRAY

#### DETAILS:

■ BLACK  
 FRAMELESS  
 WIDTH 597 MM  
 HEIGHT 590 MM  
 DEPTH 525 MM  
 NBM0002695X

**CM**



CODE: OVE6008017

### **CLASSICO IVORY**

#### **FUNCTIONS:**



#### **FEATURES:**

MULTIFUNCTION ELECTRIC OVEN

65L GROSS CAPACITY

8 COOKING FUNCTIONS WITH FAN

DIGITAL TIMER WITH DISPLAY

SET COOKING TIME TO 23HRS 59MINS

50-250°C TEMPERATURE RANGE

COOLING SYSTEM

VENTILATION SYSTEM TO PROTECT THE CUPBOARD

DUAL GLAZED OVEN DOOR

1.2M POWER CORD WITH PLUG

#### **DETAILS:**

■ IVORY  
FRAMELESS

WIDTH 597 MM

HEIGHT 590 MM

DEPTH 525 MM

NBM0002695X



# ELECTRIC



CODE: OVE9009005

## F9XL COUNTRY IVORY



CODE: OVE9009006

## F9XL COUNTRY BLACK

### FUNCTIONS:



REF: CMCOUN90IVO

### FEATURES:

- MULTIFUNCTION ELECTRIC OVEN
- 120L GROSS CAPACITY
- 9 COOKING FUNCTIONS
- ENERGY CLASS A
- ELECTRONIC CLOCK ANALOGIC PROGRAM

- COUNTRY ANTIQUE BRONZE HANDLE
- COUNTRY ANTIQUE BRONZE KNOBS
- FULL GLASS INNER DOOR
- DOUBLE GLAZING
- EASY TO CLEAN ENAMEL INTERIOR
- 1 GRILL SHELF
- 1 BAKING TRAY

### DETAILS:

- IVORY
- FRAMELESS
- WIDTH 895 MM
- HEIGHT 590 MM
- DEPTH 545 MM

NBM0005950X

### FUNCTIONS:



REF: CMCOUN90BLK

### FEATURES:

- MULTIFUNCTION ELECTRIC OVEN
- 120L GROSS CAPACITY
- 9 COOKING FUNCTIONS
- ENERGY CLASS A
- ELECTRONIC CLOCK ANALOGIC PROGRAM

- COUNTRY ANTIQUE BRONZE HANDLE
- COUNTRY ANTIQUE BRONZE KNOBS
- FULL GLASS INNER DOOR
- DOUBLE GLAZING
- EASY TO CLEAN ENAMEL INTERIOR
- 1 GRILL SHELF
- 1 BAKING TRAY

### DETAILS:

- BLACK GLASS
- FRAMELESS
- WIDTH 895 MM
- HEIGHT 590 MM
- DEPTH 545 MM

NBM0005950X





GAS



CODE: OVG9004001

**TIME F9 XL FGS**



CODE: OVG9004002

**GAINT 90**

**FUNCTIONS:**



CODE: CMTIST190G

**FEATURES:**

- MULTIFUNCTION GAS OVEN
- 120L GROSS CAPACITY TWO TIME
- GAS OVEN WITH GAS GRILL
- 4 COOKING FUNCTIONS AND TURNSPIT
- TOP KNOB CONTROL
- ROTISSERIE
- A ENERGY CLASS
- MINUTE MINDER 0-60'
- COOLING FAN
- FULL INNER GLASS DOOR
- DOUBLE GLAZED DOOR
- SIDE RACKS
- 1 GRILL SHELF
- 1 BAKING TRAY

**DETAILS:**

- INOX
- FRAMELESS
- WIDTH 895 MM
- HEIGHT 594 MM
- DEPTH 554 MM
- NBM0004400X

**FUNCTIONS:**



**FEATURES:**

- MECHANICAL TIMER
- 110 LT NET VOLUME
- A ENERGY CLASS
- GAS OVEN WITH GAS GRILL
- UP AND DOWN BURNERS IN THE OVEN
- BURNERS ARE ITALIAN CAST FUTURA
- BURNERS FFD (SAFETY DEVICE) FOR OVEN BURNERS IGNITION
- TURBO FAN MECHANICAL TIMER
- BLACK ENAMEL CAVITY (EASY TO CLEAN ENAMEL)
- SIDE WIRE RACKS
- OVEN LAMP (2 PCS)
- FULL INNER GLASS DOOR
- DOUBLE GLAZED DOOR
- SIDE RACKS
- 1 GRILL SHELF
- 1 DEEP TRAY

**DETAILS:**

- INOX
- FRAMELESS
- WIDTH 895 MM
- HEIGHT 594 MM
- DEPTH 554 MM
- NBM0003750X



CODE: OVG9010004

## ELEGANT GAS

### FUNCTIONS:



### FEATURES:

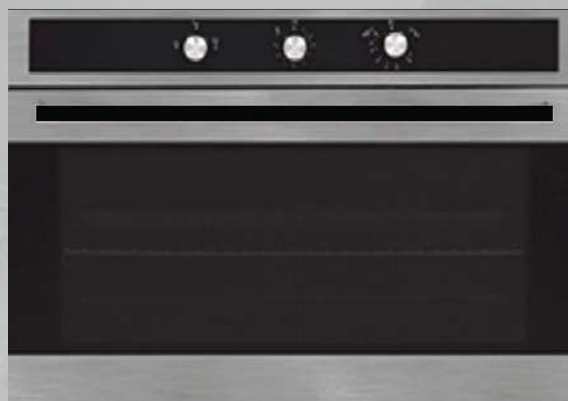
MULTIFUNCTION GAS OVEN  
 4 FUNCTIONS  
 120L GROSS CAPACITY  
 ROTISSERIE  
 DIGITAL TOUCH TIMER  
 THERMOSTAT  
 FLAME FAILURE DEVICE  
 AUTO IGNITION  
 2 LOWER AND UPPER GRILL TURBO RESISTANCE  
 COOLING FAN  
 TURBO FANS  
 2 KNOBS

DOUBLE FULL BLACK GLASS DOOR

SIDE RACKS  
 1 GRILL SHELF  
 2 BAKING TRAY

### DETAILS:

■ BLACK  
 FRAMELESS  
 WIDTH 895 MM  
 HEIGHT 595 MM  
 DEPTH 565 MM  
 NBM0003850X



CODE: OVG9004003

## SKYPE

### FUNCTIONS:



### FEATURES:

MULTIFUNCTION GAS OVEN  
 120L GROSS CAPACITY  
 GAS OVEN WITH GAS GRILL  
 LOWER AND UPPER GAS BURNER  
 4 FUNCTIONS  
 MECHANICAL TIMER  
 FLAME FAILURE DEVICE  
 AUTO IGNITION  
 ROTISSERIE  
 COOLING FAN  
 TURBO FAN

DOUBLE GLASS OVEN DOOR

SIDE RACKS  
 1 GRILL SHELF  
 2 BAKING TRAY

### DETAILS:

■ INOX  
 FRAMELESS  
 WIDTH 895 MM  
 HEIGHT 595 MM  
 DEPTH 565 MM  
 NBM0003650X



CODE: OVG6004001

## SKY

### FUNCTIONS:



### FEATURES:

MULTIFUNCTION GAS OVEN  
65L GROSS CAPACITY  
GAS OVEN WITH GAS GRILL  
4 FUNCTIONS  
ROTISSERIE  
AUTO IGNITION  
THERMOSTATIC CONTROL  
AUTO COOLING FAN  
MECHANIC MINDER'

DOUBLE GLASS OVEN GLASS DOOR  
THERMO-REFLECTIVE INNER DOOR  
INOX CAPPED KNOBS  
1 CHROME WIRE GRID  
1 DEEP TRAY

### DETAILS:

■ INOX  
FRAMELESS  
WIDTH 595 MM  
HEIGHT 595 MM  
DEPTH 565 MM  
NBM0001525X

GAS

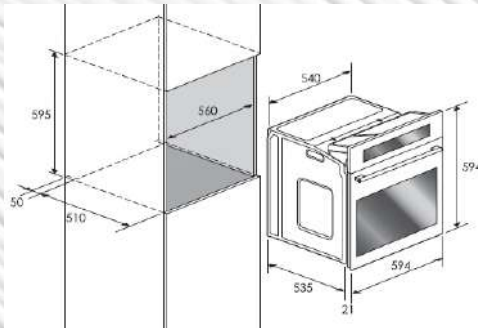




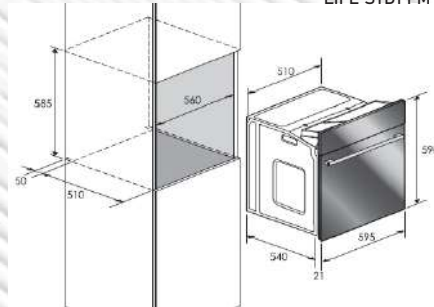


# INSTALLATION DIAGRAM

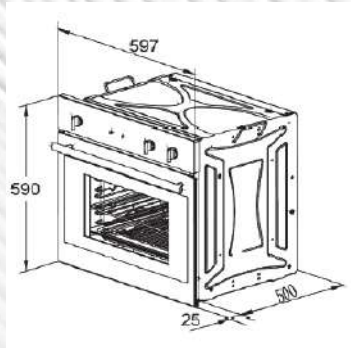
LARGO MM4TCM,  
LARGO PP FM,  
TIME STD1 FS 50 CA



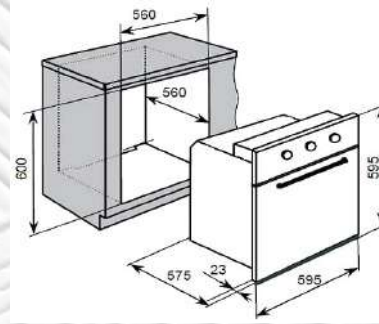
LIFE STD1 MM4TCM,  
LIFE STD1 FM



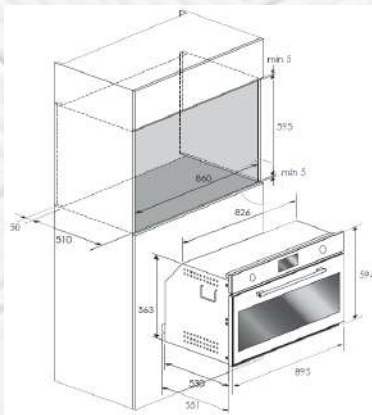
CLASSICO IVORY 60, CLASSICO BLACK 60



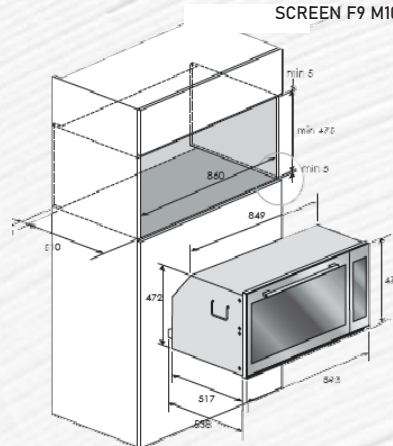
SOUND, BAND TC NERO, ELEMENT 60



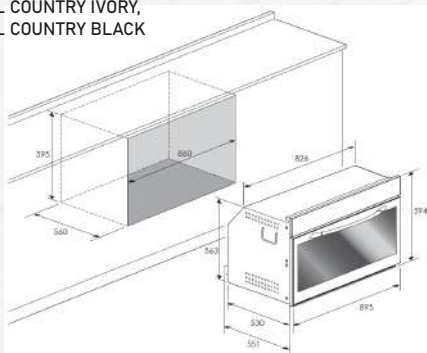
TIME F9 XL, TIME F9 XL FG5



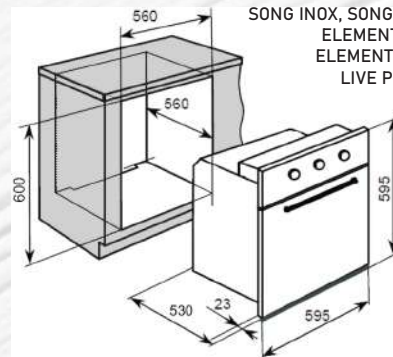
SCREEN F9 M105



F9 XL COUNTRY IVORY,  
F9 XL COUNTRY BLACK



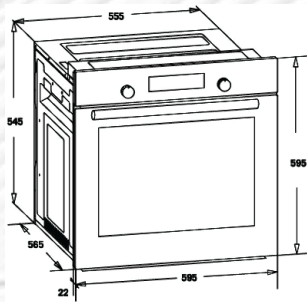
SONG INOX, SONG NERO,  
ELEMENT INOX,  
ELEMENT NERO,  
LIVE PP INOX



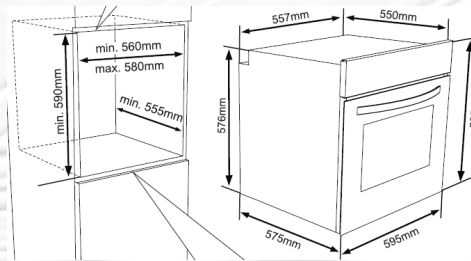


# INSTALLATION DIAGRAM

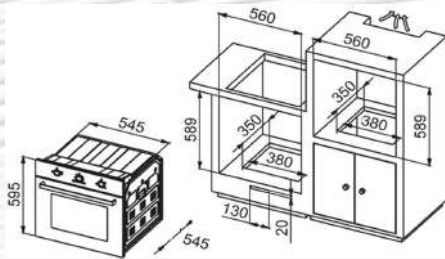
SKY 60



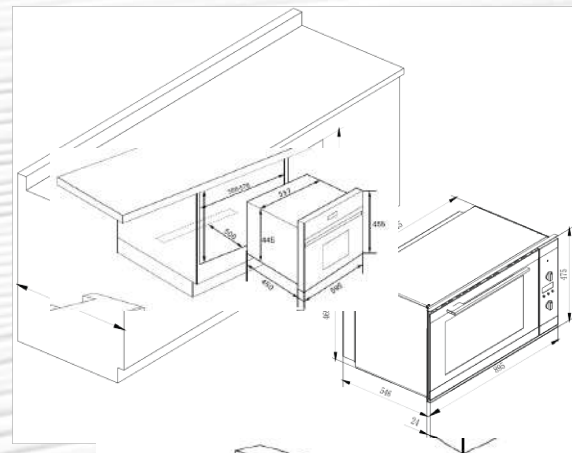
LIFE 60, VISTA 60



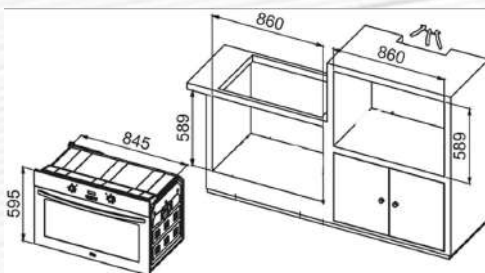
SKYPE



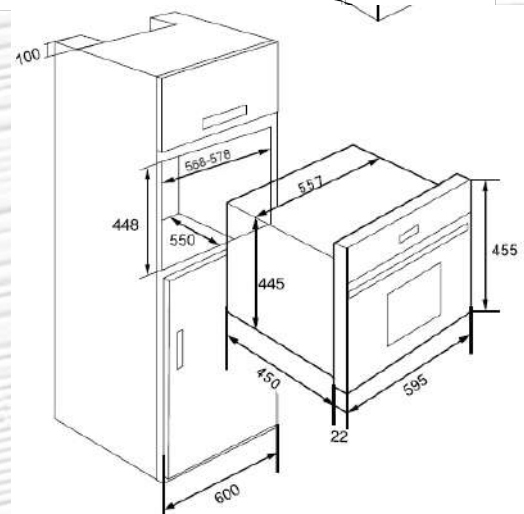
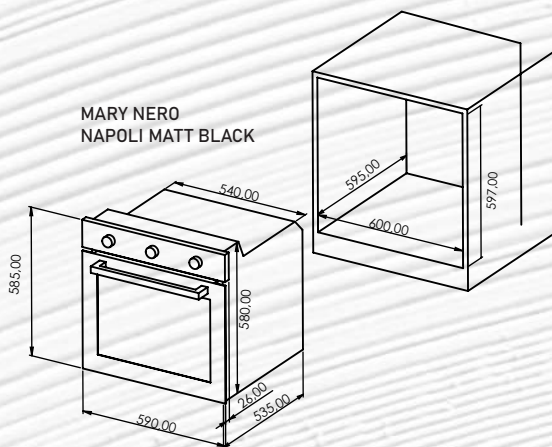
SCREEN NERO, INOX



ARIA, ELEGANT 90













MARY NERO  
NAPOLI MATT BLACK





## TECHNICAL FEATURE






MODEL NAME	 LARGO MM4TCM	 LIFE STD1 MM4TCM	 VISUAL 60	 SUPREME 60	 LIFE STD1 FM DG
<b>SPECIFICATIONS</b>					
COLOR FINISH	STAINLESS STEEL	BLACK	BLACK	BLACK	BLACK
GROSS CAPACITY (L)	71	71	75	75	65
VOLTAGE (V)	220-240	220-240	230	230	220-240
FREQUENCY (HZ)	50-60	50-60	50-60	50-60	50-60
ENERGY CLASS	A+	A+	A+	A+	A+
ENERGY CONSUMPTION (KWH)	0.93/0.50	0.93/0.50	-	-	-
<b>DIMENSIONS</b>					
EXTERNAL (MM)	594 X 594 X 535	595 X 590 X 540	595 X 595 X 575	595 X 595 X 575	595 X 590 X 540
<b>DETAILS</b>					
INNER CAVITY MM ( W X H X D)	465 X 365 X 419	465 X 365 X 419	450 X 392 X 413	450 X 392 X 413	465 X 365 X 419
PACKING BOX MM ( W X H X D)	650 X 665 X 570	650 X 665 X 570	680 X 640 X 630	680 X 640 X 630	650X665X570
MAXIMUM NOMINAL POWER (W)	3500	3500	2600	2600	3500
WEIGHT GROSS/NET (KG)	47/44	47/44	38.5kg / 36kg	38.5kg / 36kg	47/44
NET (WXHXD)G	595 X 585 X 535	595 X 585 X 535	595x 575 X 595	595x 575 X 595	595 X 585 X 535
INNER LIGHT	1 BULB	1 BULB	1 BULB	1 BULB	1 BULB
CUT OUT (W X H X D)	560 X 595 X 510	560 X 595 X 510	560 X 600 X 580	560 X 600 X 580	560 X 595 X 510
<b>SAFETY</b>					
GLAZED DOOR	3	3	-	2	2
CHILDREN SAFETY	YES	-	-	-	-
GRILL PROTECTOR	-	YES	YES	-	-
SAFETY THERMOSTAT	-	YES	-	-	-
<b>ACCESSORIES</b>					
BAKING TRAY	1	1	1	1	1
DEEP TRAY (50 MM)	-	-	-	-	-
CHROME GRID	1	1	-	1	1
TRAY HANDLE	-	-	-	-	-
<b>POWER CONSUMPTION</b>					
TURBO (W)	2200	2200	2600	2600	-
GRILL (W)	1200	1200	1400	1400	1200
TRADITIONAL (W)	2100	2100	-	-	-
MULTIFUNCTION MOTOR (W)	20	20	23	23	20
BOTTOM HEAT (W)	1100	1100	1100	1100	1100
COOLING FAN MOTOR (W)	18	10	23	23	18
TOP HEATING ELEMENT (W)	1100	1300	1200	1200	-
CONVECTION ELEMENT (W)	1800	1800	-	-	-
DOUBLE GRILL THERMOSTATIC (W)	-	2600	2600	2600	-
FAN WITH RING HEATING ELEMENT (W)	-	2000	2000	2000	-

MODEL NAME	 LARGO PP FM	 BAND TC NERO	 SOUND	 ELEMENT 60 INOX	 LIFE STD1 FM
<b>SPECIFICATIONS</b>					
COLOR FINISH	STAINLESS STEEL	BLACK	BLACK	BLACK	BLACK
GROSS CAPACITY (L)	71	65	65	65	65
VOLTAGE (V)	220-240	220-240	220-240	220-240	220-240
FREQUENCY (HZ)	50-60	50-60	50-60	50-60	50-60
ENERGY CLASS	A+	A+	A+	A+	A+
ENERGY CONSUMPTION (KWH)	0.93/0.77	-	-	-	0.93/0.77
<b>DIMENSIONS</b>					
EXTERNAL (MM)	594 x 594 x 535	595 x 595 x 575	595 x 595 x 575	595 x 595 x 530	595 x 590 x 540
<b>DETAILS</b>					
INNER CAVITY MM (WXHxD)	450 x 440 x 335	450 x 440 x 335	450 x 440 x 335	450 x 440 x 335	450 x 440 x 335
PACKING BOX MM	650 X 665 X 570	650 x 665 x 580	650 x 665 x 580	650 X 665 X 570	650 x 665 x 570
MAXIMUM NOMINAL POWER (W)	2600	2900	2900	2900	3500
WEIGHT GROSS/NET (KG)	38.5kg / 36kg	33.0 Kg./30.5 Kg.	33.0 Kg./30.5 Kg.	33.0 Kg./30.5 Kg.	47/44
NET (WXHxD)G	595x 575 x 595	595x 575 x 595	595x 575 x 595	595 x 585 x 535	595 x 585 x 535
INNER LIGHT	1 BULB	1 BULB	1 BULB	1 BULB	1 BULB
CUT OUT (W X H X D)	560 x 600 x 580	560 x 600 x 580	560 x 600 x 580	560 x 600 x 580	560 x 595 x 510
<b>SAFETY</b>					
GLAZED DOOR	2	-	2	-	2
CHILDREN SAFETY	-	YES	YES	YES	-
GRILL PROTECTOR	YES	YES	YES	YES	YES
SAFETY THERMOSTAT	YES	YES	-	YES	YES
<b>ACCESSORIES</b>					
BAKING TRAY	1	1	YES	1	1
DEEP TRAY (50 MM)	-	-	-	-	-
CHROME GRID	1	-	-	-	1
TRAY HANDLE	-	-	-	-	-
<b>POWER CONSUMPTION</b>					
TURBO (W)	2200	1800	1800	1800	2200
GRILL (W)	1200	1600	1600	1600	1200
TRADITIONAL (W)	2100	1800	1800	1800	2100
MULTIFUNCTION MOTOR (W)	20	18	18	18	20
BOTTOM HEAT (W)	1100	900	900	900	1100
COOLING FAN MOTOR (W)	10	18	18	18	10
TOP HEATING ELEMENT (W)	1300	-	1300	-	1300
CONVECTION ELEMENT (W)	1800	-	1800	-	1800
MAXIMUM NOMINAL POWER (W)	-	2900	2900	2900	-
WEIGHT GROSS/NET (Kg)	-	33.0 KG./30.5	33.0 KG./30.5	33.0 KG./30.5	-




## TECHNICAL FEATURE


MODEL NAME	 MARY NERO	 NAPOLI MATT	 ZEN 60	 LIVE PP INOX	 SONG INOX	 SONG NERO
<b>SPECIFICATIONS</b>						
COLOR FINISH	BLACK	MATTE BLACK	BLACK	STAINLESS STEEL	STAINLESS STEEL	BLACK
GROSS CAPACITY (L)	80	80	65	65	65	65
VOLTAGE (V)	220-240	220-240	220-240	220-240	220-240	220-240
FREQUENCY (HZ)	50-60	50-60	50-60	50-60	50-60	50-60
ENERGY CLASS	A+	A+	A+	A+	A+	A+
ENERGY CONSUMPTION (KWH)	-	-	-	-	-	-
<b>DIMENSIONS</b>						
EXTERNAL (MM)	595 X 595 X 530	595 X 595 X 530	595 X 595 X 530	595 X 595 X 530	595 X 595 X 530	595 X 595 X 530
<b>FEATURES</b>						
INNER CAVITY (W X H X D)	500 X 375 X 430	500 X 375 X 430	450 X 440 X 335	450 X 440 X 335	450 X 440 X 335	450 X 440 X 335
PACKING BOX (W X H X D)	-	-	450x335X440	450x335X440	450x335X440	450x335X440
MAXIMUM NOMINAL POWER (W)	2968	2968	2900	2900	2200	2200
WEIGHT GROSS/NET (KG)	34kg / 31.5kg	35kg / 32.5kg	31.0 Kg./ 29 Kg.	31.0 Kg./ 29 Kg.	24.6 Kg. /22.7 Kg	24.6 Kg. /22.7 Kg
NET (WXHXD)G	590 X 535 X 585	590 X 535 X 585	650 X 665 X 570	650 X 665 X 580	650 X 665 X 580	650 X 665 X 580
INNER LIGHT	1 BULB	1 BULB	1 BULB	1 BULB	1 BULB	1 BULB
CUT OUT (W X H X D)	575 X 590 X 595	575 X 590 X 595	560 X 600 X 580	560 X 600 X 580	560 X 600 X 580	560 X 600 X 580
<b>SAFETY</b>						
GLAZED DOOR	N/A	N/A	-	N/A	-	-
CHILDREN SAFETY	YES	YES	-	-	-	-
GRILL PROTECTOR	-	-	-	YES	-	-
SAFETY THERMOSTAT	-	-	-	-	-	-
<b>ACCESSORIES</b>						
BAKING TRAY	1	1	1	1	1	1
DEEP TRAY (50 MM)	-	-	-	-	-	-
CHROME GRID	WIRE SHELF	WIRE SHELF	GRILL SHELF	-	-	GRILL SHELF
TRAY HANDLE	-	-	-	-	-	-
<b>POWER CONSUMPTION</b>						
TURBO (W)	2500	2500	1800	1800	-	-
GRILL (W)	1100	1100	1600	1600	1600	1600
TRADITIONAL (W)	-	-	-	-	-	-
MULTIFUNCTION MOTOR (W)	25	25	18	18	18	18
BOTTOM HEAT (W)	1800	1800	900	900	900	900
COOLING FAN MOTOR (W)	26	26	18	18	18	18
TOP HEATING ELEMENT (W)	-	-	1300	-	-	1300
CONVECTION ELEMENT (W)	-	-	1800	-	-	900
MAXIMUM NOMINAL POWER (W)	2993	2968	2900	2900	2200	2200
WEIGHT GROSS/NET (Kg)	34 KG	35KG	31.0 KG./ 29	31.0 KG./ 29		

MODEL NAME					
<b>SPECIFICATIONS</b>					
COLOR FINISH	BLACK	BLACK	STAINLESS STEEL	BLACK	BLACK
GROSS CAPACITY (L)	110	110	120	120	65
VOLTAGE (V)	220-240	220-240	220-240	220-240	220-240
FREQUENCY (HZ)	50-60	50-60	50-60	50-60	50-60
ENERGY CLASS	A	A	A	A	A+
ENERGY CONSUMPTION (KWH)	0.93/1.50	0.93/1.50	A	A	-
<b>DIMENSIONS</b>					
EXTERNAL (MM)	895 x 546 x 472	895 x 546 x 472	895 x 595 x 565	895 x 595 x 565	595 X 595 X 530
<b>DETAILS</b>					
INNER CAVITY MM (W X H X D)	675 x 347 x 425	675 x 347 x 425	760 x 380 x365	760 x 380 x365	450 X 440 X 335
PACKING BOX MM (W X H X D)	-	-	-	-	450x335x440
MAXIMUM NOMINAL POWER (W)	-	-	3467 W	3467 W	2900
WEIGHT GROSS/NET (KG)	-	-	53-49	53-49	31.0 Kg./ 29 Kg.
NET (WXHXD)G	895 x 482 x 565	895 x 482 x 565	895 x 595 x 565	895 x 595 x 565	650 X 665 X 570
INNER LIGHT	YES	YES	15 W	15 W	1 BULB
CUT OUT (W X H X D)	865 x 485 x 545	865 x 485 x 545	860 x 589 x 575	860 x 589 x 575	560 X 600 X580
<b>SAFETY</b>					
GLAZED DOOR	2	2	2	2	-
CHILDREN SAFETY	-	-	-	-	-
GRILL PROTECTOR	YES	YES	-	-	-
SAFETY THERMOSTAT	YES	YES	YES	YES	-
<b>ACCESSORIES</b>					
BAKING TRAY	1	1	2	2	1
DEEP TRAY (50 MM)	-	-	-	-	-
CHROME GRID	1	1	1	1	GRILL SHELF
TRAY HANDLE	-	-	-	-	-
<b>POWER CONSUMPTION</b>					
TURBO (W)	-	-	1250	1250	1800
GRILL (W)	-	-	2500	2500	1600
TRADITIONAL (W)	-	-	-	-	-
MULTIFUNCTION MOTOR (W)	-	-	15	-	18
BOTTOM HEAT (W)	-	-	1500	1500	900
COOLING FAN MOTOR (W)	-	-	22	22	18
TOP HEATING ELEMENT (W)	-	-	1900	1900	1300
CONVECTION ELEMENT (W)	-	-	-	-	1800



## TECHNICAL FEATURE

MODEL NAME	 CLASSICO IV	 CLASSICO BK	 CLASSICO WHT	 F9XL COUNTRY E	 F9XL COUNTRY E
<b>SPECIFICATIONS</b>					
COLOR FINISH	IVORY	BLACK	WHITE	BLACK	BEIGE
GROSS CAPACITY (L)	65	65	65	120	120
VOLTAGE (V)	220-240	220-240	220-240	220-240	220-240
FREQUENCY (HZ)	50-60	50-60	50-60	50-60	50-60
ENERGY CLASS	A+	A+	A+	-	-
ENERGY CONSUMPTION (KWH)	-	-	-	-	-
<b>DIMENSIONS</b>					
EXTERNAL (MM) (W X H X D)	597 X 590 X 525	597 X 590 X 525	597 X 590 X 525	895 X 590 X 545	895 X 590 X 545
<b>DETAILS</b>					
INNER CAVITY MM (W X H X D)	445 x 395 x 359	445 x 395 x 359	445 x 395 x 359	760 X 345 x 401	760 X 345 x 401
PACKING BOX MM (W X H X D)	650 x 665 x 570	650 x 665 x 570	650 x 665 x 570	895 X 535 X 590	895 X 535 X 590
NET (WXHXD)G	595 X 585 X 535	595 X 585 X 535	595 X 585 X 535	895 X 535 X 590	895 X 535 X 590
CUT OUT (W X H X D)	597 X 590 X 500	597 X 590 X 500	597 X 590 X 500	895 x 560 x 595	895 x 560 x 595
MAXIMUM NOMINAL POWER (W)	3500	3500	3500	3467 W	3467 W
INNER LIGHT	1 Bulb	1 Bulb	1 Bulb	1 Bulb	1 Bulb
WEIGHT GROSS/NET (KG)	47/44	47/44	47/44	-	-
<b>SAFETY</b>					
GLAZED DOOR	3	3	3	-	-
CHILDREN SAFETY	-	-	-	-	-
GRILL PROTECTOR	-	-	-	-	-
SAFETY THERMOSTAT	-	-	-	-	-
<b>ACCESSORIES</b>					
BAKING TRAY	YES	YES	YES	1	1
DEEP TRAY (50 MM)	YES	YES	YES	-	-
CHROME GRID	YES	YES	YES	-	-
TRAY HANDLE	YES	YES	YES	-	-
<b>POWER CONSUMPTION</b>					
TURBO (W)	2200	2200	2200	-	-
GRILL (W)	1200	1200	1200	-	-
TRADITIONAL (W)	-	-	-	-	-
MULTIFUNCTION MOTOR (W)	20	20	20	-	-
BOTTOM HEAT (W)	1100	1100	1100	-	-
COOLING FAN MOTOR (W)	18	18	18	-	-
TOP HEATING ELEMENT (W)	-	-	-	-	-
CONVECTION ELEMENT (W)	-	-	-	-	-

MODEL NAME					
<b>SPECIFICATIONS</b>					
COLOR FINISH	STAINLESS STEEL	BLACK GLASS	STAINLESS STEEL	STAINLESS STEEL	STAINLESS STEEL
GROSS CAPACITY (L)	120	120	120	65	110
VOLTAGE (V)	220-240	220-240	220-240	220-240	220-240
FREQUENCY (HZ)	50-60	50-60	50-60	50-60	50-60
ENERGY CLASS	A <sup>+</sup>	A <sup>+</sup>	A <sup>+</sup>	-	A <sup>+</sup>
ENERGY CONSUMPTION (KWH)	2.0/7.2	A	A	-	2.0/7.2
<b>DIMENSIONS</b>					
EXTERNAL (MM) (W X H X D)	895 X 594 X 554	895 X 595 X 565	895 X 595 X 565	595 X 595 X 565	895 X 594 X 554
<b>DETAILS</b>					
INNER CAVITY MM (W X H X D)	-	760 x 380 x365	760 x 380 x365	465 x415 x 335	-
PACKING BOX MM (W X H X D)	-	-	-	-	-
NET (W X H X D)	895 X 594 X 554	895 x 595 x 565	895 x 595 x 565	595 x 565 x 585	895 X 594 X 554
CUT OUT : (W X H X D)		860 x 589 x 575	860 x 589 x 575	575 x 590 x 595	-
TELESCOPIC TRAY GUIDES	-	-	-	-	-
LIGHT	-	-	YES	YES	YES
ELECTRIC CLOCK ANALOGIC PROGRAM	-	-	-	-	-
<b>SAFETY</b>					
GLAZED DOOR	-	2	2	2	2
CHILDREN SAFETY	-	-	-	-	-
GRILL PROTECTOR	-	-	-	-	-
SAFETY THERMOSTAT	-	YES	YES	-	-
<b>ACCESSORIES</b>					
BAKING TRAY	1	2	2	1	1
DEEP TRAY (50 MM)	-	1	1	-	-
CHROME GRID	1	1	1	1	1
TRAY HANDLE	-	-	-	-	-
<b>POWER CONSUMPTION</b>					
TURBO (W)	-	-	-	-	-
GRILL (W)	-	-	-	-	-
TRADITIONAL (W)	-	-	-	-	-
MULTIFUNCTION MOTOR (W)	-	-	-	-	-
BOTTOM HEAT (W)	-	-	-	-	-
COOLING FAN MOTOR (W)	25	-	-	-	25
TOP HEATING ELEMENT (W)	-	-	-	-	-
CONVECTION ELEMENT (W)	-	-	-	-	-





# M I C R O W A V E



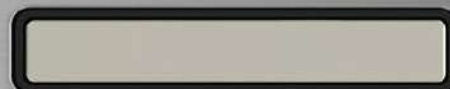
Micro./ Grill/Combi. | Weight/ Time Defrost



Stop/Clear | Kitchen Timer /Clock



Start/ +30Sec./Confirm





BUILT-IN COMBI MICROWAVE / OVEN 44L SERIES



VISION



VISTA

BUILT-IN MICROWAVE OVEN 28-34 L SERIES



SUN/34



SUMMER/28

BUILT-IN MICROWAVE OVEN 25 L SERIES



STORM



LIGHT MATT BLACK/GREY



LIGHT



ROSA NERO



ROSA INOX



COUNTRY 60

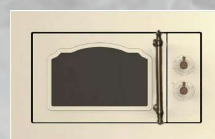
BUILT-IN MICROWAVE 20 L SERIES



BIO

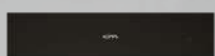


STRIP



CLASSICO

BUILT-IN COFFEE MACHINE AND WARMER DRAWER



WARMER DRAWER BK



DRAWER WARMER SS



COFFEE MACHINE



## COMBI MICROWAVE OVEN



CODE: MWC4544001

### VISION

#### FUNCTIONS:



#### FEATURES:

- 60 CM BUILT-IN MULTIFUNCTION MICROWAVE OVEN
- 44L CAPACITY
- OVEN FUNCTION
- MICROWAVE FUNCTION
- WITH CONVECTION FAN
- WITH GRILL
- WITH CONVECTION COOKING
- SENSOR TOUCH CONTROL
- 8 PROGRAMS
- 5 MICROWAVE POWER SETTINGS
- 2 GRILL POWER SETTINGS
- 2 COMBI SETTINGS
- 24H CLOCK FUNCTION
- DROP DOWN DOOR
- AUTO MENU
- AUTO WEIGHT
- AUTO DEFROST BY TIME & WEIGHT
- CHILD SAFETY LOCK

#### DETAILS:

- BLACK GLASS
- FRAMELESS
- WIDTH 595 MM
- HEIGHT 454 MM
- DEPTH 568 MM
- NBM0002650X**



CODE: MWC4544002

### VISTA

#### FUNCTIONS:



#### FEATURES:

- 60 CM BUILT-IN MULTIFUNCTION MICROWAVE OVEN
- 44L CAPACITY
- OVEN FUNCTION
- MICROWAVE FUNCTION
- WITH CONVECTION FAN
- WITH GRILL
- WITH CONVECTION COOKING
- SENSOR TOUCH CONTROL
- 8 PROGRAMS
- 5 MICROWAVE POWER SETTINGS
- 2 GRILL POWER SETTINGS
- 2 COMBI SETTINGS
- 24H CLOCK FUNCTION
- DROP DOWN DOOR
- AUTO MENU
- AUTO WEIGHT
- AUTO DEFROST BY TIME & WEIGH
- CHILD SAFETY LOCK

#### DETAILS:

- INOX
- FRAMELESS
- WIDTH 595 MM
- HEIGHT 455 MM
- DEPTH 472 MM
- NBM0002625X**



## BUILT-IN MICROWAVE OVEN 28-34 L SERIES



CODE: MWG3934008

### SUN

#### FUNCTIONS:



#### FEATURES:

- 34L BUILT-IN MICROWAVE & GRILL
- BLACK OUTSIDE
- LED FULL TOUCH CONTROL
- MICROWAVE & GRILL & CONVECTION FUNCTION
- BLACK DOOR GLASS
- STAINLESS STEEL CAVITY
- TOUCH DOOR OPEN
- 10 AUTO MENU, 5 POWER LEVEL
- CHILD SAFETY LOCK
- DEFROST SETTING
- DIGITAL TIMER
- QUICK START
- 30 SECONDS QUICK START

#### DETAILS:

■ BLACK  
 FRAMELESS  
 WIDTH 594 MM  
 HEIGHT 382 MM  
 DEPTH 369 MM  
**NBM0001490X**



CODE: MWG3928006

### SUMMER

#### FUNCTIONS:



#### FEATURES:

- 28L MICROWAVE OVEN
- PUSH OPEN DOOR
- MICROWAVE & GRILL
- QUICK START
- FULL BLACK EXTERIOR
- STAINLESS STEEL CAVITY
- 24 HOURS DIGITAL TIMER
- WITH LED DISPLAY
- DEFROST SETTING
- CHILD SAFETY LOCK
- 8 AUTO MENUS , 5 POWER LEVEL
- 30 SECONDS QUICK START

#### DETAILS:

■ BLACK  
 FRAMELESS  
 WIDTH 594 MM  
 HEIGHT 382 MM  
 DEPTH 369 MM  
**NBM0001175X**



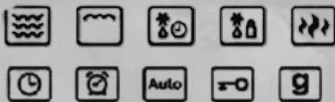
## BUILT-IN MICROWAVE OVEN 25 L SERIES



CODE: MWG3925001

### STORM

#### FUNCTIONS:



#### FEATURES:

- 60 CM BUILT-IN MULTIFUNCTION MICROWAVE OVEN
- 25L CAPACITY
- RED LED DISPLAY SCREEN
- MICROWAVE AND GRILL FUNCTION
- ELECTRONIC TOUCH OPEN
- 95 MINUTES DIGITAL TIMER
- DEFROST BY WEIGHT AND TIME
- 5 POWER LEVELS
- 8 AUTO MENUS
- INTERNAL LIGHTING
- COOKING END SIGNAL
- 30 SECONDS QUICK START
- CHILD SAFETY LOCK
- 1 GLASS TRAY
- 1 GRILL RACK
- FULL STAINLESS STEEL INSIDE CAVITY

#### DETAILS:

- BLACK GLASS
- FRAMELESS
- WIDTH 595 MM
- HEIGHT 395 MM
- DEPTH 388 MM
- NBM0001295X



CODE: MWG3925002

### LIGHT

#### FUNCTIONS:



#### FEATURES:

- 60 CM BUILT-IN MULTIFUNCTION MICROWAVE OVEN
- 25L CAPACITY
- DIGITAL CONTROL WITH DIAL KNOBS
- RED LED DISPLAY SCREEN
- MICROWAVE AND GRILL FUNCTION
- 95 MINUTES DIGITAL KITCHEN TIMER
- DEFROST BY WEIGHT AND TIME
- 5 POWER LEVELS
- 8 AUTO MENUS
- INTERNAL LIGHTING
- COOKING END SIGNAL
- 30 SECONDS QUICK START
- CHILD SAFETY LOCK
- 1 GLASS TRAY
- 1 GRILL RACK
- FULL STAINLESS STEEL INSIDE CAVITY

#### DETAILS:

- INOX FRAMELESS
- BLACK GLASS
- WIDTH 595 MM
- HEIGHT 395 MM
- DEPTH 388 MM
- NBM0001195



LIGHT MATTE BLACK  
NBM0001295X



LIGHT GREY  
NBM0001295X

NAPOLI MATTE  
OVEN 60 BLACK MATTE COLOR  
WITH  
MICROWAVE  
LIGHT MATTE BLACK

MARY NERO  
OVEN 60 BLACK AND GREY COLOR  
WITH  
MICROWAVE  
LIGHT GREY



MARY NERO



NAPOLI MATTE

## BUILT-IN MICROWAVE OVEN 25 L SERIES



CODE: MWG3925009

### ROSA NERO

#### FUNCTIONS:



#### FEATURES:

- 60 CM BUILT-IN MULTIFUNCTION MICROWAVE OVEN
- FULL STAINLESS STEEL DESIGN
- 8 MULTIFUNCTION
- 25 LITERS CAPACITY
- 5 MICROWAVE POWER LEVELS MICROWAVE AND GRILL FUNCTION
- STAINLESS STEEL INSIDE CAVITY PUSH OPEN DOOR
- BUTTON DIGITAL CONTROL
- INTERNAL LIGHTING
- LIGHTING DIAL KNOB MULTIPLE COOKING STAGES
- DEFROST BY WEIGHT AND TIME 95 MINUTES COOKING
- TIMER 30 SECONDS QUICK START COOKING END SIGNAL
- CHILD SAFETY LOCK

#### ACCESSORIES

- 1 GLASS TRAY
- 1 GRILL RACK

#### DETAILS:

■ BLACK GLASS  
FRAMELESS  
WIDTH 595 MM  
HEIGHT 395 MM  
DEPTH 400 MM

NBM000950X



CODE: MWG3925010

### ROSA INOX

#### FUNCTIONS:



#### FEATURES:

- 60 CM BUILT-IN MULTIFUNCTION MICROWAVE OVEN
- FULL STAINLESS STEEL DESIGN
- 8 MULTIFUNCTION
- 25 LITERS CAPACITY
- 5 MICROWAVE POWER LEVELS MICROWAVE AND GRILL FUNCTION
- STAINLESS STEEL INSIDE CAVITY PUSH OPEN DOOR
- BUTTON DIGITAL CONTROL
- INTERNAL LIGHTING
- LIGHTING DIAL KNOB MULTIPLE COOKING STAGES
- DEFROST BY WEIGHT AND TIME 95 MINUTES COOKING
- TIMER 30 SECONDS QUICK START COOKING END SIGNAL
- CHILD SAFETY LOCK

#### ACCESSORIES

- 1 GLASS TRAY
- 1 GRILL RACK

#### DETAILS:

■ INOX FRAMELESS  
■ MATT BLACK

WIDTH 595 MM  
HEIGHT 388 MM  
DEPTH 400 MM

NBM000950



## BUILT-IN MICROWAVE 20 L SERIES



CODE: MWG3920007

### BIO

#### FUNCTIONS:



#### FEATURES:

- 60 CM BUILT-IN MULTIFUNCTION MICROWAVE
- 20L CAPACITY
- MICROWAVE FUNCTION
- CERAMIC BOTTOM
- 2 COMBINATION POWER GRILL SETTING
- 60 DIGITAL TIMER
- WHITE LED DISPLAY
- PUSH BUTTON DOOR
- DEFROST SETTING
- STAINLESS STEEL CAVITY
- COOKING END SIGNAL
- CHILD SAFETY LOCK
- 24H LOCK
- QUICK START

#### DETAILS:

■ BLACK FRAMELESS

WIDTH 595 MM  
HEIGHT 385 MM  
DEPTH 325 MM

NBM000950X



CODE: MWG3920004

### STRIP

#### FUNCTIONS:



#### FEATURES:

- 60 CM BUILT-IN MULTIFUNCTION MICROWAVE
- 20L CAPACITY
- MICROWAVE FUNCTION
- CERAMIC BOTTOM
- 2 COMBINATION GRILL POWER SETTING
- 60 DIGITAL TIMER
- RED LED DISPLAY
- PUSH BUTTON DOOR
- 6 AUTO MENU
- PUSH BUTTON DOOR
- DEFROST SETTING
- COOKING END SIGNAL
- CHILD SAFETY LOCK
- 24H LOCK

#### DETAILS:

■ INOX FRAMELESS

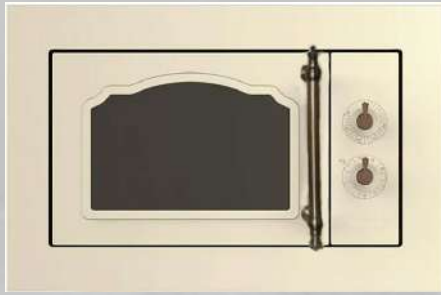
WIDTH 595 MM  
HEIGHT 385MM  
DEPTH 325 MM

NBM000900X





## BUILT-IN MICROWAVE 20 L SERIES



CODE: MW03920005

### CLASSICO 60

#### FEATURES:

60 CM BUILT-IN MULTIFUNCTION MICROWAVE  
20L CAPACITY  
DOOR SAFETY LOCK SYSTEM  
MICROWAVE WINDOW  
MICROWAVE AIR VENT  
ROLLER RING  
GLASS TRAY  
CONTROL PANEL  
GRILL RACK

#### DETAILS:

■ IVORY FRAMELESS

WIDTH 595 MM  
HEIGHT 375 MM  
DEPTH 320 MM

**NBM0001100X**



CODE: MW03925005

### COUNTRY 60

#### FEATURES:

60 CM BUILT-IN MULTIFUNCTION MICROWAVE  
25L CAPACITY  
DOOR SAFETY LOCK SYSTEM  
DEFROST BY TIME  
ADD 30 SEC  
COOKING END SIGNAL  
MICROWAVE DISTRIBUTION : GLASS TURNTABLE  
STAINLESS STEEL CAVITY

#### DETAILS:

■ IVORY FRAMELESS  
■ BLACK FRAMELESS  
■ WHITE FRAMELESS

WIDTH 595 MM  
HEIGHT 388 MM  
DEPTH 400MM

**NBM0001645X**



BUILT-IN WARMER DRAWER



CODE: CMWD145B01  
LIFE H145 NERO

FUNCTIONS:



FEATURES:

SLIDING TELESCOPIC RAILS  
FINGERPRINT-PROOF  
BEVELLED CLASS  
LEAVENING  
TIMER

INTERNAL AIR VENTILATION  
SLOW COOKING  
WARMING FUNCTION  
PUSH OPENING  
TOUCH CONTROL

DETAILS:

■ BLACK  
FRAMELESS  
WIDTH 596 MM  
HEIGHT 144 MM  
DEPTH 545 MM

NBM0002335X



CODE: CMWD145S02  
WARMER DRAWER SS

FINISH	STAINLESS STEEL
TEMPERATURE	30 - 80 C
VOLTAGE (V)	220 - 240 V
FREQUENCY (HZ)	50 HZ
RATED ELECTRICAL POWER	432
POWER SUPPLY REQUIRED	3A
MAXIMUM CAPACITY	25 KG
DIMENSIONS	595 X 581 X141 MM
FAN HEATER	
SMOOTH RUNNERS	
NON-SLIP SILICONE MAT	

SLIDING TELESCOPIC RAILS  
FINGERPRINT-PROOF  
BEVELLED CLASS  
LEAVENING  
TIMER

INTERNAL AIR VENTILATION  
SLOW COOKING  
WARMING FUNCTION  
PUSH OPENING  
KNOBS CONTROL

DETAILS:

■ BLACK GLASS  
■ INOX  
FRAMELESS  
WIDTH 595 MM  
HEIGHT 144 MM  
DEPTH 545 MM

NBM0001250X

FINISH	BLACK
NET CAPACITY (L)	20
GROSS CAPACITY (L)	22
VOLTAGE (V)	220-240
FREQUENCY (HZ)	50-60
ENERGY CLASS	N/A
ENERGY CONSUMPTION (KWH)	N/A
WARMING TEMPERATURE RANGE	40-70 °C
EXTERNAL (MM)	596 X 144 X 545
WIDTH (MM)	596
INNER HEIGHT (MM)	77
INNER WIDTH (MM)	541
INNER DEPTH (MM)	480
TURBO (W)	N/A
GRILL (W)	N/A
TRADITIONAL (W)	N/A
MULTI-FUNCTION MOTOR (W)	N/A
BOTTOM HEAT (W)	400
COOLING FAN MOTOR (W)	10



## BUILT-IN COFFEE MACHINE



CODE: CMBI450001

**CM4500BK**

### FUNCTIONS:



### FEATURES:

- OBSIDIAN BLACK GLASS FINISH
- TOUCH CONTROL PANEL
- COFFEE BEAN GRINDER
- COFFEE BEAN CONTAINER (400 G)
- 2.5L WATER TANK
- GROUND COFFEE CONTAINER
- HEIGHT ADJUSTABLE DISPENSER
- STEAM SPOUT
- DRIP TRAY
- TELESCOPIC RAILS
- WATER HARDNESS SETTING
- COFFEE AND WATER REFILL INDICATORS
- GROUND COFFEE CONTAINER TO EMPTY INDICATOR
- CLEANING INDICATOR
- LIME SCALE FILTER INDICATOR

### DETAILS:

- BLACK
- FRAMELESS
- WIDTH 594 MM
- HEIGHT 452 MM
- DEPTH 546 MM
- NBM00010800X**

- ESPRESSO
- COFFEE
- WHITE COFFEE
- LATTE MACCHIATO
- CAPPUCCINO
- MILK FROTH
- WARM MILK
- HOT WATER
- WATER HEATING TIME (3')
- AUTOMATIC CLEANING CYCLE
- STAND-BY (ENERGY SAVING FUNCTION)

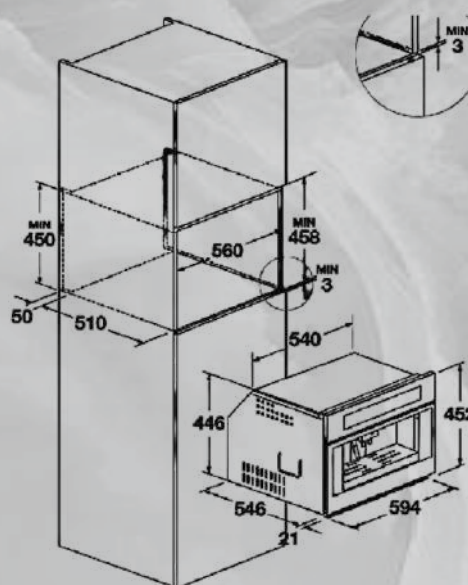
### SAFETY:

- WATER HARDNESS SETTING
- COFFEE AND WATER REFILL INDICATORS
- GROUND COFFEE CONTAINER TO EMPTY INDICATOR
- CLEANING INDICATOR
- LIME SCALE FILTER INDICATOR

### SERIES ACCESSORIES

- TELESCOPIC RAILS
- LIME SCALE FILTER
- POWER CORD WITH PLUG

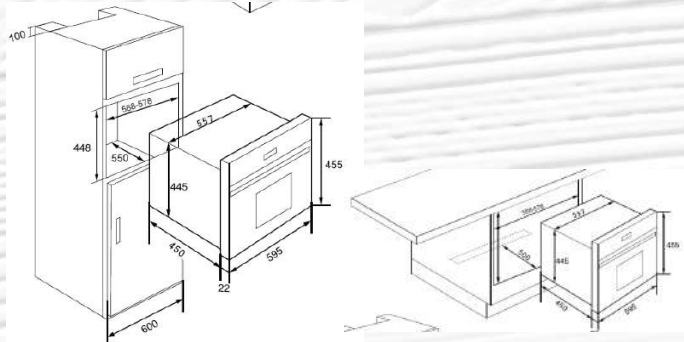
### INSTALLATION DIAGRAM



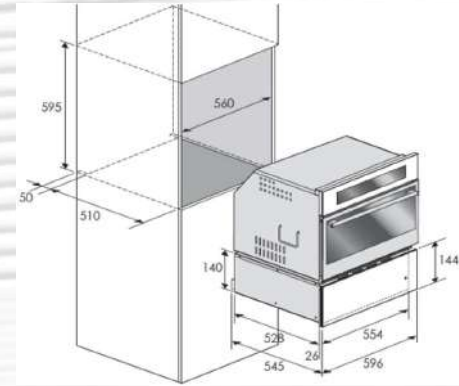


# INSTALLATION DIAGRAMS

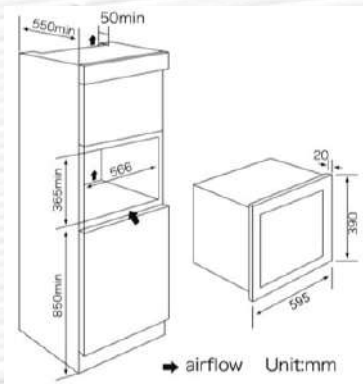
VISTA, VISION



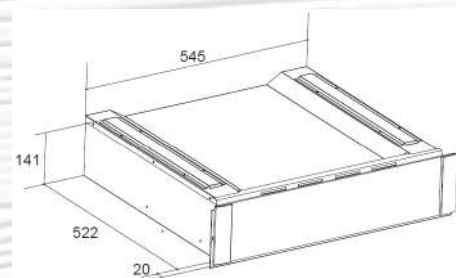
CMWD145B  
WARMER DRAWER



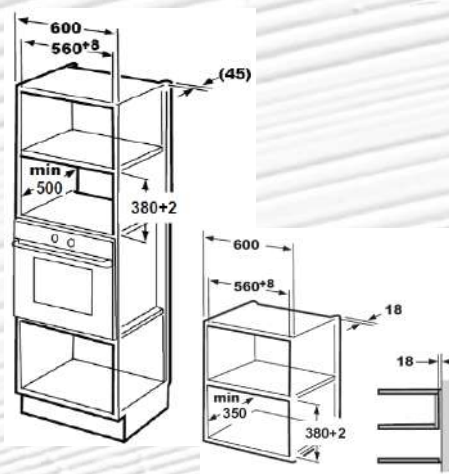
RAY



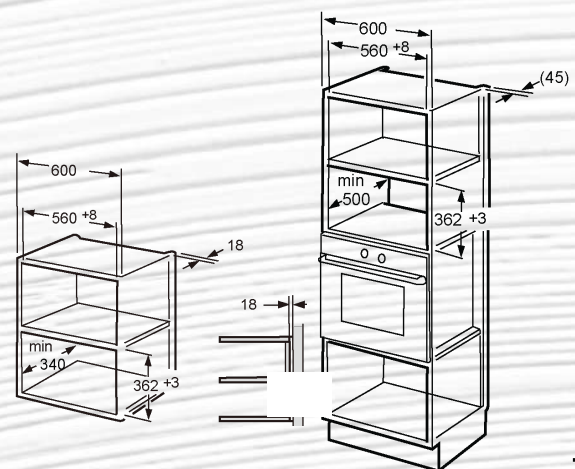
WARMER DRAWER SS / BK



STORM, LIGHT, STRIP  
SUN, SUMMER



BIO





## TECHNICAL FEATURE

							
<b>MODEL NAME</b>	VISION	VISTA	STORM	LIGHT	CLASSICO	STRIP	CLASSICO
<b>FINISH</b>	BLACK GLASS	STAINLESS STEEL	BLACK GLASS	STAINLESS STEEL	IVORY,BLACK,WHITE	STAINLESS STEEL	IVORY
<b>FUNCTIONS</b>							
MULTIFUNCTION COOKING	-	-	-	-	-	-	-
ROTISSERIE	N/A	N/A	N/A	N/A	N/A	N/A	N/A
DEFROSTING	YES	YES	YES	YES	YES	YES	YES
MICROWAVE ELECTRIC GRILLING	YES	YES	YES	YES	YES	YES	YES
SENSOR TOUCH CONTROL PROGRAMMER	YES	YES	YES	YES	YES	-	-
ELECTRONIC PROGRAMMER	YES	YES	YES	YES	YES	YES	-
<b>G.W./N.W (kg)</b>							
	-	-	22/19.5	20.5/18.5	18.5/20.5	17/15	17/15
<b>DIMENSIONS</b>							
INNER CAVITY (WXHXD) MM	420 X 250 X 420	420 X 250 X 420	328 X 206 X 368	328 X 206 X 368	328 X 206 X 368	295 X 218 X 314	300 X 180 X 210
PRODUCT DIMENSION (WXHXD) MM	595 X 454 X 568	595 X 455 X 472	595 X 388 X 401	595 X 388 X 400	595 X 388 X 400	595 X 388 X 343.5	595 X 376 X 320
PACKING DIMENSION (WXHXD) MM	700 X 550 X 670	700 X 550 X 670	684 X 484 X 566	653 X 466 X 500	684 X 484 X 566	650 X 445 X 404	650 X 445 X 404
<b>ELECTRICAL DETAILS</b>							
VOLTAGE (V)	230	230	230	230	230	230	230
FREQUENCY (HZ)	50	50	50	50	50	50	50
RATED INPUT POWER (MICROWAVE)	1650	1650	1450	1450	1080	1250	1600
RATED OUTPUT POWER (MICROWAVE)	900	900	900	900	900	800	1000
RATED INPUT POWER (GRILL)	1750	1750	1000	1000	1450	1000	1500
OVERALL (L)	44	44	25	25	25	20	20
TURNTABLE DIAMETER	325	325	315	315	245	245	235

				
<b>MODEL NAME</b>	SUN	SUMMER	BIO	ROSSA NERO/INOX
FINISH	BLACK GLASS	BLACK GLASS	BLACK GLASS	BLACK GLASS STAINLESS STEEL
<b>FUNCTIONS</b>				
MULTIFUNCTION COOKING(W)	1550	1450	1250	-
ROTISSERIE	N/A	N/A	N/A	N/A
DEFROSTING	YES	YES	YES	YES
MICROWAVE ELECTRIC GRILLING	YES	YES	YES	YES
SENSOR TOUCH CONTROL PROGRAMMER	YES	YES	YES	YES
ELECTRONIC PROGRAMMER	YES	YES	YES	YES
<b>G.W./ N.W.kg</b>	25/22	22.5/20	17/15	20.5/18.5
<b>DIMENSIONS</b>				
INNER CAVITY MM	351 x 249 x 358	344 x 251.5 x 331.6	295 x 218 x 314	328 X 206 X 368
PRODUCT DIMENSION (WXHxD) MM	595 x 388 x 468	594 x369.2 x 3 82	594x 382x 330	595 x 388 x 400
PACKING DIMENSION (WXHxD) MM	653 x 466 x 550	680 x 441 x 445	660 x 445 x 404	653 X 466 X 500
<b>ELECTRICAL DETAILS</b>				
VOLTAGE (V)	230	230	230	230
FREQUENCY (HZ)	50	50	50	50
RATED INPUT POWER (MICROWAVE)	1550	1600	-	1450
RATED OUTPUT POWER (MICROWAVE)	1000	1000	900	900
RATED INPUT POWER (GRILL) (W)	1100	1000	1000	1000
OVERALL (L)	34	44	25	25
TURNTABLE DIAMETER	315	288	245	315



# HOBBS







## INDUCTION /60/90 SERIES



NIKOLATESLA FLAME



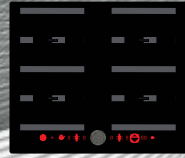
ONEBOARD FLEXI



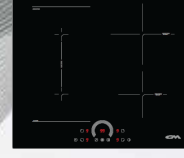
CHARM 90



INDUCTION FLEXI 70

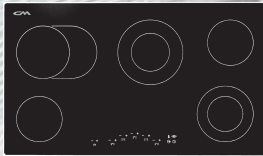


CHARM 60



INDUCTION FLEXI 60

## VITROCERAMIC /60/90 SERIES



HI LIGHT 90



CASA 90



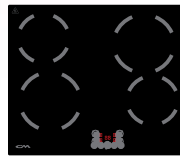
DREAM 90



DREAM 60



HI LIGHT 60



CASA 60

## GAS ON GLASS HOB /60/90 SERIES



DIAMOND 90



CRYSTAL 90



GALAXY 90



MOON NERO 90



HIVER 90



DIAMOND 60



CRYSTAL 60



MOON 60

**GAS /60/90 SERIES**



TWIN MATT 90 5B



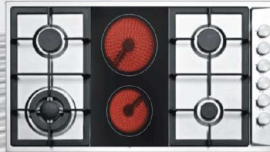
TWIN INOX 90 5B



PANORAMIC NERO



LARGO 90 6G



LYBRA 90 4G



LARGO 90 5G



ARC



DELUX 90



PANORAMIC 90



BOX 90

**GAS /60/ SERIES**



TWIN 60 4B



DELUX 60



QUADRA 60 4B



EASY 60

**SPECIAL 30 SERIES**



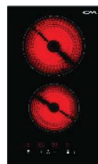
WOK



FLEXI ZONE



CHARM 30



HI LIGHT 30



VD30



QUADRA 30 E



CRYSTAL 30



MAYA NERO



QUADRA 30 G



MAYA INOX

**CLASSIC GAS HOB 60/90**



CLASSICO H90I



CLASSICO H60I



COLONIAL 90



**Airforce**  
DOWNDRAFT

120 CM NBM0008500X  
90 CM NBM0008500X



**ASPIRA SLIM**



CODE:PRF0159655

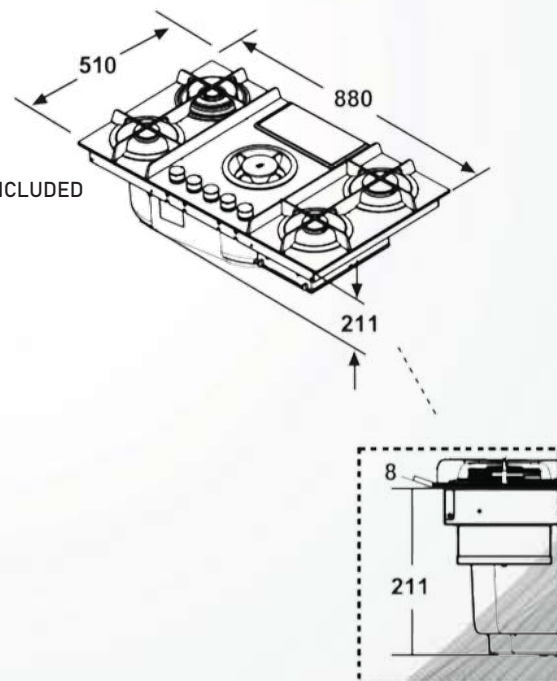
## NIKOLATESLA FLAME

### FEATURES

SIZE: 88 X 51X 21 CM  
 VERSION: DUCT-OUT / FILTERING  
 FINISH: BLACK GLASS CAST IRON, GREY GLASS CAST IRON  
 ASPIRATION SYSTEM  
 RECYCLING  
 CONTROLS: 3S 2B ROTATIVE  
 MIN-MAX AIRFLOW: 230 - 550 M<sup>3</sup>/H  
 SUCTION SPEED: 5,1 M/S  
 MIN-MAX NOISE LEVEL: 43 - 71 DB(A)  
 TOTAL ABSORPTION: 310 W  
 DUCT SIZE: 150 MM  
 GREASE ALUMINIUM FILTER INCLUDED / CHARCOAL FIBRE FILTER INCLUDED  
 GAS HOB  
 ABSORPTION: 10 W  
 FREQUENCY: 50 HZ  
 VOLTAGE: 220 - 240 V  
 ZONE NUMBER: 4 1  
 BURNER TYPE  
 1ST ELEMENT: DUAL SPECIAL (3,5KW)  
 2ND ELEMENT: SEMI RAPID (1,75 KW)  
 3RD ELEMENT: SEMI RAPID (1,75 KW)  
 4TH ELEMENT: RAPID (3,0 KW)

NBM0009800X

### INSTALLATION DIAGRAM:





CODE : CCASP910042

# ONBOARD FLEX



## ASPIRATION PERFORMANCE

IEC AIR FLOW	639 M3 /H
TOTAL ABSORPTION	165 W
NOISE LEVEL	49/66/70 DB(A)

## TECHNICAL DATA

COMMANDING CONTROL	6-SPEED TOUCH CONTROL (INTENSIVE 5+1)
CONTROL	TOUCH CONTROL 5 SPEEDS (5+1 INTENSIVE)
FILTERS	WASHABLE GREASE FILTERS ODOUR FILTERS OPTIONAL

DIMENSIONSIZE	900 x 510 MM
CUTOUT	855 x 475 MM
FINITURAFINISH	Black glassBlack glass
AIR OUTLET SIZE	222 x 89 MM
AIR OUTLET DIMENS	

## FEATURES

- 4 BOOSTER 4 BOOSTER
- 2 ZONE BRIDGE 2 BRIDGE ZONE
- 3 SELECTABLE TEMPERATURE LEVELS (WARMING, MELTING, BOILING)
- ZEROMOISTURE SYSTEM ZERO MOISTURE SYSTEM



## PERFORMANCE

COOKING ZONES	4 180X220 CM	4X2,1 KW (BOOSTER 3 KW)
MAX POWER		7,4 KW

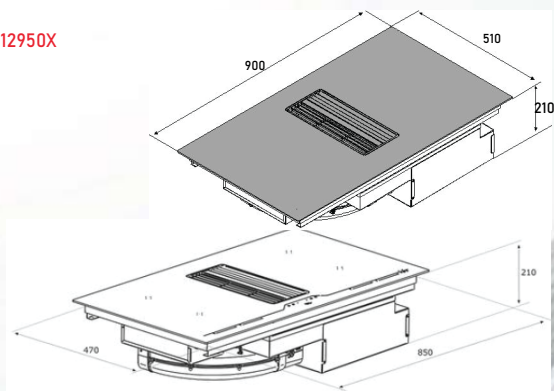
## TECHNICAL DATA

CONTROL	4-ZONE TOUCH CONTROL WITH 4 SLIDERS, 9P+B00
BRIDGE ZONE	2, LEFT AND RIG

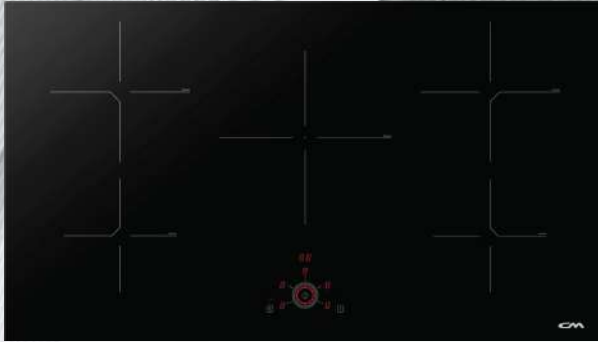
## ACCESSORIES

- REGENERABLE ODOUR FILTERS KIT: AFCFCAASPC
- PLUS FILTER H10/15 REFILL KIT: AFCFCARFH10
- PLUS FILTER H6/8 REFILL KIT: AFFCARFPH6
- DRIP TRAY KIT: AFCVRASPCOB/1
- (COMPATIBLE WITH INSTALLATION OR FILTERING MODE WITH PLUS FILTER)
- PLUMBING SPACE OUTLET KIT: KRASP008
- (ODOUR FILTER KIT NOT INCLUDED, TO BE ORDERED SEPARATELY)

NBM00012950X



## INDUCTION /60/90 SERIES



CODE: HBI9005002

### CHARM 90

90 CM INDUCTION HOB, FRAMELESS, 4MM EDGE, PLANE

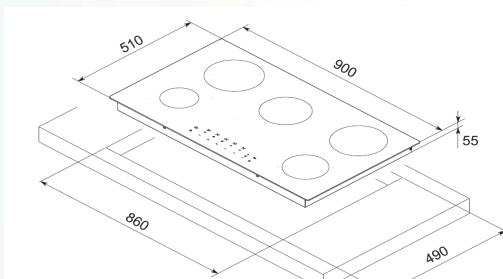
#### FUNCTIONS:

RESIDUAL HEAT INDICATOR	ANTI OVERFLOW
SMALL UTENSIL DETECTION	CHILD SAFETY LOCK
AUTO PAN DETECTION	HIGH TEMP LIMIT
OVER VOLTAGE PROTECTION	OVER VOLTAGE PROTECTION
	OVER HEAT PROTECTION

#### HEATING ELEMENTS:

LEFT - FRONT ZONE	Ø 160	1400 W
LEFT - REAR ZONE	Ø 200	2300 W - 3000 W
RIGHT - FRONT ZONE	Ø 200	2300 W - 3000 W
RIGHT - REAR ZONE	Ø 160	1400 W
CENTRAL - FRONT ZONE	Ø 250	2300 W - 3000 W

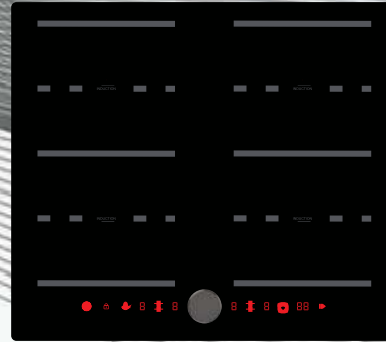
#### INSTALLATION DIAGRAM:



#### DETAILS:

■ BLACK  
 WIDTH 900 MM  
 HEIGHT 510 MM  
 DEPTH 55 MM  
 CUT-OUT: 860 X 490 MM

**NBM0004600X**



CODE: HBI6004004

### CHARM 60

60 CM INDUCTION HOB, FRAMELESS, 4MM EDGE, PLANE

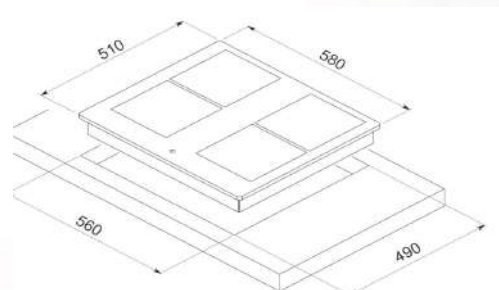
#### FUNCTIONS:

RESIDUAL HEAT INDICATOR	ANTI OVERFLOW
SMALL UTENSIL DETECTION	CHILD SAFETY LOCK
AUTO PAN DETECTION	HIGH TEMP LIMIT
OVER VOLTAGE PROTECTION	OVER VOLTAGE PROTECTION
	OVER HEAT PROTECTION

#### HEATING ELEMENTS:

LEFT - FRONT ZONE	Ø 160	1400 W - 1850 W
LEFT - REAR ZONE	Ø 160	1400 W
RIGHT - FRONT ZONE	Ø 200	1850 W - 2100 W
RIGHT - REAR ZONE	Ø 160	1400 W

#### INSTALLATION DIAGRAM:



#### DETAILS:

■ BLACK  
 WIDTH 580 MM  
 HEIGHT 510 MM  
 DEPTH 55 MM  
 CUT-OUT: 560 X 490 MM

**NBM0002700X**

INDUCTION /60/90 SERIES



CODE: HBI9005001

**INDUCTION FLEXI 90**

90 CM INDUCTION HOB, FRAMELESS, 4MM EDGE, PLANE

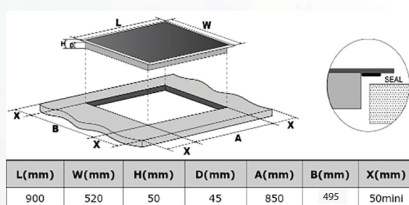
**FUNCTIONS:**

- RESIDUAL HEAT INDICATOR
- SMALL UTENSIL DETECTION
- AUTO PAN DETECTION
- OVER VOLTAGE PROTECTION
- ANTI OVERFLOW
- CHILD SAFETY LOCK
- HIGH TEMP LIMIT
- OVER VOLTAGE PROTECTION
- OVER HEAT PROTECTION

**HEATING ELEMENTS:**

- BURNER-1 (LEFT BOTTOM) : 2000W / 2400W /185\*185MM
- BURNER-2 (RIGHT TOP) : 1600W/2000W//185\*185MM
- LEFT FLEX ZONES:2600W /3000 W
- BURNER-3 (RIGH TOP) : 2000W / 2400W /185\*185mm
- BURNER-4 (RIGHT BOTTOM) : 1600W(2000W)/185\*185MM
- RIGHT FLEX ZONES:2600W (3000) W
- WEIGHT N/G : 13/15
- ROHS COMPLIANCE: YES
- CE COMPLIANCE : YES
- ENERGY EFFICIENCY CLASS : 3
- CARTON BOX PACKING : 970 X 590 X 125 MM

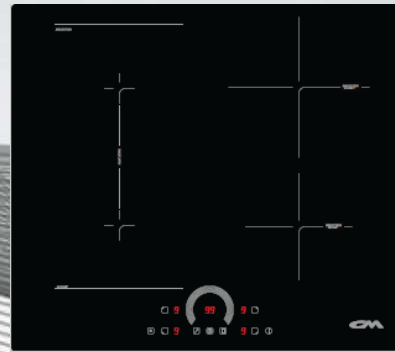
**INSTALLATION DIAGRAM:**



**DETAILS:**

- BLACK
- WIDTH 900 MM
- HEIGHT 520 MM
- DEPTH 50 MM
- CUT-OUT: 850 X 495 MM

**NBM0003950X**



CODE: HBI6004003

**INDUCTION FLEXI 60**

60 CM INDUCTION HOB, FRAMELESS, 4MM EDGE, PLANE

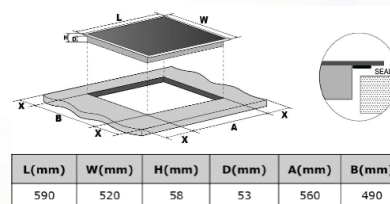
**FUNCTIONS:**

- RESIDUAL HEAT INDICATOR
- SMALL UTENSIL DETECTION
- AUTO PAN DETECTION
- OVER VOLTAGE PROTECTION
- ANTI OVERFLOW
- CHILD SAFETY LOCK
- HIGH TEMP LIMIT
- OVER VOLTAGE PROTECTION
- OVER HEAT PROTECTION

**HEATING ELEMENTS:**

- BURNER-1 (LEFT BOTTOM) : 2000W / 2400W /185\*185MM
- BURNER-2 (RIGHT TOP) : 1600W/2000W//185\*185MM
- LEFT FLEX ZONES:2600W /3000 W
- BURNER-3 (RIGH TOP) : 2000W / 2400W /185\*185mm
- BURNER-4 (RIGHT BOTTOM) : 1600W(2000W)/185\*185MM
- RIGHT FLEX ZONES:2600W(3000)W
- WEIGHT N/G : 8.8/10
- ROHS COMPLIANCE: YES
- CE COMPLIANCE : YES
- ENERGY EFFICIENCY CLASS : 3
- CARTON BOX PACKING : 645 X 565 X 120 MM

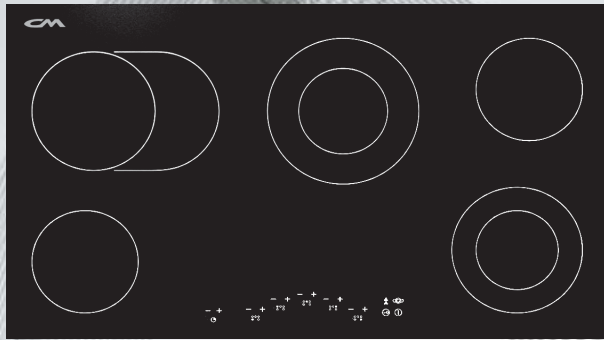
**INSTALLATION DIAGRAM:**



**DETAILS:**

- BLACK
- WIDTH 590 MM
- HEIGHT 520 MM
- DEPTH 58 MM
- cut out : 560x490mm
- glass size :590x520 X 120 mm

**NBM0002400X**



**HEATING ELEMENTS:**

FL	HI - LIGHT 2X	Ø 145	1200 W
RL	HI - LIGHT 1X	Ø 180	1800 W
RR	HI - LIGHT 1X	Ø 210	2200 W
FC	HI - LIGHT 1X	Ø 170 / 265	1400 W - 2200 W

**INSTALLATION DIAGRAM:**

CODE: HBC9005001

**HI LITE 90**

**FUNCTIONS:**



90 CM VITROCERAMIC HOB / BEVELED BLACK GLASS,

INFRARED SLIDING TOUCH CONTROL

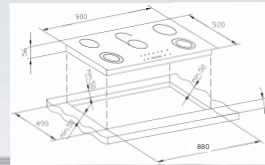
AUTOMATIC SAFETY SHUT OFF

ANTI-OVERHEAT-ANTI-OVERFLOW

9 POWER LEVELS

HEAT SETTING PER COOKING

RESIDUAL HEAT INDICATORS



**DETAILS:**

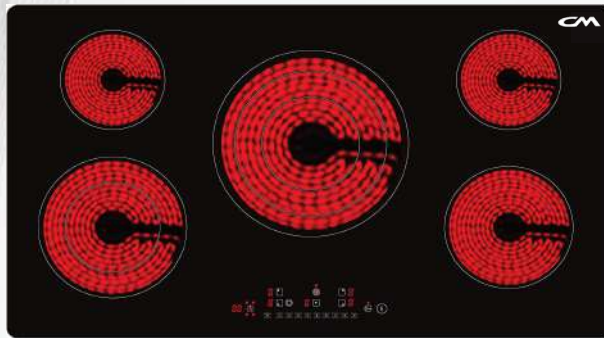
■ BLACK  
WIDTH 900 MM  
HEIGHT 520 MM  
DEPTH 56 MM  
CUT-OUT: 880 X 490 MM

**NBM0002975X**

5 HI-LIGHT HEATING ZONES

SAFETY /CHILD LOCK KEY

PAUSE FUNCTION / 99 MINUTES TIMER



**HEATING ELEMENTS:**

- BURNER-1 (LEFT BOTTOM) : 700-1500-2300W/115-163-230MM
- BURNER-2 (LEFT TOP) : 1200W/165MM
- BURNER-3(CENTRAL):900-2000W/165\*270MM
- BURNER-4 (RIGHT TOP) : 1800W/200MM
- BURNER-5( RIGHT BOTTOM) : 1200W/165MM

CODE: HBC9005006

**CASA 90**

**FUNCTIONS:**



90 CM VITROCERAMIC HOB / BEVELED BLACK GLASS,

INFRARED SLIDING TOUCH CONTROL

AUTOMATIC SAFETY SHUT OFF

ANTI-OVERHEAT-ANTI-OVERFLOW

9 POWER LEVELS

HEAT SETTING PER COOKING

RESIDUAL HEAT INDICATORS

PAUSE FUNCTION / 99 MINUTES TIMER

**DETAILS:**

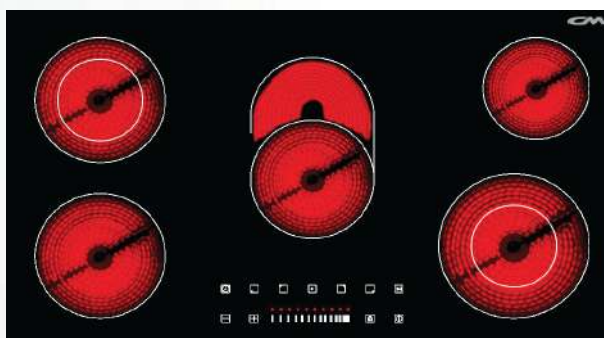
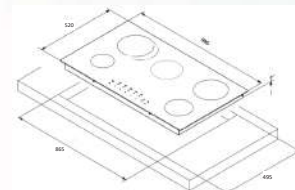
■ BLACK  
WIDTH 900 MM  
HEIGHT 520 MM  
DEPTH 50 MM  
CUT-OUT: 865 X 495 MM

**NBM0002450X**

5 HEATING ZONES

SAFETY /CHILD LOCK KEY

**INSTALLATION DIAGRAM:**



**HEATING ELEMENTS:**

- BURNER-1 (LEFT BOTTOM) : 700-1500-2300W/115-163-230MM
- BURNER-2 (LEFT TOP) : 1200W/165MM
- BURNER-3(CENTRAL):900-2000W/165\*270MM
- BURNER-4 (RIGHT TOP) : 1800W/200MM
- BURNER-5( RIGHT BOTTOM) : 1200W/165MM

WEIGHT N/G	12/14KG
ROHS COMPLIANCE:	YES
CE COMPLIANCE :	YES
ENERGY EFFICIENCY CLASS	3
CARTON BOX PACKING :	970 X 590 X 125 MM

CODE: HBC9005002

**DREAM 90**

**FUNCTIONS:**



90 CM VITROCERAMIC HOB / BEVELED BLACK GLASS,

INFRARED SLIDING TOUCH CONTROL

AUTOMATIC SAFETY SHUT OFF

ANTI-OVERHEAT-ANTI-OVERFLOW

9 POWER LEVELS

HEAT SETTING PER COOKING

RESIDUAL HEAT INDICATORS

PAUSE FUNCTION / 99 MINUTES TIMER

5 HEATING ZONES

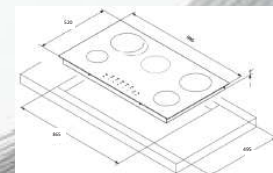
SAFETY /CHILD LOCK KEY

**DETAILS:**

■ BLACK  
WIDTH 900 MM  
HEIGHT 520 MM  
DEPTH 50 MM  
CUT-OUT: 865 X 495 MM

**NBM0001800X**

**INSTALLATION DIAGRAM:**





## VITROCERAMIC /60/90 SERIES



CODE: HBC6004003

### DREAM 60

60 CM VITROCERAMIC HOB

FUNCTIONS:

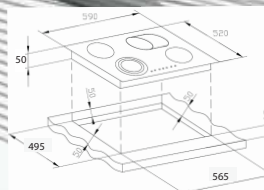


BEVELLED BLACK GLASS,  
 INFRARED SLIDING TOUCH CONTROL / CAPACITIVE TOUCH CONTROL  
 AUTOMATIC SAFETY SHUT OFF / 99 MINUTES TIMER  
 ANTI-OVERHEAT-ANTI-OVERFLOW /  
 9 POWER LEVELS / 4 HEATING ZONES  
 HEAT SETTING PER COOKING / SAFETY /CHILD LOCK KEY  
 RESIDUAL HEAT INDICATORS / PAUSE FUNCTION

#### HEATING ELEMENTS:

VOLTAGE :	220-240 V~ /380-450
TOTAL POWER :	6700 W
BURNER-1 ( LEFT BOTTOM ) :	800/ 1600/ 2300 W
BURNER-2 (LEFT TOP) :	1200 W
BURNER-3 (RIGH TOP) :	1100/ 2000 W
BURNER-4 (RIGHT BOTTOM)	1200 W
WEIGHT N/G	9/10KG
ROHS COMPLIANCE:	YES
CE COMPLIANCE :	YES
CARTON BOX PACKING :	645 X 565 X 120 MM

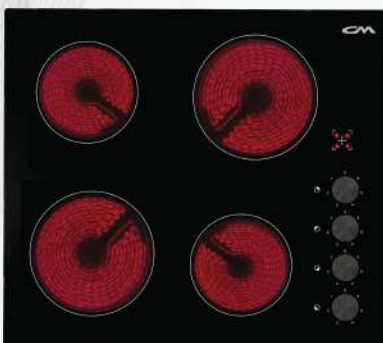
#### INSTALLATION DIAGRAM:



#### DETAILS:

■ BLACK  
 WIDTH 590 MM  
 HEIGHT 520 MM  
 DEPTH 50 MM  
 CUT-OUT: 565X 495 MM

**NBM0001300X**



CODE: HBC6004004

### HI LITE 60

60 CM VITROCERAMIC HOB

FUNCTIONS:

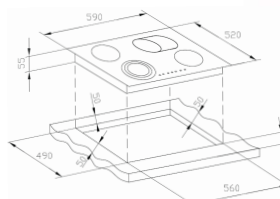


BEVELLED BLACK GLASS,  
 INFRARED SLIDING TOUCH CONTROL / CAPACITIVE TOUCH CONTROL  
 AUTOMATIC SAFETY SHUT OFF / 99 MINUTES TIMER  
 ANTI-OVERHEAT-ANTI-OVERFLOW /  
 9 POWER LEVELS / 4 HI-LIGHT HEATING ZONES  
 HEAT SETTING PER COOKING / SAFETY /CHILD LOCK KEY  
 RESIDUAL HEAT INDICATORS / PAUSE FUNCTION

#### HEATING ELEMENTS:

VOLTAGE :	220-240 V~ /380-450
TOTAL POWER :	6000 W
BURNER-1 ( LEFT BOTTOM ) :	1200 W
BURNER-2 (LEFT T TOP) :	1800 W
BURNER-3 (RIGH TOP) :	1200 W
BURNER-4 (RIGHT BOTTOM)	1800 W
ROHS COMPLIANCE:	YES
CE COMPLIANCE :	YES
CARTON BOX PACKING :	630 X 575 X 115 MM

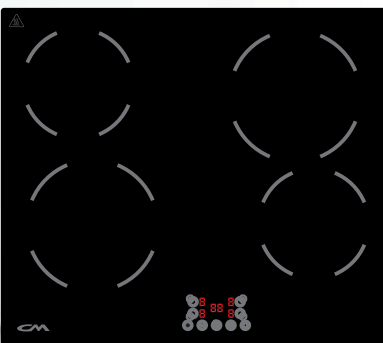
#### INSTALLATION DIAGRAM:



#### DETAILS:

■ BLACK  
 WIDTH 590 MM  
 HEIGHT 520 MM  
 DEPTH 55 MM  
 CUT-OUT: 560 X 490 MM

**NBM0001150X**



CODE: HBC6004005

### CASA 60

60 CM VITROCERAMIC HOB

FUNCTIONS:

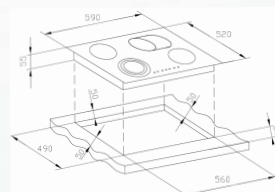


BEVELLED BLACK GLASS,  
 INFRARED SLIDING TOUCH CONTROL / CAPACITIVE TOUCH CONTROL  
 AUTOMATIC SAFETY SHUT OFF / 99 MINUTES TIMER  
 ANTI-OVERHEAT-ANTI-OVERFLOW /  
 9 POWER LEVELS / 4 HI-LIGHT HEATING ZONES  
 HEAT SETTING PER COOKING / SAFETY /CHILD LOCK KEY  
 RESIDUAL HEAT INDICATORS / PAUSE FUNCTION

#### HEATING ELEMENTS:

VOLTAGE :	220-240 V~ /380-450
TOTAL POWER :	9800 W
BURNER-1 ( LEFT TOP ) :	2000(2600)W /210 MM
BURNER-2 (LEFT BOTTOM ) :	1600 (2000)W /160 MM
BURNER-3 (RIGH TOP) :	2000(2600)W /210 MM
BURNER-4 (RIGHT BOTTOM)	1600 (2000)W /160 MM
ROHS COMPLIANCE:	YES
CE COMPLIANCE :	YES
CARTON BOX PACKING :	645 X 565 X 120 MM

#### INSTALLATION DIAGRAM:



#### DETAILS:

■ BLACK  
 WIDTH 590 MM  
 HEIGHT 520 MM  
 DEPTH 55 MM  
 CUT-OUT: 560 X 490 MM

**NBM000875X**



CODE: HBG9005001

## DIAMOND 90

90 CM GAS ON GLASS HOB, CAST IRON PAN SUPPORT

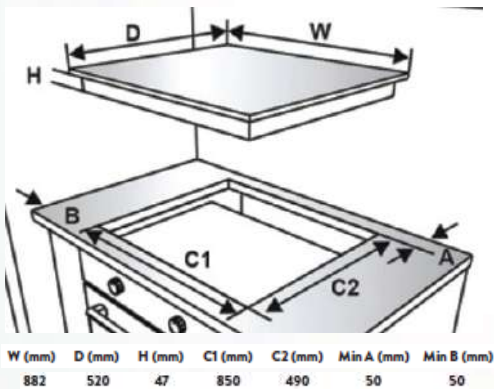
### FUNCTIONS:

5 GAS BURNER  
 HIGH EFFICIENCY WOK BURNER  
 FLAME SAFETY DEVICE  
 LEVEL SELECT

### HEATING ELEMENTS:

RAPID BURNER	3000 W
AUXILIARY BURNER	1000 W
SEMI-RAPID BURNER	1750 W
WOK BURNER	4500 W

### INSTALLATION DIAGRAM:

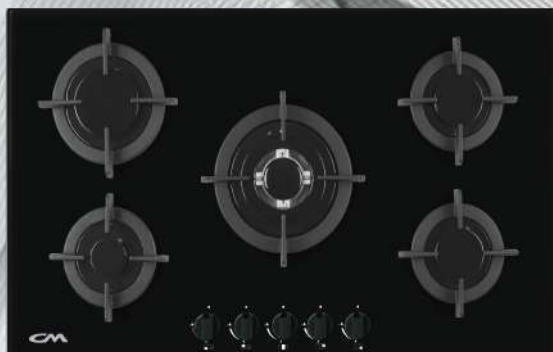


### DETAILS:

■ BLACK  
 882 MM WIDTH  
 520 MM HEIGHT  
 47 MM DEPTH  
 CUT-OUT: 850 X 490 MM  
**NBM0002595X**



GAS ON GLASS HOB /60/90 SERIES



CODE: HBG9005002

**CRYSTAL 90**

90 CM GAS ON GLASS HOB, CAST IRON PAN SUPPORT, 8MM EDGE

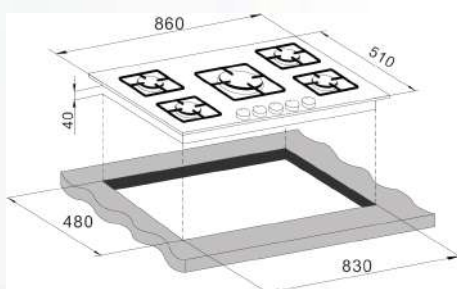
**FUNCTIONS:**

- 5 GAS BURNER
- ELECTRONIC IGNITION
- FLAME SAFETY DEVICE

**HEATING ELEMENTS:**

RAPID BURNER	1000 W
AUXILIARY BURNER	1750 W
SEMI-RAPID BURNER	3500 W
TRIPLE RING BURNER	3000 W
N.W	16.5 KGS
G.W	17.3 KGS

**INSTALLATION DIAGRAM:**



REF: CMCRY905G

**DETAILS:**

- BLACK
- WIDTH 860 MM
- HEIGHT 510 MM
- DEPTH 40 MM
- CUT-OUT: 830 X 480 MM

**NBM0002245X**



CODE: HBG9005025

**GALAXY 90**

90 CM GAS ON GLASS HOB, CAST IRON PAN SUPPORT,

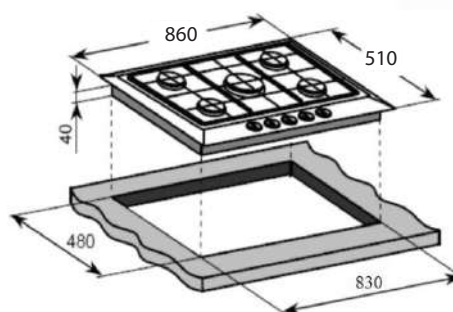
**FUNCTIONS:**

- 5 GAS BURNER
- ELECTRONIC IGNITION
- FLAME SAFETY DEVICE

**HEATING ELEMENTS:**

RAPID BURNER	1000 W
AUXILIARY BURNER	1750 W
SEMI-RAPID BURNER	3500 W
TRIPLE RING BURNER	3000 W

**INSTALLATION DIAGRAM:**



**DETAILS:**

- BLACK
- WIDTH 860 MM
- HEIGHT 510 MM
- DEPTH 40 MM
- CUT-OUT: 840 X 480 MM

**NBM0001650X**

GAS ON GLASS HOB /60/90 SERIES



CODE: HBG9005026

**MOON NERO 90**

90 CM GAS ON GLASS HOB, CAST IRON PAN SUPPORT,

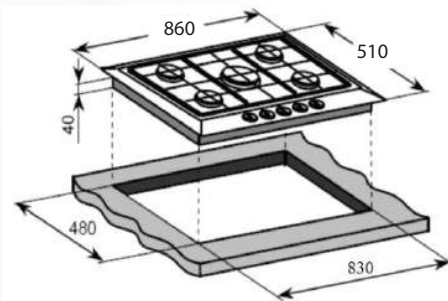
**FUNCTIONS:**

- 5 GAS BURNER
- ELECTRONIC IGNITION
- FLAME SAFETY DEVICE

**HEATING ELEMENTS:**

RAPID BURNER	1000 W
AUXILIARY BURNER	1750 W
SEMI-RAPID BURNER	3500 W
TRIPLE RING BURNER	3000 W

**INSTALLATION DIAGRAM:**



**DETAILS:**

- BLACK
- WIDTH 860 MM
- HEIGHT 510 MM
- DEPTH 40 MM
- CUT-OUT: 840 X 480 MM

**NBM0001450X**



CODE: HBG9005019

**HIVER 90**

90 CM BLACK TEMPERED GLASS , CAST IRON PAN SUPPORT

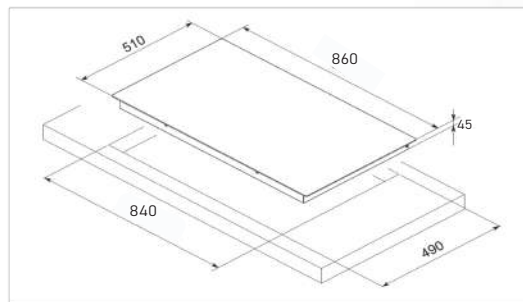
**FUNCTIONS:**

- 5 GAS BURNERS BUILT- IN
- BURNER COVER : CAST IRON , MATTE
- AUTO IGNITION
- SAFETY VALVE DEVICE

**HEATING ELEMENTS:**

UPPER LEFT	3000 W
LOWER LEFT	1750 W
CENTER TOP	1750 W
CENTER BOTTOM	1000 W
RIGHT-MOST	3300 W

**INSTALLATION DIAGRAM:**



**DETAILS:**

- INOX
- WIDTH 860 MM
- HEIGHT 510 MM
- DEPTH 45 MM
- CUT-OUT: 840 X 490 MM

**NBM0001350X**



CODE:HBG6004009

## DIAMOND 60

60 CM GAS ON GLASS HOB, CAST IRON PAN SUPPORT, 8MM EDGE

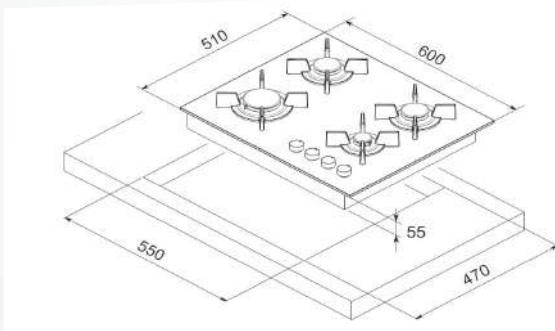
### FUNCTIONS:

4 GAS BURNERS  
ELECTRONIC IGNITION  
SAFETY DEVICE

### HEATING ELEMENTS:

SEMI-RAPID BURNER	1000 W
AUXILIARY BURNER	1750 W
RAPID BURNER	3000 W

### INSTALLATION DIAGRAM:



### DETAILS:

■ BLACK  
WIDTH 600 MM  
HEIGHT 510 MM  
DEPTH 55 MM  
CUT-OUT: 550 X 470 MM

NBM0001645X



GAS ON GLASS HOB /60/90 SERIES



CODE:HBG6004010  
**CRYSTAL 60**

60 CM GAS ON GLASS HOB, CAST IRON PAN SUPPORT, 8MM EDGE

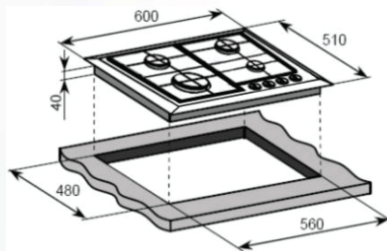
**FUNCTIONS:**

- 4 GAS BURNERS
- ELECTRONIC IGNITION
- SAFETY DEVICE

**HEATING ELEMENTS:**

VOLTAGE :	220 V
RAPID GAS BURNER:	-
SEMI- RAPID GAS BURNER :	1750 W X2
AUXILIARY GAS BURNER :	1000 W X1
WOK (TRIPLE FLAME) :	3500 WX 1
ROHS COMPLIANCE:	YES
CE COMPLIANCE :	YES
GAS TYPE :	LPG
ENERGY EFFICIENCY CLASS	EE GAS HOB > 54
CARTON BOX PACKING :	640 X 550 X 145 MM

**INSTALLATION DIAGRAM:**



RFE : CMCRY5604G

**DETAILS:**

- BLACK
- WIDTH 600 MM
- HEIGHT 510 MM
- DEPTH 40 MM
- CUT-OUT: 560 X 480 MM

**NBM0001450X**



CODE: HBG6004018  
**GALAXY 60**

60 MATT BLACK GAS HOB , CAST IRON , MATTE  
CAST IRON PAN SUPPORT, 8MM EDGE

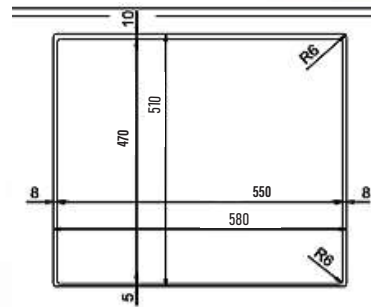
**FUNCTIONS:**

- 4 GAS BURNERS BUILT- IN GAS STOVE , METAL KNOBS
- BURNER COVER , CAST IRON , MATTE
- AND HIGH HEAT RESISTANT ALUMINUM WITH FFD
- AUTO IGNITION
- SAFETY DEVICE

**HEATING ELEMENTS:**

SEMI-RAPID BURNER	1750 W
AUXILIARY BURNER	1000 W
TRIPLE RING BURNER	3500 W

**INSTALLATION DIAGRAM:**



**DETAILS:**

- BLACK
- WIDTH 580 MM
- HEIGHT 510 MM
- DEPTH 120 MM
- CUT-OUT: 550 X 470 MM

**NBM000950X**

## GAS /60/90 SERIES



CODE: HBG9005021

### TWIN MATT

90 CM STAINLESS STEEL HOB, CAST IRON HOB PAN SUPPORT,  
1MM EDGE

#### FUNCTIONS:

5 GAS BURNERS

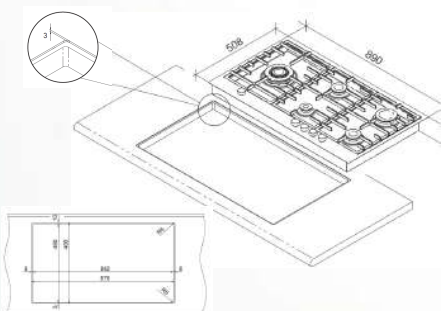
ELECTRONIC IGNITION

SAFETY DEVICE

#### HEATING ELEMENTS:

VOLTAGE :	220-240 V
RAPID GAS BURNER:	2500 W
SEMI- RAPID GAS BURNER :	1750 W
AUXILIARY GAS BURNER :	1000 W
WOK (TRIPPLE FLAME) :	4000 W
ROHS COMPLIANCE:	YES
CE COMPLIANCE :	YES
GAS TYPE :	G30-30 MBAR
ENERGY EFFICIENCY CLASS	-
CARTON BOX PACKING :	960 X 560 X 150 MM

#### INSTALLATION DIAGRAM:



#### DETAILS:

■ BLACK  
WIDTH 890 MM  
HEIGHT 508 MM  
DEPTH 65 MM  
CUT-OUT: 860 X 480 MM

NBM0002550X



CODE: HBG9005023

### TWIN INOX

90 CM STAINLESS STEEL HOB, CAST IRON HOB PAN SUPPORT,  
1MM EDGE

#### FUNCTIONS:

5 GAS BURNERS

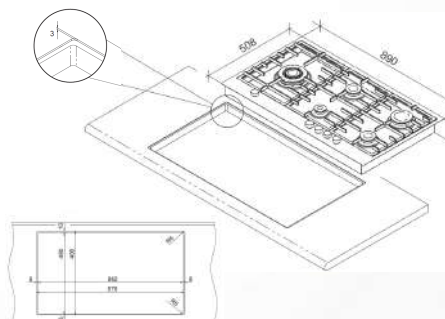
ELECTRONIC IGNITION

SAFETY DEVICE

#### HEATING ELEMENTS:

VOLTAGE :	220-240 V
RAPID GAS BURNER:	2500 W
SEMI- RAPID GAS BURNER :	1750 W
AUXILIARY GAS BURNER :	1000 W
WOK (TRIPPLE FLAME) :	4000 W
ROHS COMPLIANCE:	YES
CE COMPLIANCE :	YES
GAS TYPE :	G30-30 MBAR
ENERGY EFFICIENCY CLASS	-
CARTON BOX PACKING :	960 X 560 X 150 MM

#### INSTALLATION DIAGRAM:



#### DETAILS:

■ INOX FRAME  
WIDTH 890 MM  
HEIGHT 508 MM  
DEPTH 65 MM  
CUT-OUT: 860X 480 MM

NBM0003225X



CODE: HBG9005004

### PANORAMIC NERO

90 CM STAINLESS STEEL HOB, CAST IRON PAN SUPPORT

#### FUNCTIONS:

5 GAS BURNERS

ELECTRONIC IGNITION

SAFETY DEVICE

#### HEATING ELEMENTS:

VOLTAGE :	220 V
RAPID GAS BURNER:	3300 W X1
SEMI- RAPID GAS BURNER :	3000 W
AUXILIARY GAS BURNER :	1750 W X1
WOK (TRIPLE FLAME) :	1000 W
ROHS COMPLIANCE:	WITHOUT
CE COMPLIANCE :	WITH
GAS TYPE :	LPG
ENERGY EFFICIENCY CLASS	1
CARTON BOX PACKING :	910 X 545 X 130 MM

#### INSTALLATION DIAGRAM:



#### DETAILS:

■ NERO  
WIDTH 860 MM  
HEIGHT 510 MM  
DEPTH 120 MM  
CUT-OUT: 840 X 480 MM

NBM0001500X







GAS HOB  
60/90 SERIES  
LARGO





CODE: HBG9006005  
**LARGO 90 6G**

90 CM GAS HOB, ENAMELED CAST IRON PAN SUPPORT,  
STAINLESS STEEL

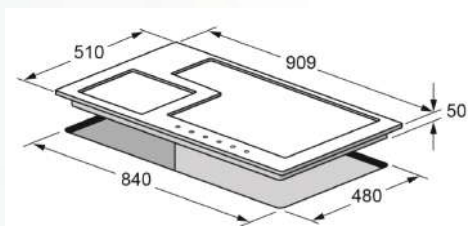
**FUNCTIONS:**

6 GAS BURNERS  
ELECTRONIC IGNITION  
SAFETY DEVICE

**HEATING ELEMENTS:**

SEMI-RAPID BURNER	1000 W
AUXILIARY BURNER	1750 W
RAPID BURNER	3000 W

**INSTALLATION DIAGRAM:**



**DETAILS:**

■ INOX  
WIDTH 909 MM  
HEIGHT 510 MM  
DEPTH 50 MM  
CUT-OUT: 840 X 480 MM  
**NBM0002995X**



CODE: HBG9005020  
**LARGO 90 5G**

90 CM GAS HOB, ENAMELLED CAST IRON PAN SUPPORT,  
STAINLESS STEEL

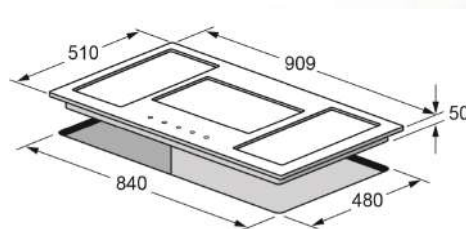
**FUNCTIONS:**

5 GAS BURNERS  
ELECTRONIC IGNITION  
SAFETY DEVICE

**HEATING ELEMENTS:**

SEMI-RAPID BURNER	1000 W
AUXILIARY BURNER	1750 W
RAPID BURNER	3000 W

**INSTALLATION DIAGRAM:**



**DETAILS:**

■ INOX  
WIDTH 909 MM  
HEIGHT 510 MM  
DEPTH 50 MM  
CUT-OUT: 840 X 480 MM  
**NBM0002700X**



CODE: HBG9005016

## ARC

90CM STAINLESS STEEL GAS HOB,  
CAST IRON PAN SUPPORT, 8MM EDGE

### FUNCTIONS:

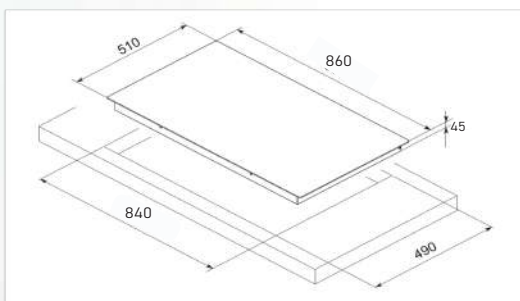


5 GAS BURNERS BUILT- IN                      METAL KNOBS  
BURNER COVER , CAST IRON , MATTE  
AND HEAT RESISTANT ALUMINIUM WITH FFD  
AUTO IGNITION  
SAFETY DEVICE

### HEATING ELEMENTS:

UPPER LEFT	3000 W
LOWER LEFT	1750 W
CENTER TOP	1750 W
CENTER BOTTOM	1000 W
RIGHT-MOST	3300 W

### INSTALLATION DIAGRAM:



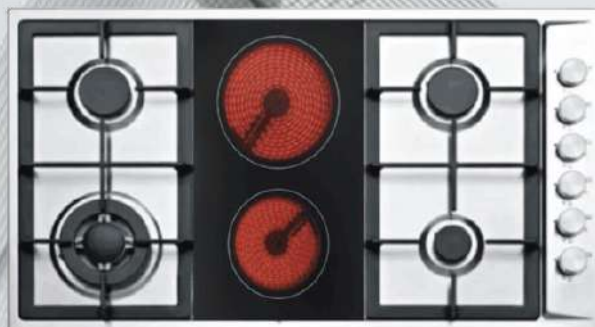
### DETAILS:

■ INOX  
WIDTH 860MM  
HEIGHT 510MM  
DEPTH 45 MM  
CUT-OUT: 840 X 490 MM

NBM0001850X



GAS /60/90 SERIES



CODE: HBG9005017

**LIBRA 90 4G**

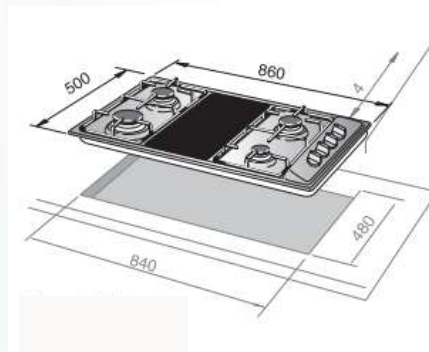
90 CM GAS HOB, ENAMELLED CAST IRON PAN SUPPORT, STAINLESS STEEL

FUNCTIONS:



- STAINLESS STEEL DESIGN
- 4 GAS BURNERS
- 1 TRIPLE RING WOK BURNER
- 2 ZONES VITROCERAMIC / 2 HI-LIGHT HEATING ZONES
- AUTO IGNITION / SAFETY DEVICES
- CAST IRON PAN SUPPORTS / SIDE CONTROLS
- ACCESSORY: CAST IRON WOK STAND
- EL 3070

INSTALLATION DIAGRAM:



DETAILS:

- INOX
- WIDTH 860MM
- HEIGHT 500 MM
- DEPTH 45 MM
- CUT-OUT: 840 X 480 MM

**NBM0002750X**



CODE: HBG9005006

**DELUX 90**

90 CM GAS HOB, ENAMELED CAST IRON PAN SUPPORT, STAINLESS STEEL

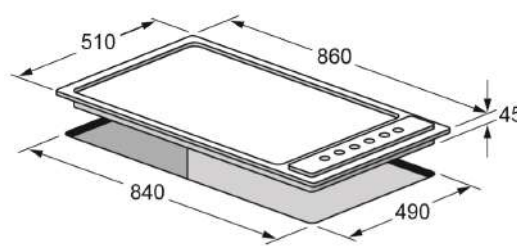
FUNCTIONS:

- 5 GAS BURNERS
- ELECTRONIC IGNITION
- SAFETY DEVICE

HEATING ELEMENTS:

SEMI-RAPID BURNER	1000 W
AUXILIARY BURNER	1750 W
RAPID BURNER	3000 W

INSTALLATION DIAGRAM:



DETAILS:

- INOX
- WIDTH 860 MM
- HEIGHT 510 MM
- DEPTH 45 MM
- CUT-OUT: 840 X 490 MM

**NBM0001750X**



CODE: HBG9005007

**BOX 90**

90 CM STAINLESS STEEL HOB, CAST IRON PAN SUPPORT

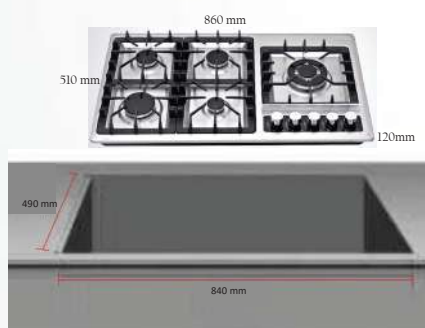
**FUNCTIONS:**

- 5 GAS BURNERS
- AC IGNITION
- SAFETY VALVE DEVICE

**HEATING ELEMENTS:**

UPPER LEFT	3000 W
LOWER LEFT	1750 W
CENTER TOP	1750 W
CENTER BOTTOM	1000 W
RIGHT-MOST	3300 W
N.W	3300 W
G.W	3300 W

**INSTALLATION DIAGRAM:**



**DETAILS:**

- INOX
- WIDTH 860 MM
- HEIGHT 510 MM
- DEPTH 120 MM
- CUT-OUT: 840 X 490 MM

NBM0001500X



CODE: HBG9005008

**PANORAMIC INOX**

90 CM STAINLESS STEEL HOB, CAST IRON PAN SUPPORT

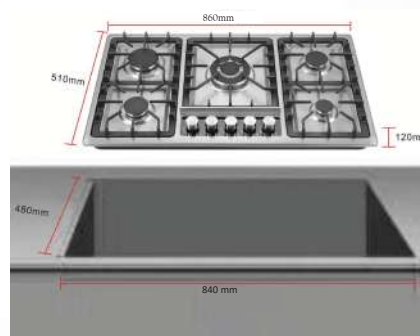
**FUNCTIONS:**

- 5 GAS BURNERS
- AC IGNITION
- SAFETY VALVE DEVICE

**HEATING ELEMENTS:**

VOLTAGE :	220 V
RAPID GAS BURNER:	3300 W X1
SEMI- RAPID GAS BURNER :	3000 W
AUXILIARY GAS BURNER :	1750 W X1
WOK (TRIPLE FLAME) :	1000 W
RHOS COMPLIANCE:	WITHOUT
CE COMPLIANCE :	WITH
GAS TYPE :	LPG
ENERGY EFFICIENCY CLASS	1
CARTON BOX PACKING :	910 X 545 X 130 MM

**INSTALLATION DIAGRAM:**



**DETAILS:**

- INOX
- WIDTH 860 MM
- HEIGHT 510 MM
- DEPTH 120 MM
- CUT-OUT: 840 X 480 MM

NBM0001400X



CODE: HBG6004011  
**TWIN 60 4B**

60 CM STAINLESS STEEL HOB, CAST IRON PAN SUPPORT,  
1MM EDGE

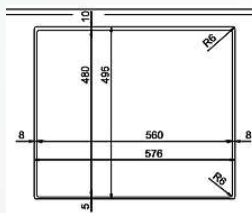
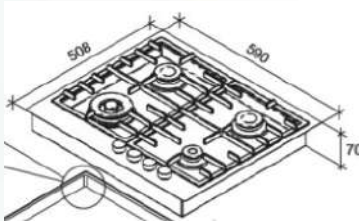
**FUNCTIONS:**

- 4 GAS BURNERS
- ELECTRONIC IGNITION
- SAFETY DEVICE

**HEATING ELEMENTS:**

- SEMI-RAPID BURNER 1750 W
- AUXILIARY BURNER 1000 W
- DOUBLE RING BURNER 3500 W

**INSTALLATION DIAGRAM:**



**DETAILS:**

■ INOX

- WIDTH 590 MM
- HEIGHT 508 MM
- DEPTH 70 MM
- CUT-OUT: 560 X 480 MM

**NBM0002450X**





CODE: HBG6004012

### DELUX 60

60 CM STAINLESS STEEL GAS HOB,  
CAST IRON PAN SUPPORT, 8MM EDGE

#### FUNCTIONS:

SIDEL METAL KNOBS

4 GAS BURNERS

AUTO IGNITION

SAFETY DEVICE

#### DETAILS:

■ INOX

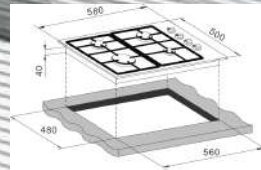
WIDTH 580 MM  
HEIGHT 500 MM  
DEPTH 40 MM  
CUT-OUT: 560 X 480 MM

NBM0001095X

#### HEATING ELEMENTS:

VOLTAGE :	220 V
RAPID GAS BURNER:	-
SEMI- RAPID GAS BURNER :	1.75 KW X 2
AUXILIARY GAS BURNER :	1.0 KW X 1
WOK (TRIPLE FLAME) :	3.5 KW X 1
ROHS COMPLIANCE:	YES
CE COMPLIANCE :	YES
GAS TYPE :	LPG
ENERGY EFFICIENCY CLASS	EE GAS HOB >54
CARTON BOX PACKING :	620X 550 X 145 MM
N.W	8.2 KG
G.W	9.1 KG

#### INSTALLATION DIAGRAM:



REF: JICC6042



CODE: HBG6004013

### QUADRA 60 4G

60 CM STAINLESS STEEL GAS HOB,  
CAST IRON PAN SUPPORT, 8MM EDGE

#### FUNCTIONS:



STAINLESS STEEL KNOBS

4 GAS BURNERS

ELECTRONIC IGNITION

SAFETY DEVICE

#### DETAILS:

■ INOX

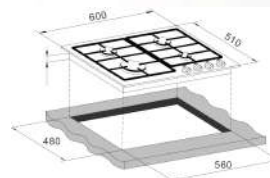
WIDTH 600 MM  
HEIGHT 510 MM  
DEPTH 40 MM  
CUT-OUT: 560 X 480 MM

NBM0001050X

#### HEATING ELEMENTS:

VOLTAGE :	220 V
RAPID GAS BURNER:	-
SEMI- RAPID GAS BURNER :	1.75 KW X 2
AUXILIARY GAS BURNER :	1.0 KW X 1
WOK (TRIPLE FLAME) :	3.5 KW X 1
ROHS COMPLIANCE:	YES
CE COMPLIANCE :	YES
GAS TYPE :	LPG
ENERGY EFFICIENCY CLASS	EE GAS HOB >54
CARTON BOX PACKING :	620X 550 X 145 MM
N.W	8.2 KG
G.W	9.1 KG

#### INSTALLATION DIAGRAM:



REF: CMQUADE604G



CODE: HBG6004014

### EASY 60

60 CM STAINLESS STEEL GAS HOB,  
CAST IRON PAN SUPPORT, 8MM EDGE

#### FUNCTIONS:



SIDEL METAL KNOBS

4 GAS BURNERS

AUTO IGNITION

SAFETY DEVICE

#### DETAILS:

■ INOX

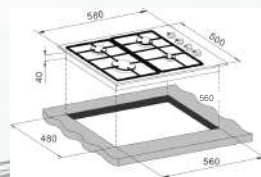
WIDTH 580 MM  
HEIGHT 500 MM  
DEPTH 40 MM  
CUT-OUT: 560 X 480 MM

NBM000725X

#### HEATING ELEMENTS:

SEMI-RAPID BURNER	-	W
AUXILIARY BURNER	-	W
TRIPLE RING BURNER	-	W
N.W	8.2 KG	
G.W	9.1 KG	

#### INSTALLATION DIAGRAM:



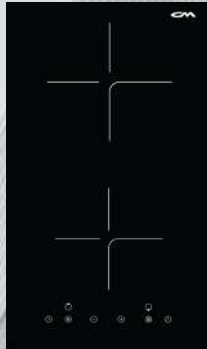




# INDICTION 30



## SPECIAL 30 SERIES



CODE: HBI3002006  
**CHARM 30**

30 CM INDUCTION HOB

**FUNCTIONS:**

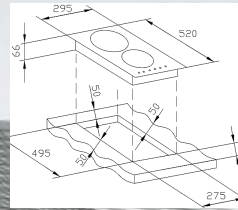


RESIDUAL HEATING INDICATOR  
TOUCH CONTROL  
AUTOMATIC STOP

**HEATING ELEMENTS:**

VOLTAGE : 220-240 V~  
TOTAL POWER : 3500 W  
BURNER-1 (LEFT BOTTOM) : 9/BOOSTER : 1500 W /18  
BURNER-2 (RIGHT TOP) : 9/BOOSTER : 1800 W /23  
BURNER-3 (RIGHT TOP) : /  
BURNER-4 (RIGHT BOTTOM) : /  
WEIGHT N/G 4.6/5.4  
ROHS COMPLIANCE: YES  
CE COMPLIANCE : YES  
CARTON BOX PACKING : 360 X 600 X 110 MM

**INSTALLATION DIAGRAM:**



**DETAILS:**

■ BLACK  
WIDTH 295 MM  
HEIGHT 520 MM  
DEPTH 66 MM  
3500W MAX POWER  
CUT-OUT: 275 X 495MM  
**NBM0001525X**



CODE: HBI3001005  
**WOK**

**HEATING ELEMENTS:**

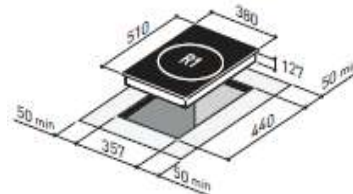
R1 Ø 310MM 2400 (3000) W

**FUNCTIONS:**



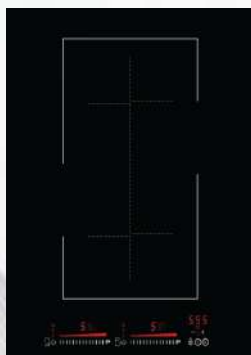
OVERFLOW SAFETY DEVICE  
RESIDUAL HEAT  
CHILD SAFETY LOCK  
BOOSTER  
AUTOMATIC STOP  
POT DIAMETER DETECTOR  
HEAT UP

**INSTALLATION DIAGRAM:**



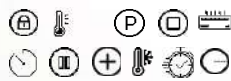
**DETAILS:**

■ BLACK  
CUT-OUT: 440 X 357 MM  
510 MM HEIGHT  
380 MM WIDTH  
127 MM DEPTH  
3000W MAX POWER  
**NBM0007500X**



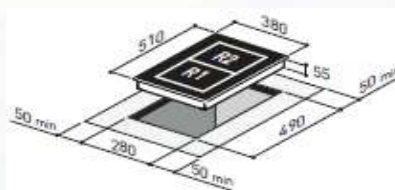
CODE: HBI3001006  
**FLEXI ZONE**

**FUNCTIONS:**



OVERFLOW SAFETY DEVICE  
RESIDUAL HEAT  
CHILD SAFETY LOCK  
BOOSTER  
POT DIAMETER DETECTOR  
AUTOMATIC STOP  
HEAT UP  
MINUTE MINDER  
PAUSE / RECALL  
BRIDGE  
LOW TEMPERATURE  
TIMER

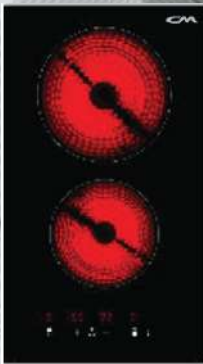
**INSTALLATION DIAGRAM:**



**DETAILS:**

■ BLACK  
CUT-OUT: 490 X 280 MM  
510 MM HEIGHT  
380 MM WIDTH  
55 MM DEPTH  
3700W MAX POWER  
**NBM0004500X**

## SPECIAL 30 SERIES



CODE:HBC3002005

### HI LITE/DREAM 30

#### FUNCTIONS:

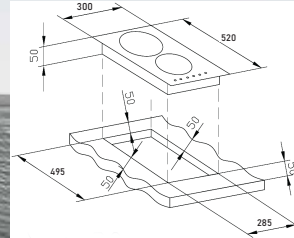


30 CM ELECTRIC HOB, 4MM EDGE,  
VITROCERAMIC  
9 POWER LEVELS L BEVELED GLASS  
RESIDUAL HEATING INDICATOR / TIMER  
TOUCH CONTROL / SAFETY KEY LOCK  
2 HI-LIGHT / INDICATOR LIGHT  
ELECTRONIC TOUCH

#### HEATING ELEMENTS:

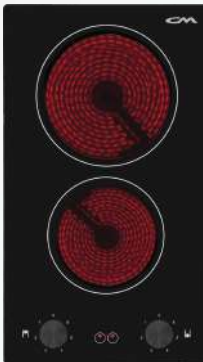
VOLTAGE : (LEFT BOTTOM) :	220-240 V~ 50/60HZ
TOTAL POWER :	3000 W
BURNER-1 :	1200W/165MM W
BURNER-2 (RIGHT TOP) :	1800W/1200MM W
ENERGY EFFICIENCY:	3
ROHS COMPLIANCE:	YES
CE COMPLIANCE :	YES
CARTON BOX PACKING :	570 X 365 X 110 MM

#### INSTALLATION DIAGRAM:



#### DETAILS:

■ BLACK  
WIDTH 300 MM  
HEIGHT 520 MM  
DEPTH 50 MM  
3000W MAX POWER  
CUT-OUT: 285 X 495 MM  
**NBM000925X**



CODE: HBC3002007

### VD30

#### FUNCTIONS:

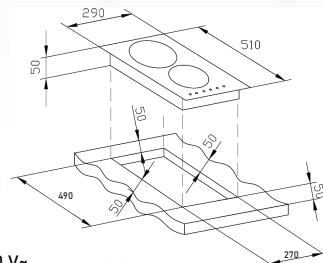


30 CM ELECTRIC HOB, 4MM EDGE,  
VITROCERAMIC  
9 POWER LEVELS L BEVELED GLASS  
RESIDUAL HEATING INDICATOR / TIMER  
TOUCH CONTROL / SAFETY KEY LOCK  
2 HI-LIGHT / INDICATOR LIGHT  
ELECTRONIC TOUCH

#### HEATING ELEMENTS:

VOLTAGE :	220-240 V~
TOTAL POWER :	3000 W
BURNER-1 LEFT BOTTOM) :	1200 W
BURNER-2 (RIGHT TOP) :	1800 W
BURNER-3 (RIGH TOP) :	-
BURNER-4 (RIGHT BOTTOM)	-
ROHS COMPLIANCE:	YES
CE COMPLIANCE :	YES
CARTON BOX PACKING :	330 X 575 X 125 MM

#### INSTALLATION DIAGRAM:



#### DETAILS:

■ BLACK  
WIDTH 290 MM  
HEIGHT 510 MM  
DEPTH 50 MM  
3000W MAX POWER  
CUT-OUT: 270 X 490 MM  
**NBM000850X**



CODE: HBE3001001

### DOMINO 30

30 CM ELECTRIC HOB, 8MM EDGE,  
STAINLESS STEEL

#### FUNCTIONS:

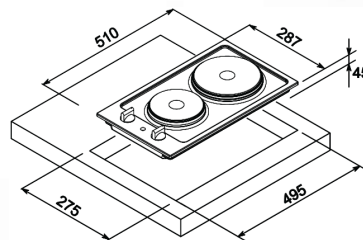


2 RAPID PLATES  
INDICATOR LIGHT

#### HEATING ELEMENTS:

VOLTAGE :	220-240 V~
TOTAL POWER :	6000 W
BURNER-1 LEFT BOTTOM) :	1200 W
BURNER-2 (RIGHT TOP) :	1800 W
BURNER-3 (RIGH TOP) :	1200 W
BURNER-4 (RIGHT BOTTOM)	1800 W
ROHS COMPLIANCE:	YES
CE COMPLIANCE :	YES
CARTON BOX PACKING :	630 X 570 X 115 MM

#### INSTALLATION DIAGRAM:



#### DETAILS:

■ INOX  
WIDTH 287 MM  
HEIGHT 510 MM  
DEPTH 45 MM  
3500W MAX POWER  
CUT-OUT: 275X 495 MM  
**NBM000595X**

## SPECIAL 30 SERIES



CODE: HBG3002014  
**CRYSTAL 30**

30 CM GAS ON GLASS HOB,  
CAST IRON PAN SUPPORT,  
8MM EDGE

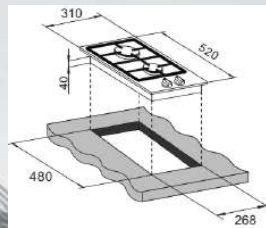
### FUNCTIONS:

2 GAS BURNER  
ELECTRONIC IGNITION  
SAFETY DEVICE

### HEATING ELEMENTS:

VOLTAGE : 220 V  
RAPID GAS BURNER: 3000 W X1  
SEMI- RAPID GAS BURNER : -  
AUXILIARY GAS BURNER : 1000 W X1  
WOK (TRIPLE FLAME) :  
RHOS COMPLIANCE: YES  
CE COMPLIANCE : YES  
GAS TYPE : LPG  
ENERGY EFFICIENCY CLASS EE GAS HOB >54  
CARTON BOX PACKING : 335 X 555 X 145 MM

### INSTALLATION DIAGRAM:



### DETAILS:

■ BLACK  
WIDTH 310 MM  
HEIGHT 520 MM  
DEPTH 40 MM  
4000W MAX POWER  
CUT-OUT: 268X 480 MM  
**NBM000975X**



CODE: HBG3002016  
**QUADRA 30 G**

30 CM STAINLESS STEEL GAS HOB,  
8MM EDGE

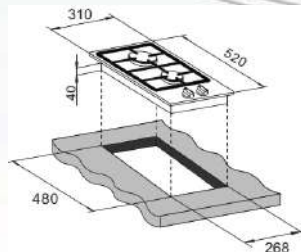
### FUNCTIONS:

2 GAS BURNER  
ELECTRONIC IGNITION

### HEATING ELEMENTS:

VOLTAGE : 220 V  
RAPID GAS BURNER: 3000 W X1  
SEMI- RAPID GAS BURNER : -  
AUXILIARY GAS BURNER : 1000 WX1  
WOK (TRIPLE FLAME) :  
RHOS COMPLIANCE: YES  
CE COMPLIANCE : YES  
GAS TYPE : LPG  
ENERGY EFFICIENCY CLASS EE GAS HOB >54  
CARTON BOX PACKING : 335 X 555 X 145 MM

### INSTALLATION DIAGRAM:



### DETAILS:

■ INOX  
WIDTH 310 MM  
HEIGHT 520 MM  
DEPTH 40 MM  
4000W MAX POWER  
CUT-OUT: 268 X 480 MM  
**NBM000545X**



CODE: HBG3001015  
**MAYA GLASS NERO**

30 CM GLASS BUILT IN HOB,  
8MM EDGE

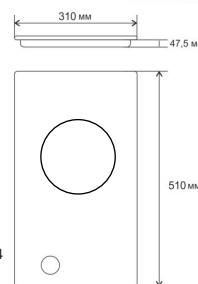
### FUNCTIONS:

SABAF BURNER  
CAST IRON PAN SUPPORT  
FFD ( SAFETY) LPG  
ELECTRONIC IGNITION

### HEATING ELEMENTS:

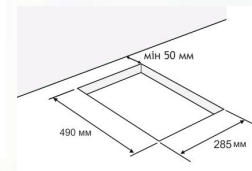
VOLTAGE : 220 V  
RAPID GAS BURNER: 3000 W X1  
SEMI- RAPID GAS BURNER : -  
AUXILIARY GAS BURNER : 1000 W X1  
WOK (TRIPLE FLAME) :  
RHOS COMPLIANCE: YES  
CE COMPLIANCE : YES  
GAS TYPE : LPG  
ENERGY EFFICIENCY CLASS EE GAS HOB >54  
CARTON BOX PACKING :

### INSTALLATION DIAGRAM:



### DETAILS:

■ BLACK  
WIDTH 310 MM  
HEIGHT 510 MM  
DEPTH 50 MM  
4000W MAX POWER  
CUT-OUT: 285X 490 MM  
**NBM000695X**



CODE:HBG3001017  
**MAYA INOX**

30 CM STAINLESS STEEL BUILT IN HOB,  
8MM EDGE

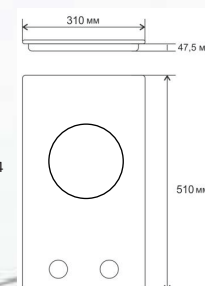
### FUNCTIONS:

SABAF BURNER  
CAST IRON PAN SUPPORT  
FFD ( SAFETY) LPG  
ELECTRONIC IGNITION

### HEATING ELEMENTS:

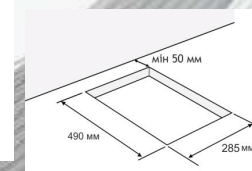
VOLTAGE : 220 V  
RAPID GAS BURNER: 3000W X1  
SEMI- RAPID GAS BURNER : -  
AUXILIARY GAS BURNER : 1000 W X1  
WOK (TRIPLE FLAME) :  
RHOS COMPLIANCE: YES  
CE COMPLIANCE : YES  
GAS TYPE : LPG  
ENERGY EFFICIENCY CLASS EE GAS HOB >54  
CARTON BOX PACKING :

### INSTALLATION DIAGRAM:



### DETAILS:

■ INOX  
WIDTH 310 MM  
HEIGHT 510 MM  
DEPTH 50 MM  
4000W MAX POWER  
CUT-OUT: 285 X 490 MM  
**NBM000550X**





HOBBS

C

L

A

S

S

I

C



## CLASSIC GAS HOB 60/90



CODE: HBG9005018

### CLASSICO H90I

90 CM CLASSIC GAS HOB, CAST IRON PAN SUPPORT,  
AUTO-IGNITION

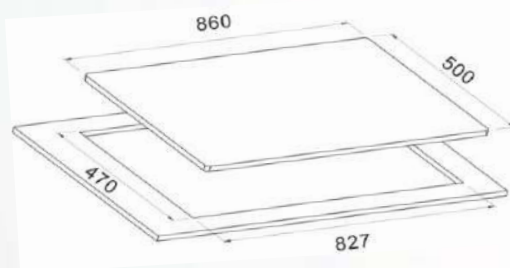
#### FUNCTIONS:

5 GAS BURNER  
FLAME FAILURE DEVICE  
ELECTRONIC IGNITION

#### HEATING ELEMENTS:

AUXILIARY BURNER	1000 W
SEMI-RAPID BURNER	1750 W
TRIPLE RING BURNER	3500 W
RAPID BURNER	3000 W

#### INSTALLATION DIAGRAM:



#### DETAILS:

■ IVORY PANEL  
WIDTH 860 MM  
HEIGHT 500 MM  
DEPTH 55 MM  
CUT-OUT: 827 X 470 MM

NBM0002300X



CODE: HBG9005022

### COLONIAL 90

90 CM CLASSIC GAS HOB, ENAMELED STEEL PAN SUPPORT,  
KNOBS PROTECTION BAR

#### FUNCTIONS:

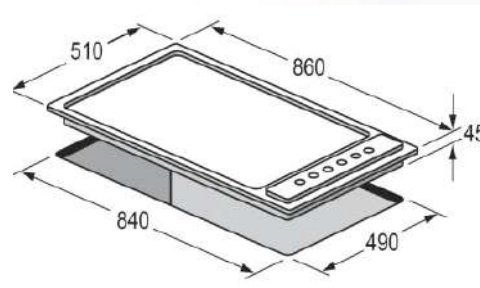


5 GAS BURNERS WITH PILOT FLAME CLASSIC KNOBS  
ELECTRONIC IGNITION  
ADAPTABLE FOR ANY TYPES OF GAS

#### HEATING ELEMENTS:

FR AUXILIARY	1000 W
FC RAPID	3000 W
FL RAPID	3000 W
RR SEMI-RAPID	1750 W
RL SEMI-RAPID	1750 W

#### INSTALLATION DIAGRAM:



#### DETAILS:

■ BLACK  
WIDTH 860 MM  
HEIGHT 510 MM  
DEPTH 45 MM  
CUT-OUT: 840 X 490 MM

NBM0002300X

## CLASSIC GAS HOB 60/90



CODE: HBG6004019

### CLASSICO H60I

60 CM CLASSIC GAS HOB, CAST IRON PAN SUPPORT,  
AUTO-IGNITION

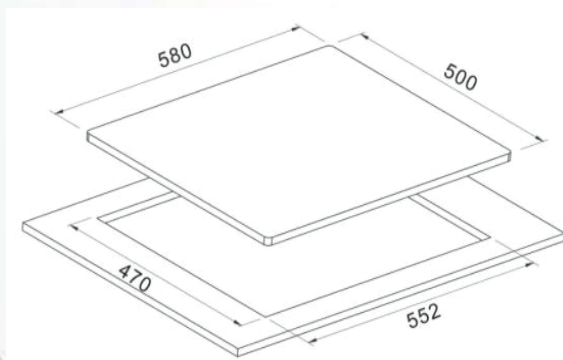
#### FUNCTIONS:

4 GAS BURNER  
FLAME FAILURE DEVICE  
ELECTRONIC IGNITION

#### HEATING ELEMENTS:

AUXILIARY BURNER	1000 W
SEMI-RAPID BURNER	1750 W
TRIPLE RING BURNER	3500 W

#### INSTALLATION DIAGRAM:



#### DETAILS:

■ IVORY PANEL  
WIDTH 580 MM  
HEIGHT 500 MM  
DEPTH 55 MM  
CUT-OUT: 470 X 552 MM

**NBM0001300X**





# FREE-STANDING COOKER



## FREESTANDING COOKERS



CODE : FFGG9005003

### F96F51X

#### FEATURES:

MULTIFUNCTION GAS BURNER WITH OVEN  
ENERGY EFFICIENCY CLASS B  
5 GAS COOKER BURNERS  
ENAMEL PAN SUPPORT  
GAS OVEN WITH GRILL  
STANDARD FLAT HOT SURFACE WITH INDICATOR LIGHT  
KNOB PROGRAMMER  
FAN ASSISTED OVEN  
GRILL FUNCTION  
THERMOSTAT  
COOLING FAN  
MINUTE MINDER  
LIGHT  
  
FLAP DRAWER  
SPLASH BACK  
TRIPLE GLAZED DOOR  
1 GRID  
1 TRAY

#### DETAILS:

■ INOX  
FRAMELESS  
WIDTH 900 MM  
HEIGHT 765 MM  
DEPTH 650 MM  
NBM0002950X



CODE : FFGG9005005

### 90GG1XFS

#### FEATURES:

90X60 SEMI-PROFESSIONAL GAS COOKERS  
STAINLESS STEEL TOP TABLE (304 QUALITY- PURE STAINLESS)  
FULL BODY IS INOX PAINTED  
5 GAS EURO POOL BURNERS  
MIDDLE BURNER IS TRIPLE  
( ITALIAN SABAF)  
GLASS LID COVER WITH ALEMINIUM PROFILE FULL SAFETY BOTH  
HOB AND OVEN PARTS  
FULL IGNITION  
BOTH HOB AND OVEN PARTS SEMI CAST IRON MATT GRIDS  
GAS OVEN MECHANICAL  
TIMER TURBOFAN  
FULL CLOSED DOOR  
GRILLING IN BOTH OVEN  
BURNERS IN USE DOUBLE OVEN LAMP  
DOUBLE CHICKEN ROTISSERIE  
DOUBLE DOOR OVEN GLASS  
1 DEEP ENEMAL  
TRAY+ 1 GRID IN THE OVEN FIXED DRAWER  
REMOVABLE INNER GLASS  
STANDARD BLACK COLOR OVEN

#### DETAILS:

■ INOX  
FRAMELESS  
WIDTH 900 MM  
HEIGHT 765 MM  
DEPTH 650 MM  
NBM0002550X



## FREESTANDING COOKERS



CODE : FFG6004004

### F66G40X

#### FEATURES:

MULTIFUNCTION GAS BURNER WITH OVEN  
ENERGY EFFICIENCY CLASS B  
4 GAS COOKER BURNERS  
ENAMEL PAN SUPPORT  
GAS OVEN WITH GRILL  
STANDARD FLAT HOT SURFACE WITH INDICATOR LIGHT  
KNOB PROGRAMMER  
FAN ASSISTED OVEN  
GRILL FUNCTION  
THERMOSTAT  
COOLING FAN  
MINUTE MINDER  
LIGHT

FLAP DRAWER  
SPLASH BACK  
TRIPLE GLAZED DOOR  
1 GRID  
1 TRAY

#### DETAILS:

■ INOX  
FRAMELESS  
WIDTH 600 MM  
HEIGHT 765 MM  
DEPTH 650 MM

NBM0001950X



CODE : FFEE9005001

### F96MV05X2

#### FEATURES:

MULTIFUNCTION CERAMIC COOKER WITH OVEN  
ENERGY EFFICIENCY CLASS B  
ELECTRIC CERAMIC COOKER  
5 COOKING PLATES  
STANDARD FLAT HOT SURFACE WITH INDICATOR LIGHT  
DIGITAL AND KNOB PROGRAMMER  
FAN ASSISTED OVEN  
GRILL FUNCTION  
THERMOSTAT  
COOLING FAN  
TIMER  
MINUTE MINDER  
LIGHT  
TURNSPIT

SPLASH BACK  
TRIPLE GLAZED DOOR  
1 GRID  
1 TRAY

#### DETAILS:

■ INOX  
FRAMELESS  
WIDTH 900 MM  
HEIGHT 765 MM  
DEPTH 650 MM

NBM0004800X

# REFRIGERATION





## FREESTANDING SERIES



911 COMBI FRIDGE & FREEZER



620 FREESTAND FRIDGE NET



912 FREESTANDING



643 COMBI FRIDGE & FREEZER



463 FREESTAND INOX



379 FREESTAND STANSTEEL

## BUILT-IN SERIES



2795 BUILT-IN FULL FRIDGE



2791 BUILT-IN FULL FREEZER



2761 BUILT-IN COMBI FRIDGE & FREEZER



2770 BUILT-IN COMBI FRIDGE & FREEZER



2760/2764 BUILT-IN COMBI FRIDGE & FREEZER



2759 BUILT-IN COMBI FRIDGE & FREEZER



2400 BUILT-IN COMBI FRIDGE & FREEZER

## UNDERCOUNTER SERIES



1600 UNDER-COUNTER FRIDGE



1650 UNDER-COUNTER FREEZER



1700 UNDER-COUNTER FRIDGE

## BEVERAGE COOLER SERIES



YC-259



FWC 150 B



YC55



## FREESTANDING SERIES



**911**

CODE : FCNFFS9001

### FREESTAND COMBI REFRIGERATOR AND FREEZER

#### FEATURES

- NO FROST MULTI-COOLING TECH
- DOOR ALARM
- CHILD LOCK
- ELECTRONIC CONTROL (DISPLAY ON DOOR)
- FRIDGE LED LIGHTING
- CHILL ZONE
- ADJUSTABLE TEMPERED GLASS SHELVES
- ICE TRAY
- EGG HOLDERS
- TRANSPARENT ACCESSORIES
- FREEZER SHIELD
- LEVELING FEET
- FRONT AND REAR ROLLERS

#### TECHNICAL DATA

● PRODUCT DIMENSION (W X D X H)	910 X 763 X 1,850 MM
● NET VOLUME	609 L
● NET FREEZER VOLUME	211 L
● NET REFRIGERATOR VOLUME	398 L
● NOISE LEVEL (DB)	43
● VOLTAGE	220-240V
● FREQUENCY	50HZ
● ANNUAL ENERGY CONSUMPTION (KW/Y)	421
● ENERGY CONSUMPTION (KW/D)	1.153
● GAS TYPE	R600A
● DEFROST	NO FROST
● ENERGY EFFICIENCY	A+/3 STAR
● PACKING DIMENSIONS WXHXD	1025 X 878 X 1,950 MM

NBM0008950X

## FREESTANDING SERIES



### CM 620

CODE : FCNFFS9002

FREE STAND FRIDGE

MULTICOOLING NOFROST TECHNOLOGY

ELECTRONIC CONTROL (INNER DISPLAY)

FRIDGE LED LIGHTING (Iop)

TEMPERED GLASS SHELVES (FRIDGE)

6 DOOR RACKS (FRIDGE)

SLIDING TRAYS (FREEZER)

FREEZER SHIELD

EGG HOLDERS

ICE TRAY

CHILL ZONE

SENSOR (pcs) : 4



● PRODUCT DIMENSION (W X D X H)	840 X 690 X 1,790 MM
● NET VOLUME	459-488 L
● NET FREEZER VOLUME	140-166L
● NET REFRIGERATOR VOLUME	319-322 L
● NOISE LEVEL (DB)	39
● VOLTAGE	220-240v
● FREQUENCY	50hz
● ANNUAL ENERGY CONSUMPTION (KW/Y)	627
● Energy consumption (Kw/d)	1.71
● GAS TYPE	R600a
● DEFROST	No Frost
● ENERGY EFFICIENCY	A+/3 Star
● PACKING DIMENSIONS	900X 730X 1,865 MM

NBM0003975X



# FREESTANDING FRIDGE



**912**

CODE : FCNFFS9006

## FEATURES

ENERGY EFFICIENCY CLASS: A++

NET CAPACITY: 562 LITERS

NET FRIDGE CAPACITY: 365 LITERS

NET FREEZER CAPACITY: 197 LITERS

MAX NOISE LEVEL: 43 DB(A)

INVERTER SYSTEM

NO FROST: FRIDGE / FREEZER

MULTI AIR FLOW COOLING SYSTEM

LECO SYSTEM

LED INTERIOR LIGHT

FAST FREEZING FUNCTION

LED DISPLAY WITH TOUCH CONTROL

REFRIGERATOR COMPARTMENT SEPARATELY OFF

SMART MODE

CHILD LOCK

TEMP CONTROL DISPLAY: ELECTRONIC + LED

FRIDGE

NUMBER OF STORAGE SHELVES: 3

DRAWER COVER SHELF: 1

STORAGE RACKS: 3

FREEZER

NUMBER OF STORAGE SHELVES: 3

DRAWER COVER SHELF: 1

STORAGE RACKS: 3

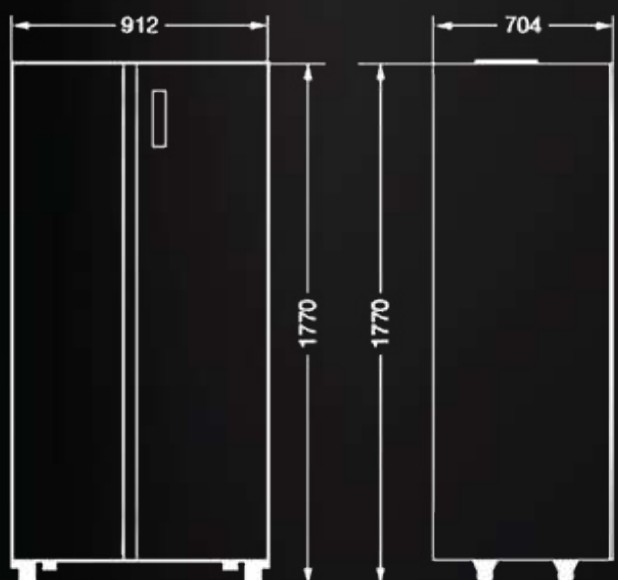
NET WEIGHT: 85 KG

GROSS WEIGHT: 95 KG

EXTERNAL DIMENSIONS:

H 1770 X W 912 X D 704 MM

## INSTALLATION DIAGRAM:



NBM0003750X

## FREESTANDING SERIES



**643**

CODE : FCNFFS9003

### FREESTAND COMBI REFRIGERATOR AND FREEZER

#### FEATURES

- NO FROST MULTI-COOLING TECH
- DOOR ALARM
- CHILD LOCK
- ELECTRONIC CONTROL (INNER DISPLAY)
- FRIDGE LED LIGHTING (SIDES)
- CHILL ZONE
- HUMIDITY CONTROLLED CRISPER
- ADJUSTABLE DOOR RACKS
- FREEZER DOOR RACKS
- ADJUSTABLE TEMPERED GLASS SHELVES
- FREEZER SHIELD
- CLEAN BACK
- ZERO CLEARANCE
- REVERSIBLE DOORS
- LEVELING FEET
- FRONT AND REAR ROLLERS



#### TECHNICAL DATA

● PRODUCT DIMENSION (W X D X H)	840 X 750X 1,860 MM
● NET VOLUME	587 L
● NET FREEZER VOLUME	142 L
● NET REFRIGERATOR VOLUME	445 L
● NOISE LEVEL (DB)	41
● VOLTAGE	220-240v
● FREQUENCY	50hz
● ANNUAL ENERGY CONSUMPTION (KW/Y)	462
● ENERGY CONSUMPTION (KW/D)	1.26
● GAS TYPE	R600a
● DEFROST	No Frost
● ENERGY EFFICIENCY	A+/3 Star
● PACKING DIMENSIONS	900X 780X 1,940 MM

NBM0003750X

## FREESTANDING SERIES



**463**

CODE : FCNFFS7004

**FREE STAND 70 cm INOX**

### FEATURES

- NO FROST MULTI-COOLING TECH
- DOOR ALARM
- CHILD LOCK
- ELECTRONIC CONTROL (INNER DISPLAY)
- FRIDGE LED LIGHTING (SIDES)
- CHILL ZONE
- HUMIDITY CONTROLLED CRISPER
- ADJUSTABLE DOOR RACKS
- FREEZER DOOR RACKS
- ADJUSTABLE TEMPERED GLASS SHELVES
- FREEZER SHIELD
- CLEAN BACK
- ZERO CLEARANCE
- REVERSIBLE DOORS
- LEVELING FEET
- FRONT AND REAR ROLLERS



### TECHNICAL DATA

● PRODUCT DIMENSION (W X D X H)	700 x 720 x 1730 MM
● NET VOLUME	403 L
● NET FREEZER VOLUME	98 L
● NET REFRIGERATOR VOLUME	305 L
● NOISE LEVEL (DB)	41
● VOLTAGE	220-240v
● FREQUENCY	50hz
● ANNUAL ENERGY CONSUMPTION (KW/Y)	310
● ENERGY CONSUMPTION (KW/D)	0.849
● GAS TYPE	R600a
● DEFROST	No Frost
● ENERGY EFFICIENCY	A+/3 Star
● PACKING DIMENSIONS	768 x 801 x 1807 MM

**NBM0002895X**

## FREESTANDING SERIES



397

CODE : FCNFFS6005

FREE STAND 60 cm INOX

PRODUCT CATEGORY

PRODUCT STYLE

FREEZER LOCATION

LITER

Refrigeration System

Control System

Climatic Class

Energy Class

DOOR

BACK WALL

PERFORMANCE(STAR RATING)

SITUATION

ENERGY CONSUMPTION(KWH/24H)

ENERGY CONSUMPTION(KWH/YEAR)

FREEZING CAPACITY(KG/24H)

TEMPERATURE RISE TIME(-18°C TO -9°C)(MINS)

TEMPERATURE RISE TIME(-18°C TO -9°C)(H)

NOISE EMISSION DB(A)

DEFROST SYSTEM TYPE FRIGDE/FREEZER

POWER(W)

CURRENT(A)

NUMBER OF COMPRESSORS(PCS)

BOTTLE SHELF(PCS)

DOOR SHELF(PCS)

FREEZER DOOR SHELF(PCS)

PRODUCT WEIGHT(KG)

PRODUCT SIZE (H X W X D) :

FREE STANDING

DOUBLE DOOR

TOP FREEZER

295 L

NFMC

ELECTRONIC

T/SN

A

STANDARD

STANDARD

4

ACTIVE

1.315

480

5

960

16

42

AUTOMATIC

192

1.34

1

1

3

2

75

1860 X 600 X 595 MM

NBM0002675X

**BUILT - IN  
FREEZER & FRIDGE**

## BUILT - IN FRIDGE + FREEZER



### CM 2795+ CM 2791

CODE :FLNFBI6001+FFNFBI6002

#### BUILT-IN FULL FRIDGE+FREEZER

#### BUILT-IN FULL FREEZER

##### IN-DOOR FEATURES

- 6 FREEZER COMPARTMENTS
- 2 FLAPS
- NO FROST
- LED LIGHTING



NBM0006100X



#### BUILT-IN FULL FRIDGE

##### IN-DOOR FEATURES

- 1 DAIRY RACK
- 1 EGG HOLDER
- 2 TRANSPARENT SHELVES
- 1 BOTTLE SHELF
- 1 GLASS SHELF OVER CRISPER
- TURBO FAN AIR COOLING
- SAFETY GLASS SHELVES
- 2 CRISPERS
- NO FROST
- HUMIDITY CONTROLLER
- AIR DUCT





**2795**

CODE : FLNFBI6001

BUILT-IN FULL REFRIGERATOR

### FEATURES

- BUILT-IN DOUBLE DOOR
- SLIDING DOOR
- DOOR ON DOOR
- REVERSIBLE DOORS

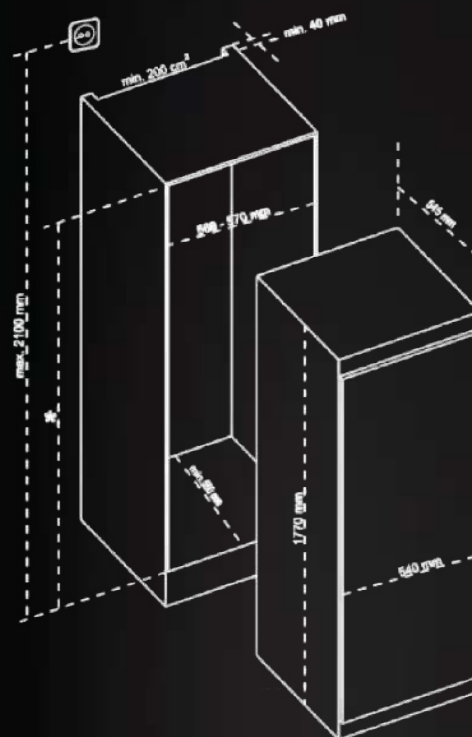
### IN-DOOR FEATURES

- 1 DAIRY RACK
- 1 EGG HOLDER
- 2 TRANSPARENT SHELVES
- 1 BOTTLE SHELF
- 1 GLASS SHELF OVER CRISPER
- TURBO FAN AIR COOLING
- SAFETY GLASS SHELVES
- 2 CRISPERS
- NO FROST
- HUMIDITY CONTROLLER
- AIR DUCT

NBM0002775X

## BUILT - IN FULL REFRIGERATOR

### INSTALLATION DIAGRAM:



### TECHNICAL DATA

● ENERGY CLASS	A+
● PRODUCT DIMENSION (W X H X D)	540 X 1,770 X 545 MM
● GROSS VOLUME	303 LITRES
● NET VOLUME	300 LITRES
● VOLTAGE	220 - 240 V
● FREQUENCY	50 HZ
● ENERGY CONSUMPTION	144 KWh/ YEAR
● ANNUAL ENERGY CONSUMPTION (KW/Y)	144
● ENERGY CONSUMPTION (KW/D)	0.397
● GAS TYPE	R600a
● DEFROST	No Frost
● ENERGY EFFICIENCY	A+/3 Star
● PACKING DIMENSIONS	584 X 1,834 X 600 MM
● CUT OUT :	570 X 1778 X 560 MM

### CONTROL AND FUNCTIONS

● CONTROL SYSTEM	MECHANICAL
● PRODUCT STYLE	SINGLE DOOR
● DOOR	WHITE
● BACK WALL	STANDARD



## BUILT-IN FULL FREEZER



**2791**

CODE : FNFBI6002

BUILT-IN FULL FREEZER

### FEATURES

- BUILT-IN
- SLIDING DOOR
- DOOR ON DOOR
- REVERSIBLE DOORS

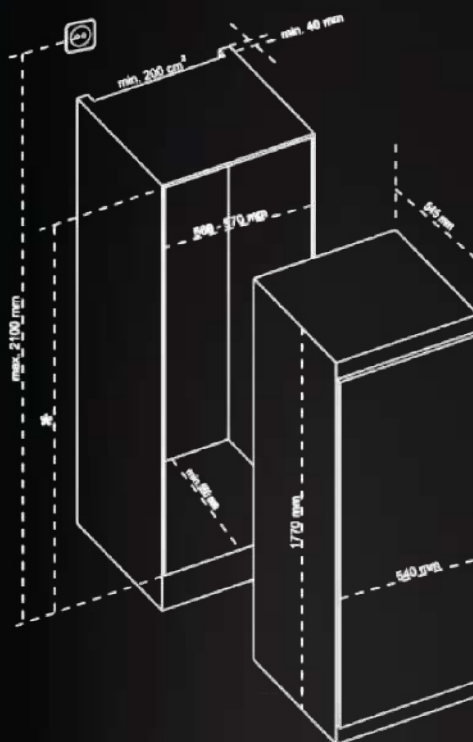
### IN-DOOR FEATURES

- 6 FREEZER COMPARTMENTS
- 2 FLAPS
- NO FROST
- LED LIGHTING

NBM0003475X



### INSTALLATION DIAGRAM:



### TECHNICAL DATA

● ENERGY CLASS	A+
● PRODUCT DIMENSION (W X D X H)	540 X 545 X 1,770 MM
● CUT OUT :	570 X 560 X 1778 MM
● GROSS VOLUME	221 LITRES
● NET VOLUME	197 LITRES
● VOLTAGE	220 - 240 V
● FREQUENCY	50 HZ
● ENERGY CONSUMPTION	297 KWh/YEAR
● ENERGY CONSUMPTION (KW/D)	0.813
● GAS TYPE	R600a
● DEFROST	No Frost
● ENERGY EFFICIENCY	A+/3 Star
● PACKING DIMENSIONS	584 X 1,807 X 600 MM

### CONTROL AND FUNCTIONS

● CONTROL SYSTEM	MECHANICAL
● PRODUCT STYLE	SINGLE DOOR
● DOOR	WHITE
● BACK WALL	STANDARD

## BUILT-IN COMBI FRIDGE AND FREEZER



**2770**

CODE :FCNFB17008

BUILT-IN COMBI FRIDGE AND FREEZER

### FEATURES

FULLY INTEGRATED

HEATER POWER IN NO FROST MODEL: 180 W

CONTROL SYSTEM: ELECTRONIC CONTROL

ENERGY EFFICIENCY CLASS: E

ENERGY EFFICIENCY INDEX: 99.5 (EEI) (%)

ANNUAL ENERGY CONSUMPTION: 250.39 (AE) (KWH/A)

STANDARD ANNUAL ENERGY CONSUMPTION: 251.6

DAILY ENERGY CONSUMPTION AT 16°C (E16): 0.422

DAILY ENERGY CONSUMPTION AT 32°C (E32): 0.95

TOTAL GROSS CAPACITY: 350 LITERS

TOTAL NET CAPACITY: 341 LITERS

FREEZER NET CAPACITY: 84 LITERS

REFRIGERATOR NET CAPACITY: 257 LITERS

FRESH FOOD COMPARTMENT NET CAPACITY: 34

NO-FROST

ADJUSTABLE SHELVES: 3

LED INTERIOR LIGHT

VEGETABLE CRISPER: 2

DOOR RACKS: 4

EGG TRAY

LARGE FREEZER DRAWER: 3

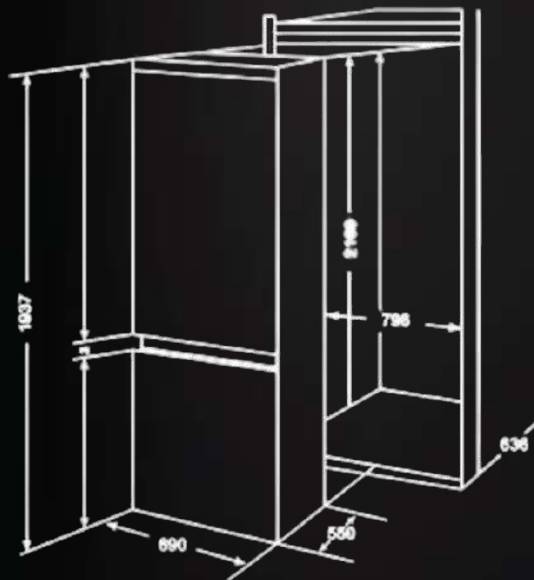
MATERIAL OF DRAWER: PLASTIC

ICE CUBE TRAY

EXTERNAL DIMENSIONS: W 690 H 1937 X D 550 MM



### INSTALLATION DIAGRAM:



NBM0005995X

## BUILT-IN COMBI FRIDGE AND FREEZER



**2761**

CODE : FCNFB16003

### BUILT-IN COMBI FRIDGE AND FREEZER

#### FEATURES

- BUILT-IN DOUBLE DOOR
- IN-DOOR COMPARTMENTS
- FRIDGE
- NO FROST
- FREEZER

#### BUILT-IN DOUBLE DOOR

- NICHE 1,780 MM
- SLIDING DOOR
- DOOR ON DOOR
- REVERSIBLE DOORS

#### FRIDGE

- TURBO FAN AIR COOLING
- AIR DUCT
- SAFETY GLASS SHELVES
- 1 GLASS SHELF OVER CRISPER
- 2 CRISPERS
- NO FROST
- HUMIDITY CONTROLLER

#### CONTROL AND FUNCTIONS

- CONTROL SYSTEM
- PRODUCT STYLE
- DOOR
- BACK WALL
- TURBO
- SPEC WITHOUT CHILLER
- PERFORMANCE RATING

#### IN-DOOR FEATURES

- 1 DAIRY RACK
- 1 EGG HOLDER
- 2 TRANSPARENT SHELVES
- 1 BOTTLE SHELF

#### FREEZER

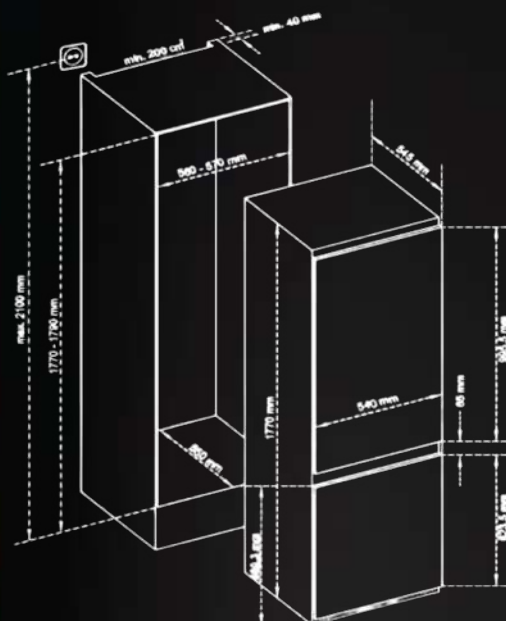
- SAFETY GLASS SHELVES
- 1 GLASS SHELF OVER CRISPER
- 1 CRISPER
- NO FROST
- HUMIDITY CONTROLLER

#### MECHANICAL

- DOUBLE DOOR
- STANDARD
- STANDARD
- YES
- YES
- 4

NBM0002800X

### INSTALLATION DIAGRAM:



### TECHNICAL DATA

● ENERGY CLASS	A+
● PRODUCT DIMENSION (W X H X D)	570 X 1778 X 560 MM
● CUT OUT (W X H X D)	540 X 1770 X 545 MM
● GROSS VOLUME	256 LITRES
● NET VOLUME	243 LITRES
● GROSS REFRIGERATOR VOLUME	181 LITRES
● GROSS FREEZER VOLUME	75 LITRES
● NET FREEZER VOLUME	63 LITRES
● NET REFRIGERATOR TOTAL VOLUME	180 LITRES
● ENERGY CONSUMPTION (KWH/24H)	0.786
● ENERGY CONSUMPTION (KWH/YEAR)	287
● PRODUCT WEIGHT	51 KG
● PACKAGE WEIGHT	55 KG
● CLIMATIC CLASS	T/N
● NOISE EMISSION	41 DBA
● VOLTAGE	220 - 240 V
● FREQUENCY	50 HZ
● GAS TYPE	R600a
● PACKING DIMENSIONS	584 X 1834 X 600 MM

### REFRIGERATOR AND FREEZER COMPARTMENTS

● FREEZING CAPACITY (KG/24H)	3
● TEMPERATURE RISE TIME (-18°C TO -9°C/MINS)	720
● TEMPERATURE RISE TIME (-18°C TO -9°C/HOUR)	12
● DEFROST SYSTEM TYPE FRIDGE/FREEZER	<b>NO FROST</b>
● NO. OF DOORS	2
● ICE TRAY	YES
● FREEZER SHIELD	NO
● BOTTLE SHELF	1
● DOOR SHELF	3

## BUILT-IN COMBI FRIDGE AND FREEZER



**2764**

CODE : FCLFBI6004

### BUILT-IN COMBI FRIDGE AND FREEZER

#### FEATURES

- BUILT-IN DOUBLE DOOR
- IN-DOOR COMPARTMENTS
- FRIDGE
- FREEZER
- LESS FROST
- SLIDING TRAY
- FRIDGE LED BULB LIGHTING

#### FRIDGE

- TURBO FAN AIR COOLING
- AIR DUCT
- ADJUSTABLE GLASS SHELVES
- 1 GLASS SHELF OVER CRISPER
- 2 CRISPERS
- LESS FROST
- HUMIDITY CONTROLLER

#### CONTROL AND FUNCTIONS

- CONTROL SYSTEM
- PRODUCT STYLE
- DOOR
- BACK WALL
- TURBO
- SPEC WITHOUT CHILLER
- STAR RATING PERFORMANCE

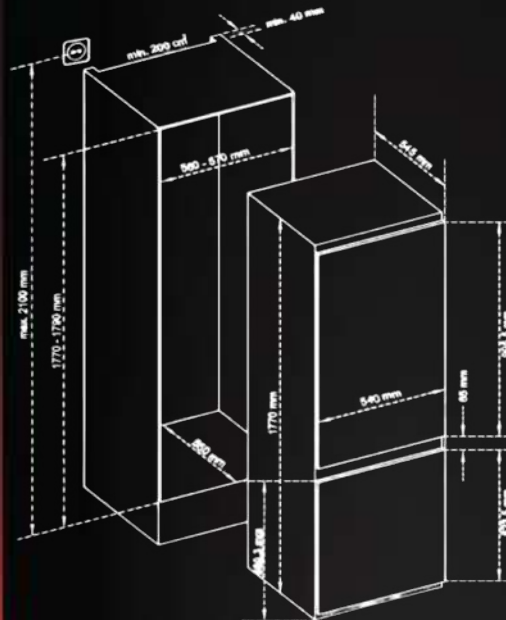
#### FREEZER

- LESS FROST
- EGG HOLDERS
- 1 CRISPER
- NO FROST
- HUMIDITY CONTROLLER

- MECHANICAL
- DOUBLE DOOR
- STANDARD
- STANDARD
- YES
- YES
- 4

NBM0002200X

#### INSTALLATION DIAGRAM:



#### TECHNICAL DATA

● ENERGY CLASS	A+
● PERFORMANCE RATING	4
● PRODUCT DIMENSION (W X H X D)	540 X 1,770 X 545 MM
● CUT OUT (W X H X D)	570 X 1778 X 560 MM
● GROSS VOLUME	256 LITRES
● NET VOLUME	244 LITRES
● NET FREEZER VOLUME	96 LITRES
● NET REFRIGERATOR TOTAL VOLUME	148 LITRES
● ENERGY CONSUMPTION (KWH/24H)	0.786
● ENERGY CONSUMPTION (KWH/YEAR)	287
● PRODUCT WEIGHT	51 KG
● PACKAGE WEIGHT	55 KG
● CLIMATIC CLASS	ST/N
● NOISE EMISSION	41 DBA
● VOLTAGE	220 - 240 V
● FREQUENCY	50 HZ
● PACKING DIMENSIONS	584 X 1834 X 600 MM
● GAS TYPE	R600a

#### BUILT-IN DOUBLE DOOR

- NICHE 1,780 MM
- SLIDING DOOR
- DOOR ON DOOR
- REVERSIBLE DOORS

#### IN-DOOR FEATURES

- EGG HOLDER
- TRANSPARENT SHELVES
- 1 BOTTLE SHELF

## BUILT-IN COMBI FRIDGE AND FREEZER



**2759**

CODE : FCNFB16011

**BUILT-IN REFRIGERATOR 60CM**

### FEATURES:

BUILT-IN COMBI

ADJUSTABLE THERMOSTAT

AUTOMATIC DEFROSTING (REFRIGERATOR)

MANUAL DEFROSTING (FREEZER)

LED INTERIOR LIGHT

2 REVERSIBLE DOORS

ENERGY EFFICIENCY CLASS: A+

TOTAL CAPACITY: 310 LITERS (GROSS)

NET CAPACITY REFRIGERATOR: 232 LITERS

NET CAPACITY FREEZER: 78 LITERS

FREEZING CAPACITY (KG/24H): 3.5

ENERGY EFFICIENCY CLASS: A 273KWH/ PER YEAR

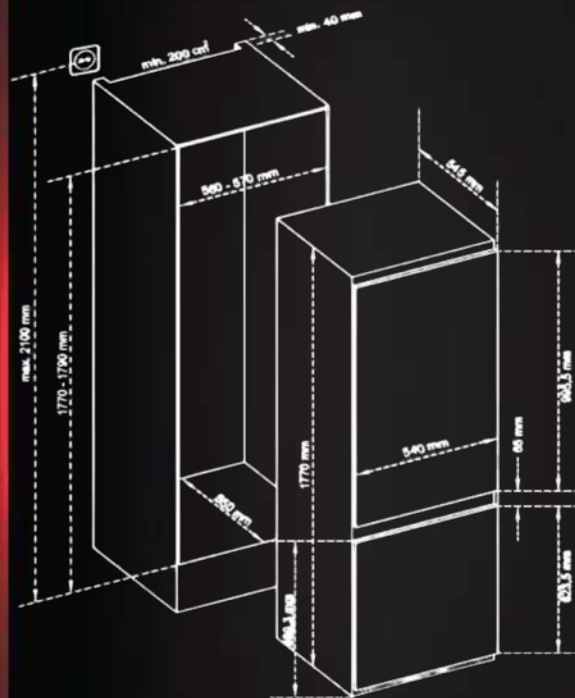
ENERGY CONSUMPTION FOR 24HR: 0.75KWH NOISE LEVEL: 38 DB(A)

POWER : 130 WATT

DIMENSIONS H 1776 X W 540 X D 540 MM

**NBM0001850X**

### INSTALLATION DIAGRAM:



## BUILT-IN COMBI FRIDGE AND FREEZER



**2400**

CODE : FCLFBI6005

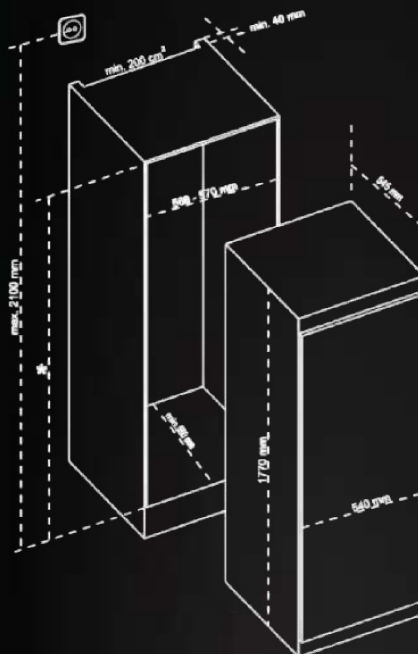
BUILT-IN COMBI FRIDGE AND FREEZER

### FEATURES:

- BUILT-IN COMBI FRIDGE
- STATIC REFRIGERATION SYSTEM
- A+ ENERGY CLASS EFFICIENCY
- 4-STAR FREEZER COMPARTMENT
- 175L FRIDGE CAPACITY
- 17L FREEZER CAPACITY
- ICE BOX
- DAIRY RACK
- EGG HOLDER
- BOTTLE SHELF
- REMOVABLE SHELVES
- SAFETY GLASS SHELVES
- GLASS SHELF OVER CRISPER
- CRISPER
- DIMENSIONS:

NBM0001795X

### INSTALLATION DIAGRAM:



### TECHNICAL DATA

● ENERGY CLASS	A+
● PERFORMANCE RATING	
● PRODUCT DIMENSION (W X H X D)	540 X 1225 X 545 MM
● CUT OUT (W X H X D)	570 X 1233 X 560 MM
● PACKING DIMENSIONS	584 X 1289 X 600 MM
● ENERGY CONSUMPTION (KWH/24H)	0.769
● ENERGY CONSUMPTION (KWH/YEAR)	281
● PRODUCT WEIGHT	51 KG
● PACKAGE WEIGHT	55 KG
● CLIMATIC CLASS	N-ST
● NOISE EMISSION	42 DBA
● VOLTAGE	220 - 240 V
● FREQUENCY	50 HZ
● NOISE LEVEL (DB)	42
● GAS TYPE	R600a
● CLIMATE CLASS	N-ST
● ENERGY CONSUMPTION (KWH/YEAR)	225



# UNDER COUNTER



## BUILT-IN UNDER-COUNTER FRIDGE



**1600**

CODE : FCLFBI6006

BUILT-IN UNDER-COUNTER FRIDGE / FREEZER

### TECHNICAL DATA

● ENERGY CONSUMPTION (KWH/24H)	0.616
● ENERGY CLASS	A+
● PRODUCT DIMENSION (W X H X D)	595 X 818 X 548 MM
● GROSS VOLUME	120 LITRES
● NET VOLUME	115 LITRES
● NET FRIDGE	98-102 LITRES
● FREEZER VOLUME	17-18 LITRES
● VOLTAGE	220-240 V
● FREQUENCY	50 HZ
● NOISE LEVEL (DB)	42
● GAS TYPE	R600a
● CLIMATE CLASS	N-ST
● ENERGY CONSUMPTION (KWH/YEAR)	225
● PACKING DIMENSIONS	659 X 883 X 586 MM
● CUT OUT :	600 X 820 X 550 MM

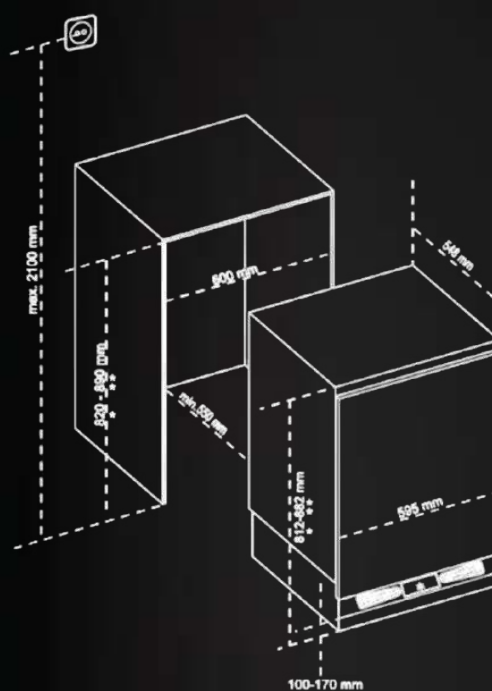
### STANDARD CONFIGURATION

- |                              |                  |
|------------------------------|------------------|
| ● 1 REMOVABLE SHELF          | ● 1 EGG HOLDER   |
| ● 1 GLASS SHELF OVER CRISPER | ● 1 BOTTLE SHELF |
| ● SAFETY GLASS SHELVES       | ● 1 CRISPER      |
| ● 1 TRANSPARENT SHELF        |                  |

NBM0001690X



### INSTALLATION DIAGRAM:





## BUILT-IN UNDER-COUNTER FREEZER



### BGSN1650

CODE : FFLFBI6007

BUILT-IN UNDER-COUNTER FREEZER

#### TECHNICAL DATA

● ENERGY CLASS	A+
● PRODUCT DIMENSION (W X H X D)	595 X 818 X 548 MM
● GROSS VOLUME	107 LITRES
● NET VOLUME	115 LITRES
● NET FRIDGE	97-107 LITRES
● FREEZER VOLUME	17-18 LITRES
● NOISE LEVEL (DB)	43
● GAS TYPE	R600a
● CLIMATE CLASS	N-ST
● ENERGY CONSUMPTION (KWH/YEAR)	232
● PACKING DIMENSIONS	659 X 883 X 586 MM
● CUT OUT :	600 X 820 X 550 MM

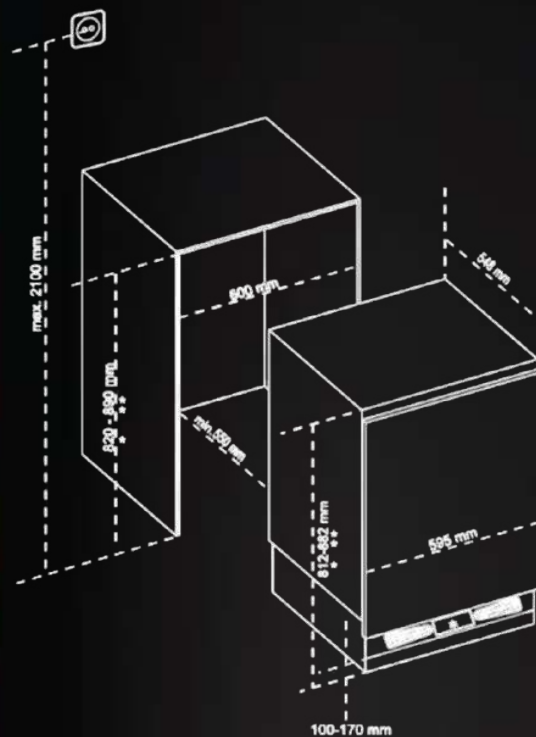
#### STANDARD CONFIGURATION

- 1 REMOVABLE SHELF
- 1 GLASS SHELF OVER CRISPER
- SAFETY GLASS SHELVES
- 1 TRANSPARENT SHELF
- 1 EGG HOLDER
- 1 BOTTLE SHELF
- 1 CRISPER

NBM0001545X



#### INSTALLATION DIAGRAM:



## BUILT-IN UNDER-COUNTER FRIDGE



### 1700

CODE : FLNFBI6011

### BUILT-IN UNDER-COUNTER FRIDGE

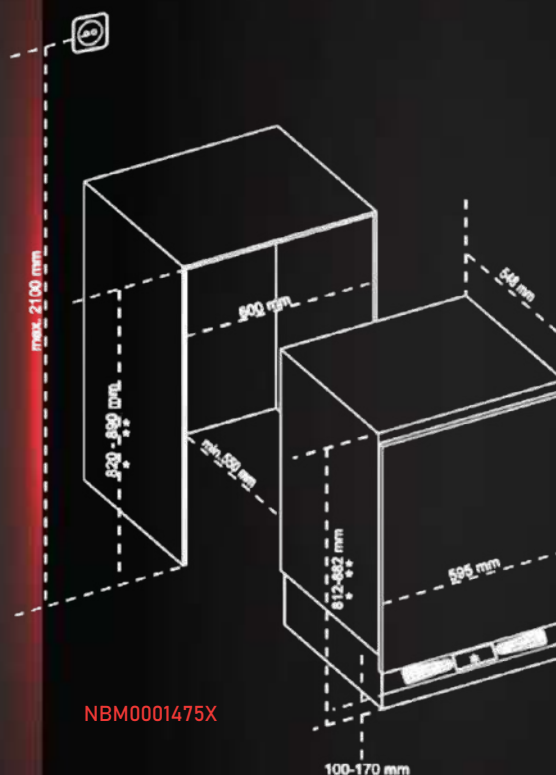
#### TECHNICAL DATA

● ENERGY CLASS	A+
● PRODUCT DIMENSION (W X H X D)	595 X 818 X 548 MM
● GROSS VOLUME	136 LITRES
● NET VOLUME	134 LITRES
● NET FRIDGE	133 LITRES
● FREEZER VOLUME	39
● NOISE LEVEL (DB)	-
● GAS TYPE	R600a
● CLIMATE CLASS	SN
● ENERGY CONSUMPTION (KWH/YEAR)	115
● PACKING DIMENSIONS	659 X 883 X 586 MM
● CUT OUT :	600 X 820 X 550 MM

#### STANDARD CONFIGURATION

- REMOVABLE SHELVES
- GLASS SHELF ON CRISPER
- CRISPER
- TRANSPARENT SHELF
- EGG HOLDER
- BOTTLE SHELF
- DOOR ON DOOR
- REVERSIBLE DOOR

#### INSTALLATION DIAGRAM:



NBM0001475X



# WINE COOLER



## BUILT - IN BEVERAGE COOLER SERIES

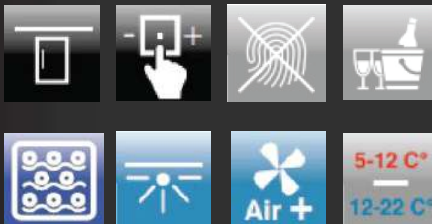


**YC-259**

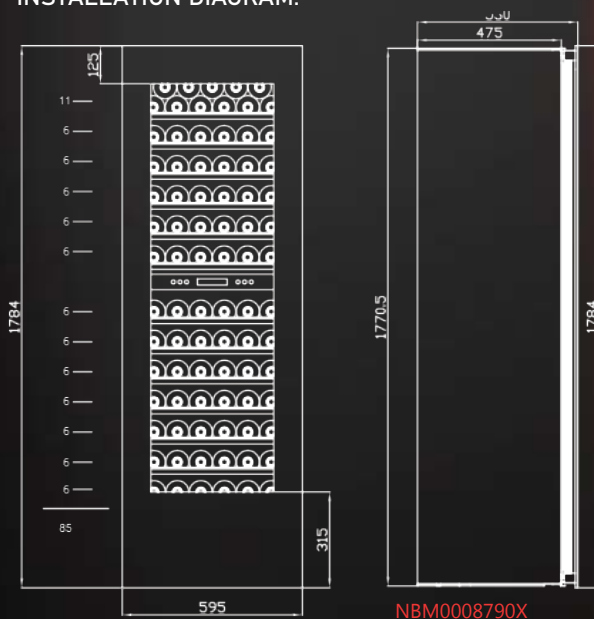
CODE : FWCTU60003

BUILT-IN BEVERAGE REFRIGERATION / COOLER

FUNCTIONS:



### INSTALLATION DIAGRAM:



### STANDARD SPECIFICATIONS:

- TEMPERATURE ZONE: 60CM DUAL
- VOLUME (L): 248 L
- BOTTLE CAPACITY: 83 BOTTLES
- COMPRESSOR: R600A
- SHELF: 13 BEECH WOODEN SHELVES
- DOOR: FULL GLASS
- LOCK: NO
- KICK PLATE: SS
- RATED POWER: 220V ~ 50 HZ
- AMBIENT TEMPERATURE: 10 - 38 C
- TEMPERATURE RANGE: 5 - 10 C, 10- 18 C MAY VARY BY +/-3 C
- DIMENSIONS: 595 (W) X 530 (D) X 1784 (H) MM
- WEIGHT: KG
- TOUCH CONTROL PANEL : 5
- LEVELING LEGS: 3

## BUILT - IN BEVERAGE COOLER SERIES

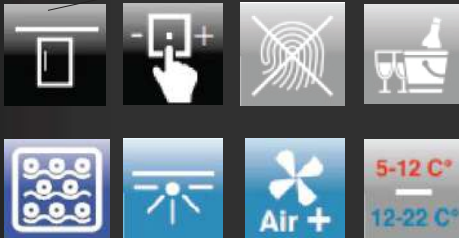


### YC-150B

CODE : FWCUC60001

BEVERAGE REFRIGERATION / COOLER

#### FUNCTIONS:

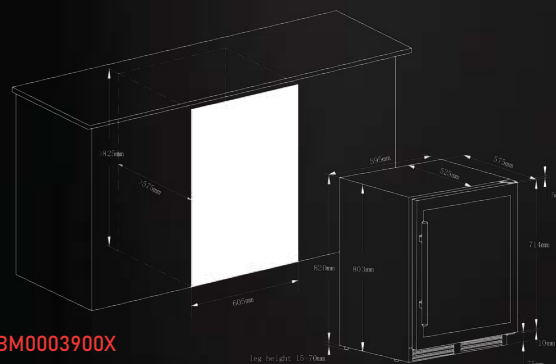


#### STANDARD SPECIFICATIONS:

- TEMPERATURE ZONE: DUAL
- VOLUME (L): 150 L
- BOTTLE CAPACITY: 51 BOTTLES
- COMPRESSOR: R600A
- SHELF: 2 + 4 BEECH WOOD SHELVES, SLIDING RAIL
- DOOR: FULL GLASS
- LOCK: NO
- KICK PLATE: SS
- RATED POWER: 100 W
- AMBIENT TEMPERATURE: 10 - 38 C
- TEMPERATURE RANGE: 5 - 13 C, 13 - 18 C
- DIMENSIONS: 595 (W) X 575 (D) X 820 (H) MM
- WEIGHT: 45 KG



#### INSTALLATION DIAGRAM:



NBM0003900X

## BUILT- IN BEVERAGE COOLER SERIES

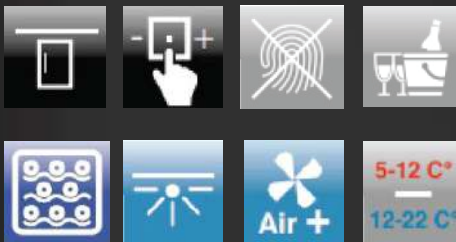


### YC-55

CODE : FWCWC60002

BEVERAGE REFRIGERATION / COOLER

FUNCTIONS:

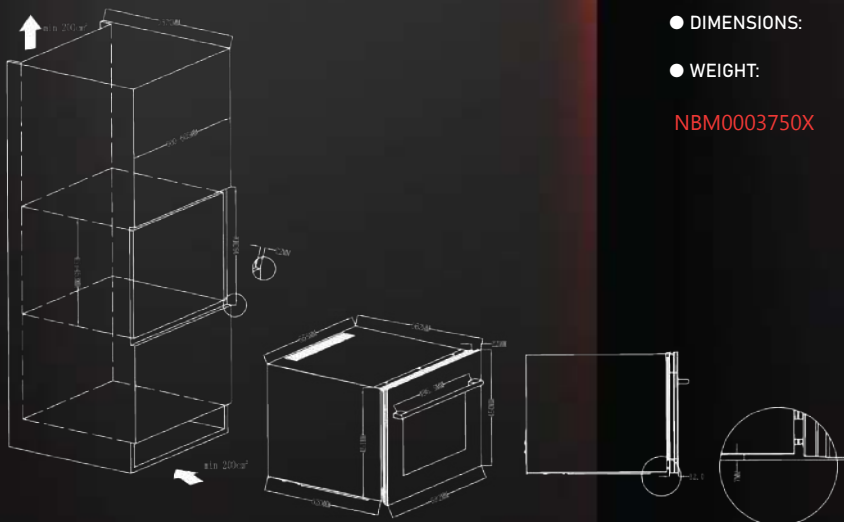


### STANDARD SPECIFICATIONS:

- TEMPERATURE ZONE: SINGLE
- VOLUME (L): 53 L
- BOTTLE CAPACITY: 24 BOTTLES
- COMPRESSOR: R600A
- SHELF: 3 BEECH WOOD SHELVES
- DOOR: FULL GLASS
- LOCK: NO
- RATED POWER: 75 W
- AMBIENT TEMPERATURE: 10 - 38 C
- TEMPERATURE RANGE: 5 - 19 C
- DIMENSIONS: 588 (W) X 563 (D) X 450 (H) MM
- WEIGHT: 28.5 KG

NBM0003750X

### INSTALLATION DIAGRAM:



The logo consists of the letters 'CM' in white, set against a red oval background. This logo is positioned on a transparent panel at the top left of the washing machine's control area.

CM

The image shows the front-loading door of a washing machine. The door is circular and framed in a metallic, blue-tinted material. Through the glass door, a vibrant underwater scene is visible. In the upper half, a large wooden sailing ship with multiple masts and rigging is seen on the surface of the water under a bright, cloudy sky. Below the surface, the water is a deep blue. Several dolphins are swimming gracefully in the middle ground. In the lower foreground, there is a diverse coral reef with various colorful corals and many small, bright orange and white striped fish swimming around. The overall lighting is bright and clear, giving the scene a clean, fresh appearance.

# WASHING MACHINE



# DISH WASHER







FREESTANDING DISHWASHER



A1D



A2C

BUILT IN DISHWASHER 60 SERISE



CMD41RHE



CMD41RHE12



ZDT-D22

BUILT IN DISHWASHER LAUNDRY 60 SERIES



1249T0



1249CT0

FREESTANDING WASHER



CM WASHER DRYER 8KG



CM WASHER 7KG



CM WASHER 6KG

## FREESTANDING DISHWASHER



**A1D**

CODE : DWFS601303

## FREESTANDING DISHWASHER

### FEATURES:

TURBIDITY SENSOR FOR SMART WASH	ECO WASH HALF LOAD OPTION
ELECTRICAL DIVERTER SYSTEM	TABLET OPTION
OVERFLOW AND LEAKAGE PROTECTION	SALT INDICATOR
HEATER PROTECTION	END OF CYCLE INDICATOR
CIRCULAR PUMP	BUZZER
ENERGY EFFICIENCY CLASS A++	METAL FILTER
13 PLACE SETTINGS	DELAY TIMER
5 PROGRAMS	CUTLERY RACKS
BUTTON CONTROL	

### CONTROL

CONTROL TYPE	BUTTON CONTROL
DISPLAY TYPE	LED
DISPLAY COLOR	RED
ECO STANDARD PROGRAM	YES
HIDDEN HEATING ELEMENT	YES

### SAFETY DRAINING

OVERFLOW PROTECTION	YES
LEAKAGE PROTECTION	YES
WATER INLET HOSE LENGTH	147 CM
WATER OUTLET HOSE LENGTH	180 CM

### ENERGY LEVEL

ENERGY EFFICIENCY CLASS	A++
CLEANING EFFICIENCY CLASS	A+++
DRYING EFFICIENCY CLASS	A

## GENERAL CHARACTERISTICS

NO. OF PLACE SETTINGS	13
NO. OF WASHING PROGRAMS	5
POWER RATING	1,900 / 1,800 W
HEATING ELEMENT	1,900 / 1,800 W
DELAY TIMER OPTION	3 / 6 / 9 HRS
ANNUAL ENERGY CONSUMPTION	267 KWH
ANNUAL WATER CONSUMPTION	2,520 LITRES
NOISE LEVEL	50 Hz: 57/54/52/49/47/45/44 60 Hz: 57/54/52/49/47 DBA

## ELECTRICAL CONNECTION

VOLTAGE	220 - 240
FREQUENCY	50 60
FUSE RATING	10
POWER CORD LENGTH	165
PLUG TYPE	ITALY/UK

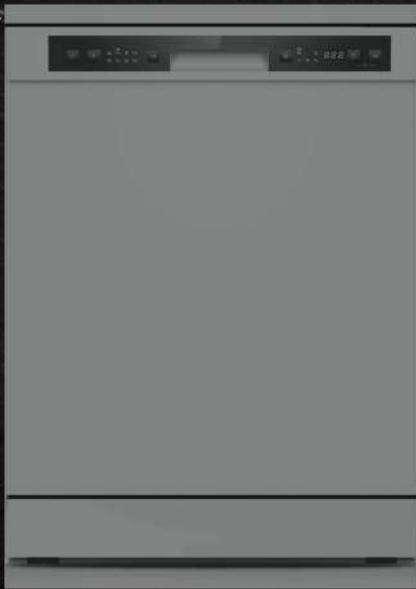
## DIMENSION AND WEIGHT

PRODUCT DIMENSION (W X H X D)	598 x 850 x 598 MM
PACKAGE DIMENSION (W X H X D)	644 x 881x 661 MM
PRODUCT WEIGHT	69/49 KG

**NBM0001995X**



## FREESTANDING DISHWASHER



### A2C

CODE :DWFS601205

## FREESTANDING DISHWASHER

### FEATURES:

TURBIDITY SENSOR FOR SMART WASH  
ELECTRICAL DIVERTER SYSTEM  
OVERFLOW AND LEAKAGE PROTECTION  
HEATER PROTECTION  
CIRCULAR PUMP

ECO WASH HALF LOAD OPTION  
TABLET OPTION  
SALT INDICATOR  
END OF CYCLE INDICATOR  
BUZZER

ENERGY EFFICIENCY CLASS A++  
12 PLACE SETTINGS  
5 PROGRAMS  
BUTTON CONTROL

METAL FILTER  
DELAY TIMER  
CUTLERY RACKS

### CONTROL

CONTROL TYPE  
DISPLAY TYPE  
DISPLAY COLOR  
ECO STANDARD PROGRAM  
HIDDEN HEATING ELEMENT

BUTTON CONTROL  
LED  
RED  
YES  
YES

### SAFETY DRAINING

OVERFLOW PROTECTION  
LEAKAGE PROTECTION  
WATER INLET HOSE LENGTH  
WATER OUTLET HOSE LENGTH

YES  
YES  
147 CM  
180 CM

### ENERGY LEVEL

ENERGY EFFICIENCY CLASS  
CLEANING EFFICIENCY CLASS  
DRYING EFFICIENCY CLASS

A++  
A+++  
A

### GENERAL CHARACTERISTICS

NO. OF PLACE SETTINGS 12  
NO. OF WASHING PROGRAMS 5  
POWER RATING 1,900 / 1,800 W  
HEATING ELEMENT 1,900 / 1,800 W  
DELAY TIMER OPTION 3 / 6 / 9 HRS  
ANNUAL ENERGY CONSUMPTION 267 KWH  
ANNUAL WATER CONSUMPTION 2,520 LITRES  
NOISE LEVEL 50 Hz: 57/54/52/49/47/45/44  
60 Hz: 57/54/52/49/47 DBA

### ELECTRICAL CONNECTION

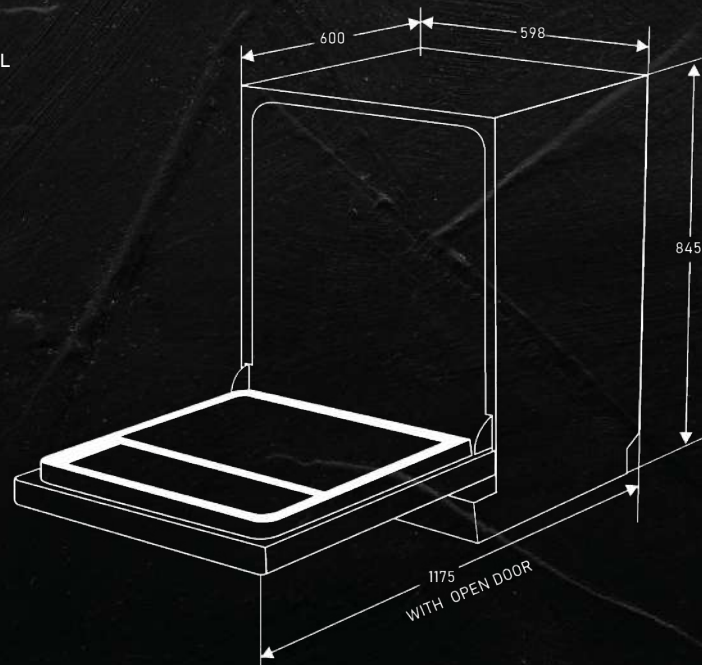
VOLTAGE 220 - 240  
FREQUENCY 50 60  
FUSE RATING 10  
POWER CORD LENGTH 165  
PLUG TYPE ITALY/UK

### DIMENSION AND WEIGHT

PRODUCT DIMENSION (W X H X D) 598 x 850 x 598 MM  
PACKAGE DIMENSION (W X H X D) 644 x 881x 661 MM  
PRODUCT WEIGHT 69/49 KG

**NBM0001400X**

### INSTALLATION DIAGRAM:



## BUILT IN DISHWASHER 60 SERISE



CODE :DWBI601501  
**CMD41RHE**

### BUILT-IN DISHWASHER

#### FEATURES:

TURBIDITY SENSOR FOR SMART WASH	ECO WASH HALF LOAD OPTION
ELECTRICAL DIVERTER SYSTEM	TABLET OPTION
OVERFLOW AND LEAKAGE PROTECTION	SALT INDICATOR
HEATER PROTECTION	END OF CYCLE INDICATOR
CIRCULAR PUMP	BUZZER
FULLY INTEGRATED DISHWASHER	STAINLESS STEEL TUB
ENERGY EFFICIENCY CLASS A++	METAL FILTER
15 PLACE SETTINGS	DELAY TIMER
9+ PROGRAMS	CUTLERY RACKS
BUTTON CONTROL	

#### CONTROL

CONTROL TYPE	BUTTON CONTROL
DISPLAY TYPE	LED
DISPLAY COLOR	RED
ECO STANDARD PROGRAM	YES
HIDDEN HEATING ELEMENT	YES

#### SAFETY DRAINING

OVERFLOW PROTECTION	YES
LEAKAGE PROTECTION	YES
WATER INLET HOSE LENGTH	147 CM
WATER OUTLET HOSE LENGTH	200 CM

#### ENERGY LEVEL

ENERGY EFFICIENCY CLASS	A++
CLEANING EFFICIENCY CLASS	A
DRYING EFFICIENCY CLASS	A

#### GENERAL CHARACTERISTICS

NO. OF PLACE SETTINGS	15
NO. OF WASHING PROGRAMS	9
POWER RATING	1,900 W
HEATING ELEMENT	1,800 W
DELAY TIMER OPTION	3 / 6 / 9 HRS
ANNUAL ENERGY CONSUMPTION	267 KWH
ANNUAL WATER CONSUMPTION	2,520 LITRES
NOISE LEVEL	49 DBA

#### ELECTRICAL CONNECTION

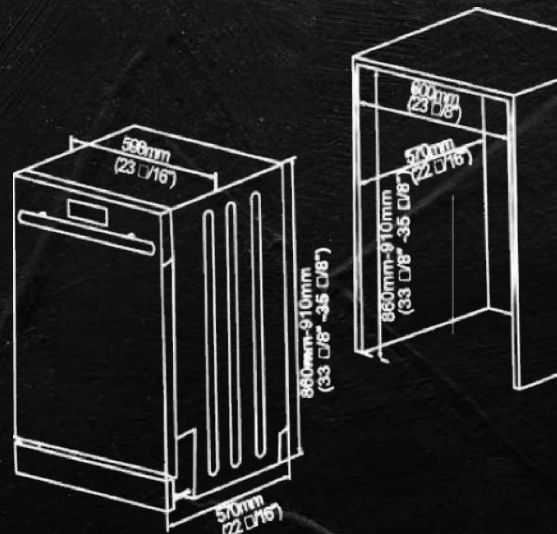
VOLTAGE	220 - 240
FREQUENCY	50
FUSE RATING	10
POWER CORD LENGTH	165
PLUG TYPE	UK

#### DIMENSION AND WEIGHT

PRODUCT DIMENSION (W X D X H)	598 X 550 X 820 MM
PACKAGE DIMENSION (W X D X H)	644 X 661 X 851 MM
PRODUCT WEIGHT	38 KG
PACKAGE WEIGHT	40 KG

**NBM0002550X**

#### INSTALLATION DIAGRAM:



## BUILT IN DISHWASHER 60 SERISE



CODE : DWBI601202

**CMD41RHE12**

**BUILT-IN DISHWASHER**

### FEATURES:

TURBIDITY SENSOR FOR SMART WASH	ECO WASH HALF LOAD OPTION
ELECTRICAL DIVERTER SYSTEM	TABLET OPTION
OVERFLOW AND LEAKAGE PROTECTION	SALT INDICATOR
HEATER PROTECTION	END OF CYCLE INDICATOR
CIRCULAR PUMP	BUZZER
FULLY INTEGRATED DISHWASHER	STAINLESS STEEL TUB
ENERGY EFFICIENCY CLASS A++	METAL FILTER
12 PLACE SETTINGS	DELAY TIMER
9+ PROGRAMS	CUTLERY BASKET
BUTTON CONTROL	

### CONTROL

CONTROL TYPE	BUTTON CONTROL
DISPLAY TYPE	LED
DISPLAY COLOR	RED
ECO STANDARD PROGRAM	YES
HIDDEN HEATING ELEMENT	YES

### SAFETY DRAINING

OVERFLOW PROTECTION	YES
LEAKAGE PROTECTION	YES
WATER INLET HOSE LENGTH	147 CM
WATER OUTLET HOSE LENGTH	200 CM

### ENERGY LEVEL

ENERGY EFFICIENCY CLASS	A++
CLEANING EFFICIENCY CLASS	A
DRYING EFFICIENCY CLASS	A

### GENERAL CHARACTERISTICS

NO. OF PLACE SETTINGS	12
NO. OF WASHING PROGRAMS	9
POWER RATING	1,900 W
HEATING ELEMENT	1,800 W
DELAY TIMER OPTION	3 / 6 / 9 HRS
ANNUAL ENERGY CONSUMPTION	267 KWH
ANNUAL WATER CONSUMPTION	2,520 LITRES
NOISE LEVEL	49 DBA

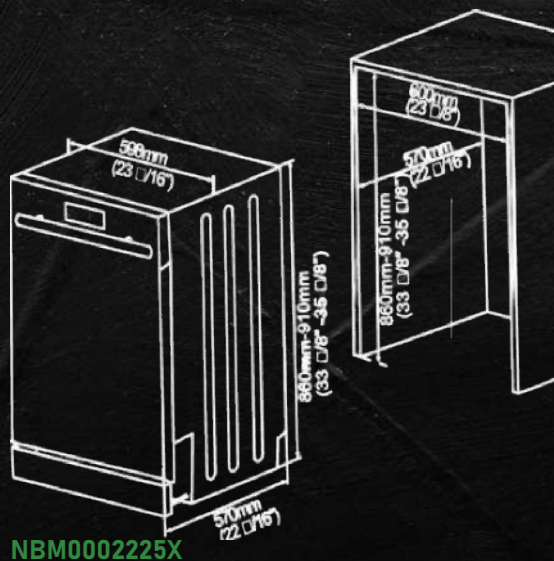
### ELECTRICAL CONNECTION

VOLTAGE	220 - 240
FREQUENCY	50
FUSE RATING	10
POWER CORD LENGTH	165
PLUG TYPE	UK

### DIMENSION AND WEIGHT

PRODUCT DIMENSION (W X D X H)	598 X 570 X 860-910 MM
PACKAGE DIMENSION (W X D X H)	644 X 661 X 851 MM
PRODUCT WEIGHT	38 KG
PACKAGE WEIGHT	40 KG

### INSTALLATION DIAGRAM:



## BUILT IN DISHWASHER 60 SERISE



CODE :DWBI601203

### ZDT-D22

#### BUILT-IN DISHWASHER

#### FEATURES:

TURBIDITY SENSOR FOR SMART WASH	ECO WASH HALF LOAD OPTION
ELECTRICAL DIVERTER SYSTEM	TABLET OPTION
OVERFLOW AND LEAKAGE PROTECTION	SALT INDICATOR
HEATER PROTECTION	END OF CYCLE INDICATOR
CIRCULAR PUMP	BUZZER
FULLY INTEGRATED DISHWASHER	STAINLESS STEEL TUB
ENERGY EFFICIENCY CLASS A++	METAL FILTER
12 PLACE SETTINGS	DELAY TIMER
7+ PROGRAMS	CUTLERY RACKS
BUTTON CONTROL	

#### CONTROL

CONTROL TYPE	BUTTON CONTROL
DISPLAY TYPE	LED
DISPLAY COLOR	RED
ECO STANDARD PROGRAM	YES
HIDDEN HEATING ELEMENT	YES

#### SAFETY DRAINING

OVERFLOW PROTECTION	YES
LEAKAGE PROTECTION	YES
WATER INLET HOSE LENGTH	147 CM
WATER OUTLET HOSE LENGTH	200 CM

#### ENERGY LEVEL

ENERGY EFFICIENCY CLASS	A++
CLEANING EFFICIENCY CLASS	A
DRYING EFFICIENCY CLASS	A

#### GENERAL CHARACTERISTICS

NO. OF PLACE SETTINGS	12
NO. OF WASHING PROGRAMS	7
POWER RATING	1,900 W
HEATING ELEMENT	1,800 W
DELAY TIMER OPTION	3 / 6 / 9 HRS
ANNUAL ENERGY CONSUMPTION	267 KWH
ANNUAL WATER CONSUMPTION	2,520 LITRES
NOISE LEVEL	49 DBA

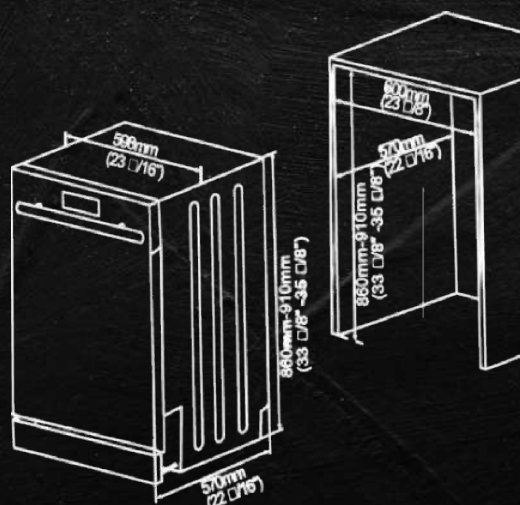
#### ELECTRICAL CONNECTION

VOLTAGE	220 - 240
FREQUENCY	50
FUSE RATING	10
POWER CORD LENGTH	165
PLUG TYPE	UK

#### DIMENSION AND WEIGHT

PRODUCT DIMENSION (W X D X H)	598 X 550 X 820 MM
PACKAGE DIMENSION (W X D X H)	644 X 661 X 851 MM
PRODUCT WEIGHT	38 KG
PACKAGE WEIGHT	40 KG

#### INSTALLATION DIAGRAM:



NBM0001850X

# WACHING MACHINE

## BUILT IN WASHER



CODE: WDB6007001

1249TO

## BUILT- IN WASHER & DRYER

### FUNCTIONS:



### FUNCTIONS:

- INTEGRATED WASHER-DRYER
- 8KG WASHING CAPACITY
- 6KG DRYER CAPACITY
- 16 PROGRAMMES
- 1400 RPM MAX SPIN SPEED
- LED DISPLAY TYPE
- RED DISPLAY COLOR
- 1-24H DELAY TIMER
- BUTTON FUNCTION FOR START/PAUSE
- CLASS A ENERGY EFFICIENCY

### ELECTRICAL CONNECTION:

VOLTAGE	220-240
FREQUENCY	50
FUSE RATING	10
PLUG TYPE	EU

### PROGRAMS AND PERFORMANCE:

NO. OF PROGRAMS	16
RATED POWER	1900 W
POWER CONSUMPTION LEFT-ON MODE	1.0 W
POWER CONSUMPTION OFF MODE	0.5 W
STANDARD WATER PRESSURE	0.05-1 MPA
POWER CORD LENGTH	1.5 M
WATER INLET HOSE LENGTH	1.0 M
WATER OUTLET HOSE LENGTH	1.6 M
DOOR LOCK	PTC LOCK

### DIMENSIONS & WEIGHT:

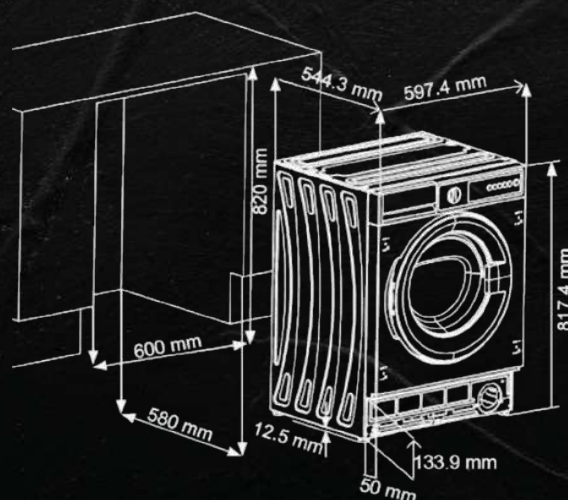
PRODUCT DIMENSION (W X D X H)	595 X 540 X 825 MM
PACKAGED DIMENSION (W X D X H)	680 X 605 X 875 MM
PRODUCT WEIGHT	68 KG
PACKAGED WEIGHT	72 KG

### ENERGY RATING:

ENERGY EFFICIENCY CLASS	A
WASHING PERFORMANCE CLASS	A
SPIN-DRYING EFFICIENCY CLASS	A
WASH RATIO	1.03
MOISTURE RATIO	53%
FINAL MOISTURE CONTENT	0%
WATER CONSUMPTION FULL LOAD	64 L
WATER CONSUMPTION DRY	60 L
WASHING ACOUSTICAL NOISE EMISSION	54 DB
SPINNING ACOUSTICAL NOISE EMISSION	78 DB
DRYING ACOUSTICAL NOISE EMISSION	62 DB

**NBM0003600X**

### INSTALLATION DIAGRAM:





## BUILT IN WASHER LAUNDRY 60 SERIES



CODE: WBI6007002

**1249CT0**

### BUILT- IN WASHER

#### FEATURES:

- BUILT-IN WASHER
- 7KG WASHING CAPACITY
- LED DISPLAY TYPE
- PROGRAM KNOB SELECTION
- ECO-LOGIC SYSTEM
- FOAM PROTECTION
- UNBALANCE CONTROL
- OVERFLOW PROTECTION
- ELECTRONIC CONTROL SYSTEM
- FAILURE DETECTION
- CHILD LOCK
- WASH CYCLE INDICATOR

#### DIMENSIONS & WEIGHT:

PRODUCT DIMENSION 817.4 X 597.4 X 544.3 MM  
 PACKAGED DIMENSION (W X D X H) 862 X 655 X 601 MM

#### CONTROL:

CONTROL TYPE KNOB, BUTTON  
 DISPLAY TYPE LED

#### PROGRAMS:

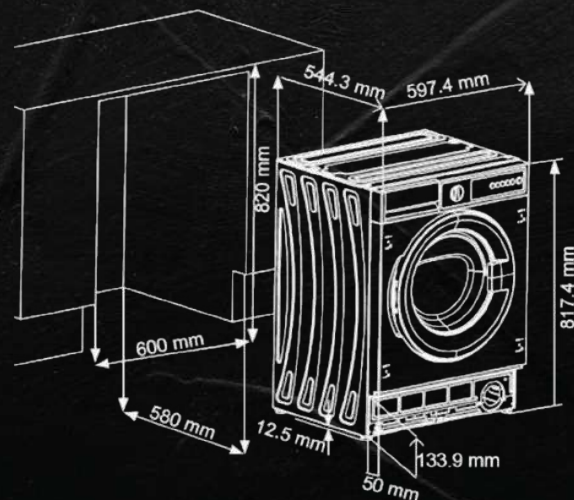
- ECO 40-60
- COTTON
- DOT TON PREWASH
- COTTON 20 C
- COLORS
- SYNTHETICS
- WOOL
- MIX
- ALLERGY SAFE
- SPIN/DRAIN
- HANDWASH/DELICATE
- RAPID 15 MINS.
- FAST 60, 60 C
- JEANS
- RINSE

#### PERFORMANCE:

- NO. OF PROGRAMS 15
- POWERATING 1000W
- ANNUAL ENERGY CONSUMPTION 172 KWH
- ANNUAL WATER CONSUMPTION 10337
- MAX SPIN SPEED 1400 RPM
- DRUM VOLUME 49L
- CLASS A++ ENERGY EFFICIENCY
- CLASS A WASHING EFFICIENCY
- CLASS B SPINNING EFFICIENCY
- TEMPERATURE SETTING
- SPIN SPEED SETTING
- DELAY TIME SETTING

**NBM0002500X**

#### INSTALLATION DIAGRAM:



## FREESTANDING WASHER



CODE: WDF6008004

### CM WASHER DRYER FREE-STANDING WASHER DRYER

#### FEATURES:

FREE-STANDING WASHER  
**8KG** WASHING CAPACITY  
**6KG** DRYER  
 PROGRAM KNOB SELECTION  
 ECO-LOGIC SYSTEM  
 FOAM PROTECTION  
 UNBALANCE CONTROL  
 OVERFLOW PROTECTION  
 ELECTRONIC CONTROL SYSTEM  
 FAILURE DETECTION SYSTEM  
 CHILD LOCK  
 WASH CYCLE INDICATOR

#### DIMENSIONS & WEIGHT:

PRODUCT DIMENSION 817.4 X 597.4 X 544.3 MM  
 PACKAGED DIMENSION (W X D X H) 890 X 655 X 601 MM  
 NET WEIGHT 62.5 KG

#### CONTROL:

CONTROL TYPE KNOB, BUTTON  
 DISPLAY TYPE LED

#### PROGRAMS:

ECO 40-60	ALLERGY SAFE
COTTON	SPIN
DOT TON PREWASH	HANDWASH/DELICATE
COTTON 20 C	RAPID 15 MINS.
COLORS	FAST 60, 60 C
SYNTHETICS	JEANS
WOOL	RINSE
MIX	

#### PERFORMANCE:

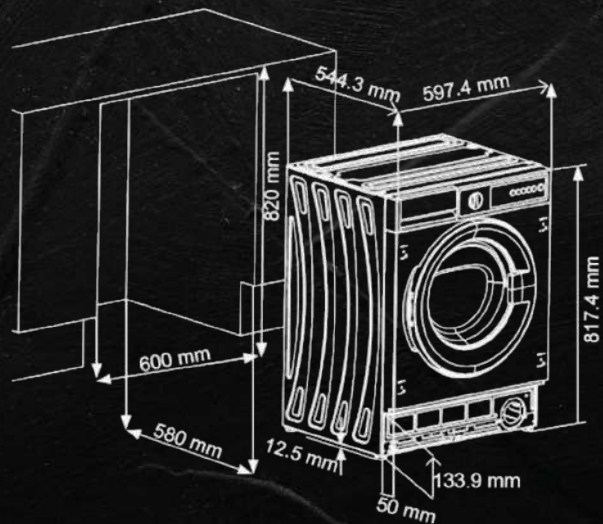
NO. OF PROGRAMS	15
SPINNING NOISE	79 DB
MAX SPIN SPEED	1400 RPM
DRUM VOLUME	49L
CLASS A++ ENERGY EFFICIENCY	
CLASS A WASHING EFFICIENCY	
CLASS D SPINNING EFFICIENCY	
TEMPERATURE SETTING	
SPIN SPEED SETTING	
DELAY TIME SETTING	

■ SILVER **NBM0003100X**

CODE: WDF6008004W

■ WHITE **NBM0002600X**

#### INSTALLATION DIAGRAM:



## FREESTANDING WASHER



CODE: WFS6007003

### CM WASHER 7KG FREE-STANDING WASHER

#### FEATURES:

FREE-STANDING WASHER  
**7 KG** WASHING CAPACITY  
 PROGRAM KNOB SELECTION  
 ECO-LOGIC SYSTEM  
 FOAM PROTECTION  
 UNBALANCE CONTROL  
 OVERFLOW PROTECTION  
 ELECTRONIC CONTROL SYSTEM  
 FAILURE DETECTION SYSTEM  
 CHILD LOCK  
 WASH CYCLE INDICATOR

#### DIMENSIONS & WEIGHT:

PRODUCT DIMENSION 817.4 X 597.4 X 544.3 MM  
 PACKAGED DIMENSION (W X D X H) 890 X 655 X 601 MM  
 NET WEIGHT 62.5 KG

#### CONTROL:

CONTROL TYPE KNOB, BUTTON  
 DISPLAY TYPE LED

#### PROGRAMS:

ECO 40-60	ALLERGY SAFE
COTTON	SPIN
DOT TON PREWASH	HAND WASH/DELICATE
COTTON 20 C	RAPID 15 MINS.
COLORS	FAST 60, 60 C
SYNTHETICS	JEANS
WOOL	RINSE
MIX	

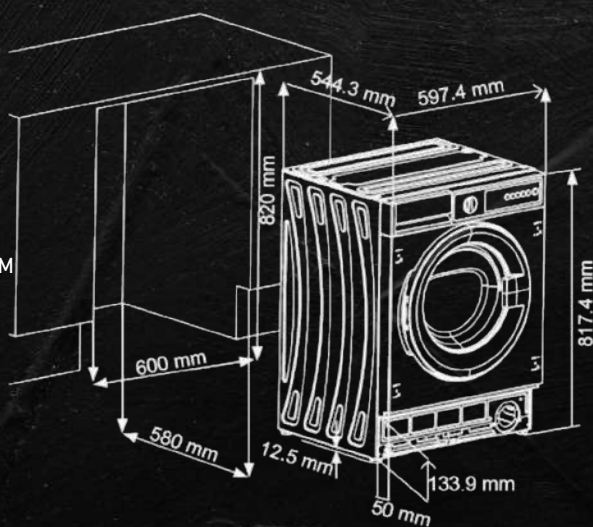
#### PERFORMANCE:

NO. OF PROGRAMS	15
SPINNING NOISE	79 DB
MAX SPIN SPEED	1400 RPM
DRUM VOLUME	49L
CLASS A++ ENERGY EFFICIENCY	
CLASS A WASHING EFFICIENCY	
CLASS D SPINNING EFFICIENCY	
TEMPERATURE SETTING	
SPIN SPEED SETTING	
DELAY TIME SETTING	

■ WHITE **NBM0001450X**

■ SILVER **NBM0001500X**

#### INSTALLATION DIAGRAM:



## FREESTANDING WASHER



CODE: WFS6006005

### CM WASHER 6KG FREE-STANDING WASHER

#### FEATURES:

FREE-STANDING WASHER  
6KG WASHING CAPACITY  
PROGRAM KNOB SELECTION  
ECO-LOGIC SYSTEM  
FOAM PROTECTION  
UNBALANCE CONTROL  
OVERFLOW PROTECTION  
ELECTRONIC CONTROL SYSTEM  
FAILURE DETECTION SYSTEM  
CHILD LOCK  
WASH CYCLE INDICATOR

#### DIMENSIONS & WEIGHT:

PRODUCT DIMENSION 817.4 X 597.4 X 544.3 MM  
PACKAGED DIMENSION (W X D X H) 890 X 655 X 601 MM  
NET WEIGHT 62.5 KG

#### CONTROL:

CONTROL TYPE KNOB, BUTTON  
DISPLAY TYPE LED

#### PROGRAMS:

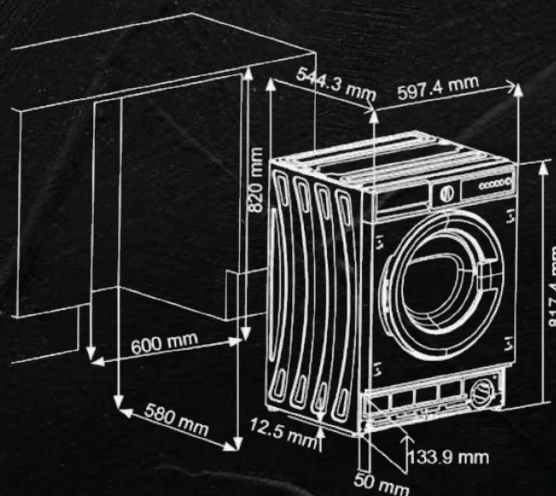
ECO 40-60  
COTTON  
DOT TON PREWASH  
COTTON 20 C  
COLORS  
SYNTHETICS  
WOOL  
MIX  
ALLERGY SAFE  
SPIN  
HANDWASH/DELICATE  
RAPID 15 MINS.  
FAST 60, 60 C  
JEANS  
RINSE

#### PERFORMANCE:

NO. OF PROGRAMS 15  
SPINNING NOISE 79 DB  
MAX SPIN SPEED 1400 RPM  
DRUM VOLUME 49L  
CLASS A++ ENERGY EFFICIENCY  
CLASS A WASHING EFFICIENCY  
CLASS D SPINNING EFFICIENCY  
TEMPERATURE SETTING  
SPIN SPEED SETTING  
DELAY TIME SETTING

**NBM0001350X**

#### INSTALLATION DIAGRAM:



# CHIMNEY S D O H





### ISLAND CHIMNEY SERIES



FRAME



Vis boxy



SIDE AN/F/100



F181 XXL



ECLIPSE



BALLERINA



ISOLA CYLINDER



ISOLA EAGLE

### WALL-MOUNTED SERIES



Q-BIC AN/F/9



VIS HEAD FREE AN/A/90



MASTER BLACK



JADE NERO



VARIETY BK



SUPRA



CURVE



SHARK



FLAMINGO



FLORENCE BLACK 90



FLORENCE 60



SWING



SOLE



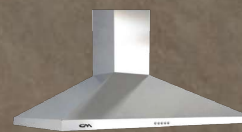
LUNA



BUTTERFLY NERO



BUTTERFLY STANSYEEL



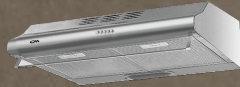
AQUA E



## UNDER-CABINET SERIES



C3 SLIDER



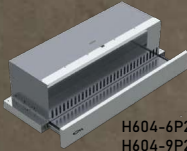
C3 PUSH BUTTON



S4 PULL-OUT



H604-6PB  
H604-9PB



H604-6P2  
H604-9P2



H604-6P2G  
H604-9P2G

## BUILT-IN COOKER HOOD



F96 TLC



F97



BELLA



STILO

## CEILING SERIES



CEILING





CODE: CCFRA180026

# FRAME

FEATURES:



FUNCTIONS:

180 CM ISLAND EXTRACTOR HOOD

MAX AIR FLOW: 850 M<sup>3</sup>/H

NOISE LEVEL: 49/64 DB(A)

CONTROL: REMOTE CONTROL

4 SPEEDS (3+1 INTENSIVE)

READY FOR INTEGRAL SYSTEM

LAMPS: 4 X 4.1W LED

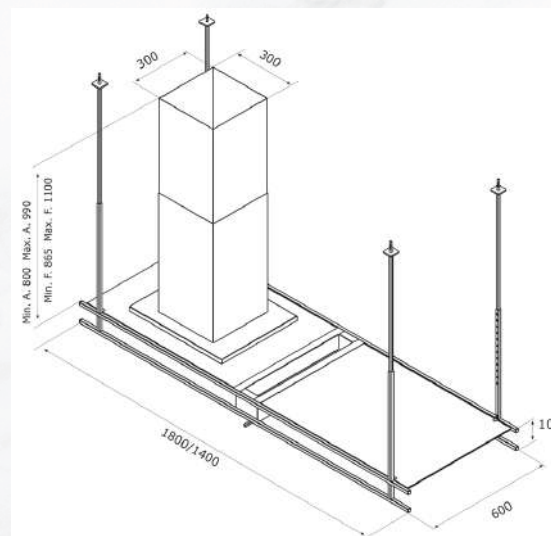
SIZE: 180 X 60 CM

FINISH: MATTE BLACK WITH DARK GLASS

FILTERS: WASHABLE GREASE FILTERS

CHARCOAL FILTERS FOR RECIRCULATION (OPTIONAL)

INSTALLATION DIAGRAM:

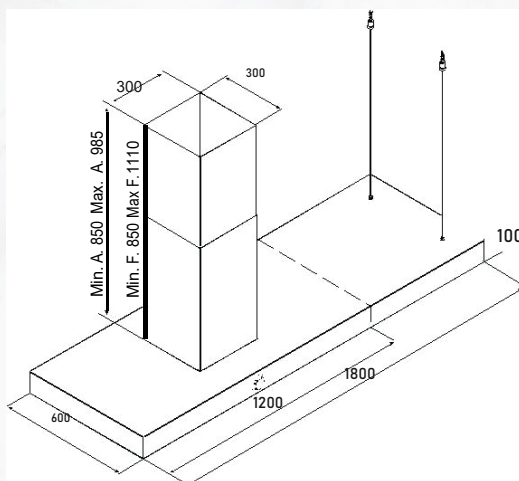


NBM00012450X



CODE : CCVISI180007

## VIS BOXY ISLAND



### PERFORMANCE

IEC RANGE	880 M <sup>3</sup> /H
SOUND LEVEL	48/62/70 DB(A)
TOTAL ABSORPTION	179,8 W
<b>LIGHTING</b>	
LAMPS	4,8 W LED BAR
COLOR TEMPERATURE	4000 K
INTENSITY	100 LUX

### TECHNICAL DATA

SIZE 120X60/180X60 CM

COMMANDING ELECTRONIC ROTARY CONTROL WITH POWER MODULATION

### FEATURES

- NO-DROP SYSTEM WITH STAINLESS STEEL BAFFLE FILTERS
- REMOVABLE AND WASHABLE CONDENSATE COLLECTION TRAY
- ROTARY CONTROL WITH POWER MODULATION



CODE : CCVISI180008  
NBM00011550X



CODE : CCSIDE10003

## SIDE



### FEATURES

- 2 MOTORS WITH INDEPENDENT O
- HIGH EFFICIENCY CERAMIC ODOUR FILTERS
- LATERAL AIR OUTLETS
- 2 FULLY FUNCTIONAL SHELVES
- FILTER CONTROL
- TIMER
- READY FOR INTEGRA SYSTEM
- FILTER
- RECIRCULATION ONLY

### PERFORMANCE

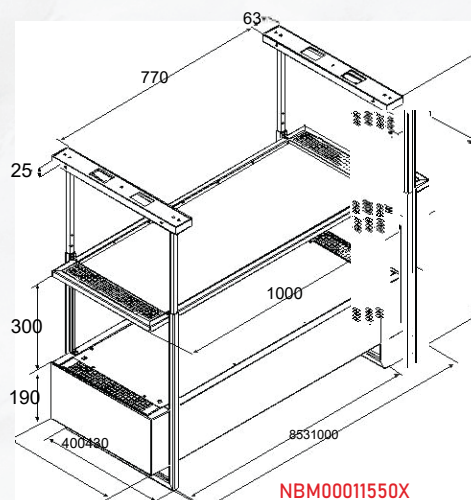
<b>MAXIMUM FLOW</b>	490 M <sup>3</sup> /H
<b>NOISE LEVEL</b>	63/69/71 DB(A)
<b>TOTAL ABSORPTION</b>	284 W

### LIGHTING

<b>LAMPS</b>	2X9 W LED BAR
<b>COLOR TEMPERATURE</b>	4000 K
<b>INTENSITY</b>	460 LUX

### TECHNICAL DATA

<b>SIZE</b>	100X43 CM
<b>4 SPEED TWIN ENGINE TOUCH CONTROL</b>	





CODE : CCF181100532

# F181 XXL

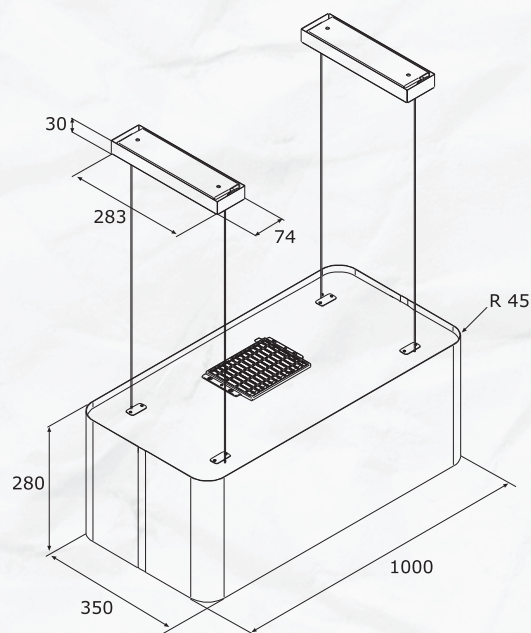
## FUNCTIONS:



## FEATURES:

- MAX AIR FLOW: 100 CM 764 M<sup>3</sup>/H
- NOISE LEVEL: 100 CM 50/65 DB(A)
- CONTROL: REMOTE CONTROL 4 SPEEDS (3+1 SENSITIVE)  
READY FOR INTEGRAL SYSTEM
- LAMPS: 2 X 2, 1W LED
- SIZE: 1000 X 350 MM
- FINISH: BLACK PAINTED STEEL WITH  
GLOSSY STEEL DECORATIVE INSERTS
- FILTERS: WASHABLE GREASE FILTERS  
\*CHARCOAL FILTERS NOT INCLUDED\*

## INSTALLATION DIAGRAM:



NBM0004500X



 **Airforce**

**TATA**





CODE : CCECL9048

# ECLIPSE

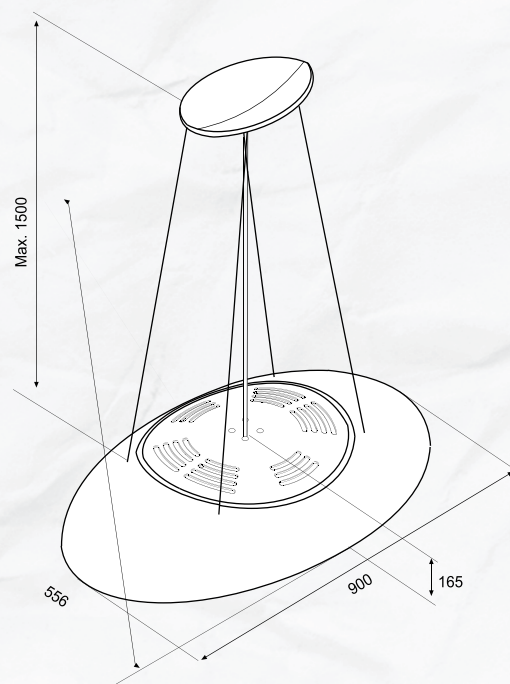
FEATURES:



FUNCTIONS:

- MAX AIR FLOW: 750 M<sup>3</sup>/H
- NOISE LEVEL: 54/67 DB(A)
- CONTROL: 100 CM  
REMOTE CONTROL 4 SPEEDS (3+1 SENSITIVE)  
READY FOR INTEGRAL SYSTEM
- LAMPS: 12 W LED STRIP 72 LED
- SIZE: 90 X 56 CM
- FINISH: PEARL WHITE, BLACK PAINTED POLYMER
- FILTERS: WASHABLE GREASE FILTERS  
CHARCOAL FILTERS INCLUDED

INSTALLATION DIAGRAM:



CODE :CCECL9049

- BLACK NBM0005750X
- WHITE NBM0005750X



CODE : CCBAL5038

# BALLERINA

## FEATURES:



## FUNCTIONS:

MAX AIR FLOW: 765 M<sup>3</sup>/H  
 NOISE LEVEL: 49/64 DB(A)  
 CONTROL: TOUCH CONTROL DISPLAY AND REMOTE CONTROL  
 4 SPEEDS (3+1) INTENSIVE  
 READY FOR INTEGRAL SYSTEM

LAMPS: 4 X 1W LED

SIZE: Ø 47.5 CM

FINISH: BLACK PAINTED POLYMER, WHITE PAINTED POLYMER

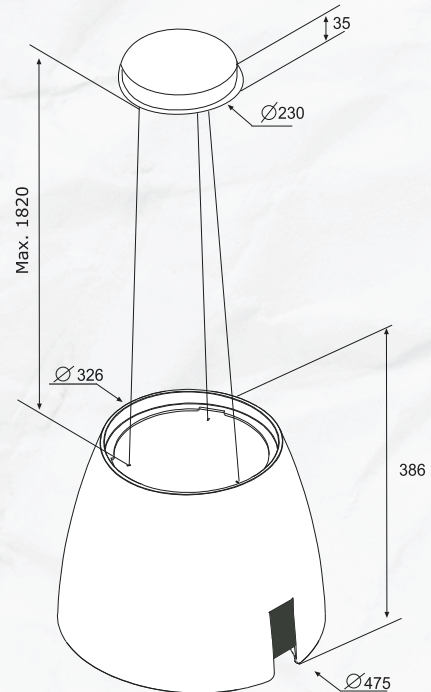
FILTERS: CRISALIDE SYSTEM-WASHABLE DECORATIVE BULPREN  
 STAINLESS STEEL GREASE FILTERS  
 CHARCOAL FILTERS FOR RECIRCULATION MODE (OPTIONAL)



CODE : CCBAL5037

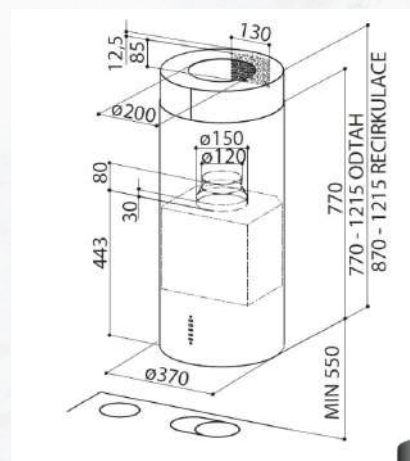
■ BLACK NBM0005550X  
 ■ WHITE NBM0005550X

## INSTALLATION DIAGRAM:





INSTALLATION DIAGRAM:



CODE :HDISB90036

**CYLINDER**

MAIN CONTROL:



PUSH BUTTON



3 SPEEDS WITH REMOTE CONTROL

SENSOR AUTO

CLEAN AND VOICE REPORT

FEATURES:



STAINLESS STEEL



3 X 1 W LED LAMPS



FULL SEALED ALUMINIUM TOW AXIS MOTOR



220 V, 50-60 HZ



150 - 120 MM OUTLET



500 + 500 MM



CHARCOLAL FILTER

■ BLACK

■ CODE :HDISS60024 , STAINLESS STEEL

500 + 500 MM **NBM0002950X**



MOTOR FAN:



850-1000 M<sup>3</sup>/H



234



JC1





CODE :HDISB90002

## ISOLA EAGLE

MAIN CONTROL:



TOUCH CONTROL WITH REMOTE



3 SPEEDS

FEATURES:



STAINLESS STEEL



LED



BAFFLE FILTERS



220 V, 50-60 HZ



50 + 50 CM CHIMNEY



900 MM

MOTOR FAN:



1000 M<sup>3</sup>/H

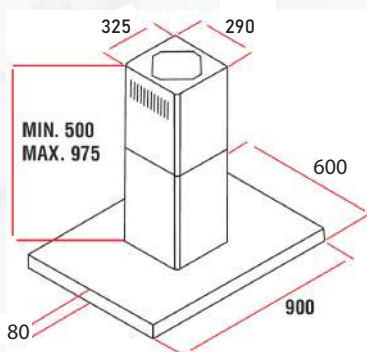
NOISE LEVEL: 49/64 DB(A)



CODE :HDISS90001



INSTALLATION DIAGRAM:



■ INOX

■ BLACK

90 CM [NBM0002275X](#)

90 CM [NBM0002475X](#)



CODE : CF17110XWLTLC

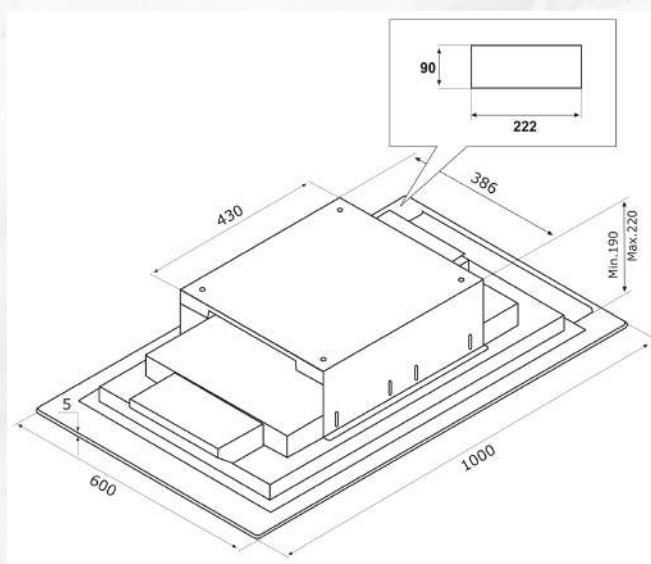
## CEILING HOOD

### FUNCTIONS:



**MAX AIR FLOW:** 780 M3/H  
**CONTROL:** REMOTE CONTROL, 10 SPEEDS  
**LAMPS:** 2 X 5W LED BAR  
**NOISE LEVEL:** 48/64 DB(A)  
**SIZE:** 100 X 55 CM  
**FINISH:** WHITE PAINTED STEEL WITH WHITE GLASS  
**FILTERS:** WASHABLE GREASE FILTERS

### INSTALLATION DIAGRAM:



NBM0007300X

 **Airforce**



# WALL MOUNTED HOOD

# WALL MOUNTED



**Airforce**

CODE : CCQBICWG90502

## Q-BIC



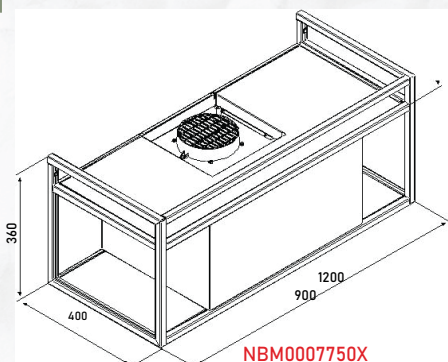
### FEATURES

SIDE SHELVES IN DARK GLASS

UPPER SUPPORT SURFACE

BACK ASPIRATION

READY FOR INTEGRA SYSTEM



### PERFORMANCE

IEC RANGE 656 M<sup>3</sup>/H

SOUND LEVEL 47/59/63 DB(A)

TOTAL ABSORPTION 224,8 W

### LIGHTING

LAMPS 4,8 W LED BAR

COLOR TEMPERATURE 4000 K

INTENSITY 97 LUX

### TECHNICAL DATA

SIZE 90-120 CM

COMMANDING 4 SPEED REMOTE CONTROL (3+1 INTENSIVE)  
REMOTE CONTROL 4 SPEEDS (3+1 INTENSIVE)

FINISHING ANTHRACITE  
ANTHRACITE BLACK

AIR OUTLET SIZE 150 MM

FILTERS WASHABLE GREASE  
FILTERS

WASHABLE GREASE FILTERS  
OPTIONAL ODOUR FILTERS  
ODOUR FILTERS OPTIONAL

### ACCESSORIES

ODOUR FILTERS KIT STANDARD AFFCAF89A  
LONG LIFE AFFCAF89ALL

CHIMNEYS KIT KCF16BKF4/150/V

### MODELS

90 CM Q-BIC AN/F/90 CCQBICWG90502



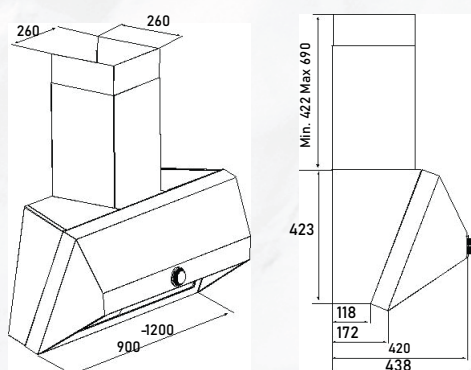
 **Airforce**  
**F153**





CODE: CCVISW90001

# VISHEAD FREE

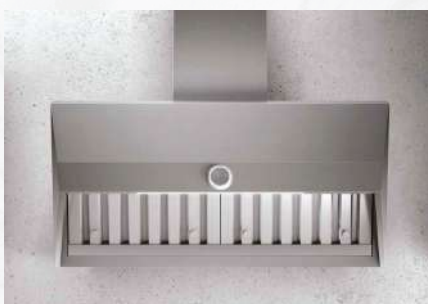


## PERFORMANCE

IEC AIR FLOW	880 m <sup>3</sup> /h
NOISE LEVEL	48/62/70 dB(A)
TOTAL ABSORPTION	179,8 W
<b>LIGHTING</b>	
Lamps	4,8 W Led bar
COLOR TEMPERATURE	4000 K
INTENSITY	100 Lux

## FEATURES

- NO-DROP SYSTEM WITH STAINLESS STEEL BAFFLE FILTERS
- REMOVABLE AND WASHABLE DRIP TRAY
- ROTARY CONTROL WITH POWER MODULATION



CODE: CCVISW90002

90CM BLACK **NBM0007350X**

90CMSTAINLESS STEEL **NBM0007350X**

## TECHNICAL DATA

SIZE	90-120 CM
CONTROL	ELECTRONIC ROTARY CONTROL WITH POWER MODULATION

FINISH	STAINLESS STEEL OR ANTHRACITE BLACK
AIR OUTLET SIZE	150 MM
FILTERS	STAINLESS STEEL MUSTACHE GREASE FILTERS + REMOVABLE, WASHABLE COLLECTION TRAYS ODOUR FILTERS OPTIONAL

## ACCESSORIES

ODOUR FILTERS KIT	AFCFCAMP
-------------------	----------

## MODELS

90 CM SST	VIS HEAD FREE IX/A/90	CCVISW90001
90 CM ANTHRACITE	VIS HEAD FREE AN/A/90	CCVISW90002



 **Airforce**

**ICONIC**





CODE : HDWMB90032

## MASTER

### MAIN CONTROL:



PUSH BUTTON



3 SPEEDS WITH REMOTE CONTROL

SENSOR AUTO

CLEAN AND VOICE REPORT

### FEATURES:



STAINLESS STEEL



2 X 1.5 W LED LAMPS



ALUMINUM PANEL



220 V, 50-60 HZ



150 - 120 MM OUTLET



900 MM



BAFFLE FILTER

### MOTOR FAN:



1000 M<sup>3</sup>/H



234

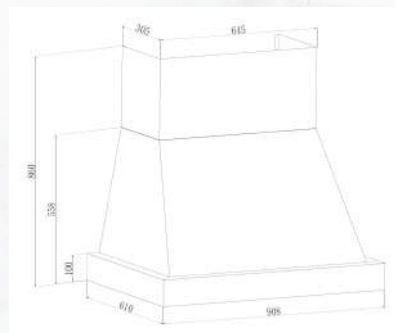


64



JC1

### INSTALLATION DIAGRAM:



■ BLACK

■ COPPER CODE : HDWMB90037

90 CM **NBM0003300X**





CODE :HDWMB90008

## JADE NERO

### FEATURES:

RANGE HOOD

SIZE: 900MM RIGHT ANGLE TOP SS

CHIMNEY: WITH ONE 500 MM BODY

LIGHT: 5 BEADS LED LIGHT LAMP (2 X 1.5W)

SWITCH: HAND SENSOR WITH TOUCH/SMOKING /AUTO CLEAN/VOICE REPORT

AIR OUTLET:  $\Phi 160$ , 1.5M ALUMINUM PIPE

AIRFLOW: 1200M<sup>3</sup>/HR

BRITISH PLUG: 220V/50HZ

CARTON: RECTANGLE WITH FOAM SUPPORT

CARTON SIZE: 970 X 415 X 110 MM

(SUCTION FROM BOTH PLACES FROM FRONT AND TOP)

QTY (CTNS) 55

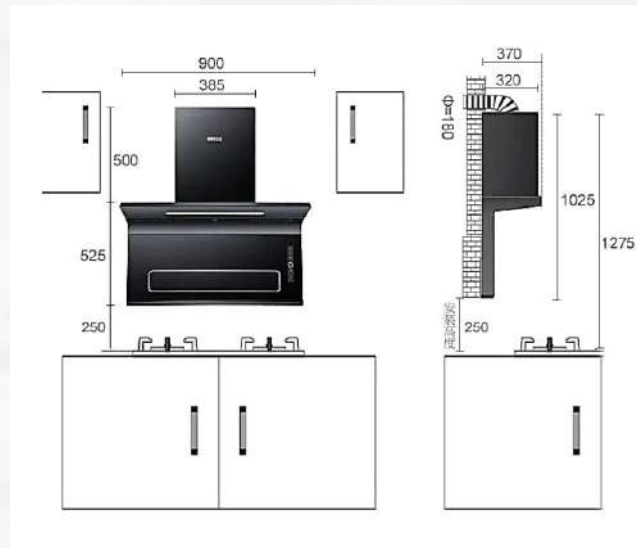
G.W. ( KGS ) 18.3

N.W. ( KGS ) 17.5

TOTAL G.W. ( KGS ) 1006.50

NOISE LEVEL: 49/64 DB(A)

### INSTALLATION DIAGRAM:



■ BLACK

90 CM [NBM0001845X](#)





CODE: HDWMB90004

## VARIETY

MAIN CONTROL:

- TOUCH SWITCH WITH HAND SENSOR
- 3 SPEEDS , RANGE HOOD

FEATURES:

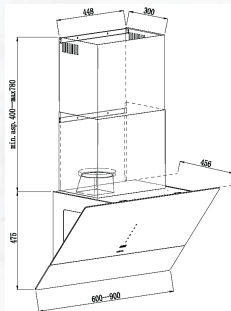
- MATTE BLACK WITH BLACK TEMPERED GLASS
- 2 X 1.5 W LED
- ALUMINUM FILTER WITH PLASTIC OIL CUP
- 220 V, 50-60 HZ
- 160 MM OUTLET
- 945 MM

MOTOR FAN:

- 1000 M<sup>3</sup>/H
- LED DISPLAY

NOISE LEVEL: 49/64 DB(A)

INSTALLATION DIAGRAM:



90 CM **NBM0001300X**  
60 CM **NBM0001200X**



90 CM CODE : HDWMB90004:  
60 CM CODE : HDWMB60001:



90 CM CODE: HDWMB90005



90 CM CODE: HDWMC90006  
60 CM CODE: HDWMC60002



CODE : HDWMB90027

## SUPRA

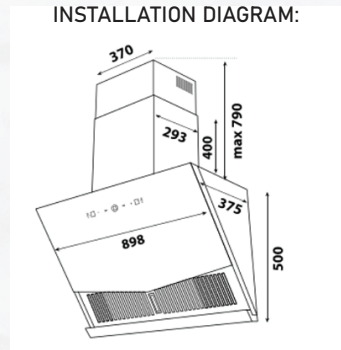
MAIN CONTROL:

- TOUCH SWITCH WITH HAND SENSOR
- 3 SPEEDS

FEATURES:

- AC MOTOR 1X 280W (COPPER)
- SIZE 900MM3.TOUCH CONTROL+ SPEED
- AIR FLOW: 1000M<sup>3</sup>/H
- FULL BACK BODY WITH 2\*400MM CHIMNEYS
- 4.5MM TEMPERED GLASS
- 2M AL FOIL PIPE
- PACKAGE: 1 CARTON+POLY FOAM
- BIG METAL OIL COLLECTOR
- NOISE LEVEL: 49/64 DB(A)

INSTALLATION DIAGRAM:



■ BLACK

90 CM **NBM0001395X**



CODE: HDWMB90007

## CURVE

### MAIN CONTROL:



TOUCH SWITCH WITH HAND SENSOR



3 SPEEDS , RANGE HOOD

### FEATURES:



MATTE BLACK WITH BLACK TEMPERED GLASS



2 X 1.5 W LED



ALUMINUM FILTER WITH PLASTIC OIL CUP



220 V, 50-60 HZ



160 MM OUTLET



900 MM



CARBON FILTER

NOISE LEVEL: 49/64 DB(A)

### MOTOR FAN:



1000 M<sup>3</sup>/H



LED DISPLAY

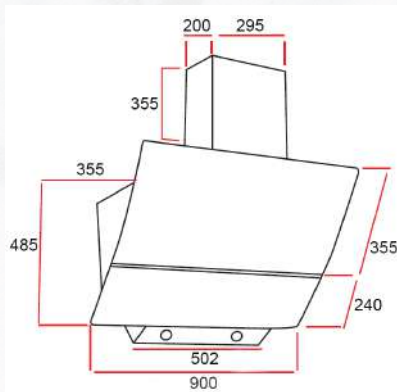
QTY (CTNS) 55

N.W. ( KGS ) 17.5

G.W. ( KGS ) 18.3

TOTAL G.W. ( KGS ) 1006.50

### INSTALLATION DIAGRAM:



■ BLACK  
90 CM NBM0001245X





CODE: HDWMB90011

## SHARK

### MAIN CONTROL:

TOUCH CONTROL WITH REMOTE

3 SPEEDS

### FEATURES:

BLACK STAINLESS STEEL 2 X 1.5 W LAMPS

BAFFLE FILTER 220 V, 50-60 HZ

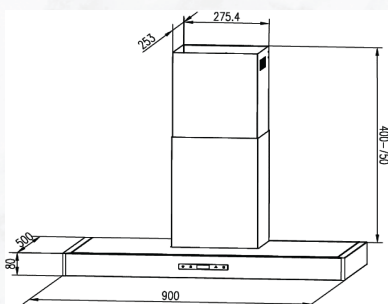
160 MM OUTLET 900 MM

### MOTOR FAN:

1000 M<sup>3</sup>/H 62

- -

### INSTALLATION DIAGRAM:



■ BLACK  
90 BLACK **NBM0001450X**



CODE: HDWMS90009

## FLAMINGO

### MAIN CONTROL:

TOUCH CONTROL WITH REMOTE

3 SPEEDS

### FEATURES:

STAINLESS STEEL 2 X 1.5 W LAMPS

BAFFLE FILTER 220 V, 50-60 HZ

150 MM OUTLET 900

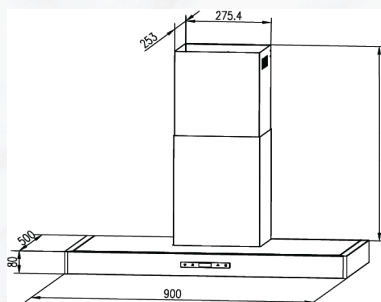
CHIMINY : 400 = 400 MM

### MOTOR FAN:

1000 M<sup>3</sup>/H 65

LED DISPLAY -

### INSTALLATION DIAGRAM:



■ INOX  
90 CM **NBM0001395X**



CODE: HDWMB90033

## FLORENCE BLACK

### MAIN CONTROL:

VOICE COMMANDE , RANGE HOOD

TOUCH SWITCH

3 SPEEDS

### FEATURES:

STAINLESS STEEL

2 X 3 LAYERS ALUMINUM FILTER

150 MM OUTLET

2 X 1.5 W LAMPS

220 V, 50-60 HZ

600, 900 MM

CARBON FILTER

### MOTOR FAN:

1200 M<sup>3</sup>/H

210 W, SINGLE MOTOR

62

-

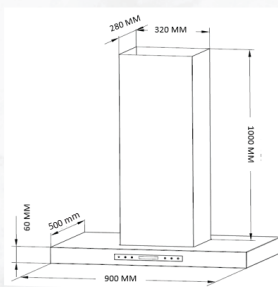
QTY (CTNS) 45

G.W. (KGS) 14.8

N.W. (KGS) 14

TOTAL G.W. (KGS) 666.00

### INSTALLATION DIAGRAM:



■ BLACKVOICE COMMAND

90 CM **NBM0001050X**



CODE: HDWMS90013 , HDWMS60005

## FLORENCE

### MAIN CONTROL:

TOUCH SWITCH , RANGE HOOD

3 SPEEDS HANDS SENSOR TOUCH BUTTON 90 CM

### FEATURES:

STAINLESS STEEL

2 X 3 LAYERS ALUMINUM FILTER

150 MM OUTLET

2 X 1.5 W LAMPS

220 V, 50-60 HZ

600, 900 MM

CARBON FILTER

### MOTOR FAN:

1200 M<sup>3</sup>/H

210 W, SINGLE MOTOR

62

-

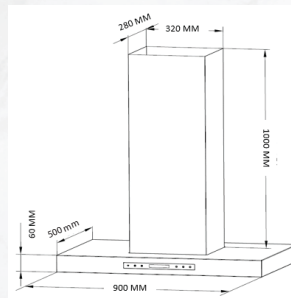
QTY (CTNS) 165

G.W. (KGS) 14.8

N.W. (KGS) 14

TOTAL G.W. (KGS) 2442.00

### INSTALLATION DIAGRAM:



■ STAINLESS TEEL

90 CM **NBM0001050X**

60 CM **NBM000875X**



CODE: HDWMS90014, HDWMS60006

## SWING

MAIN CONTROL:

TOUCH SWITCH WITH HAND SENSOR

3 SPEEDS

FEATURES:

STAINLESS STEEL

2.1 X 5 W LED

3 LAYERS OF ALUMINUM FILTER WITH PLASTIC OIL CUP

220 V, 50-60 HZ

160 MM OUTLET

600, 900 MM

62

CARBON FILTER

MOTOR FAN:

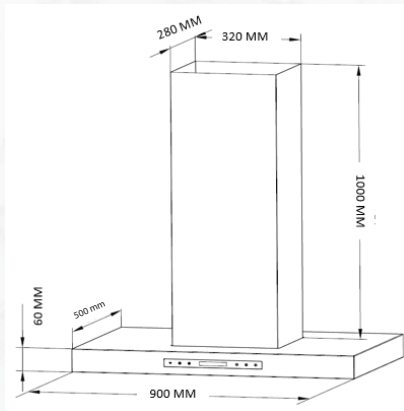
860 ± 50 M<sup>3</sup>/H

-

-

SINGLE COPPER MOTOR

INSTALLATION DIAGRAM:



■ STAINLESS STEEL

90 CM **NBM000875X**  
60 CM **NBM000800X**



CODE: HDWMS90010, HDWMS60003

## SOLE

MAIN CONTROL:

PUSH BUTTON

3 SPEEDS

FEATURES:

STAINLESS STEEL

2 X 1.5 W LED

2 X 3 LAYERS OF ALUMINUM FILTER

220 V, 50-60 HZ

150 MM OUTLET

600, 900 MM

CARBON FILTER

MOTOR FAN:

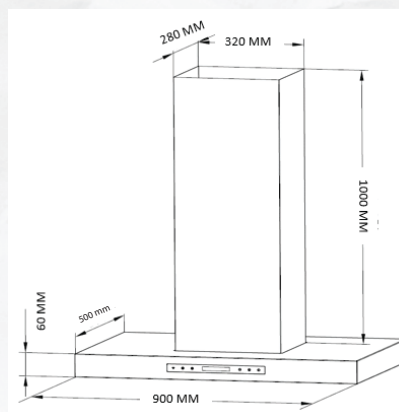
1000 M<sup>3</sup>/H

-

62

210 W, SINGLE MOTOR

INSTALLATION DIAGRAM:



■ STAINLESS STEEL

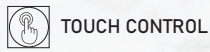
90 CM **NBM000925X**  
60 CM **NBM000695X**



CODE : HDWMB90034

## LUNA TWIN

MAIN CONTROL:



TOUCH CONTROL



3 SPEEDS

FEATURES:



GLASS,  
STAINLESS STEEL



2 X 20 W HALOGEN



ALUMINUM PANEL



220 V, 50-60 HZ



150 - 120 MM OUTLET



600, 900 MM

MOTOR FAN:



750-900 M<sup>3</sup>/H



234 PA

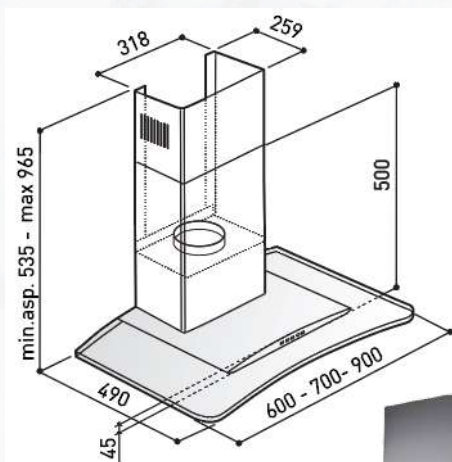


dB A



JC1

INSTALLATION DIAGRAM:



■ BLACK

90 CM **NBM0001000X**



CODE : HDWMS90015

■ STAINLESS STEEL, GLASS

90 CM **NBM000975X**

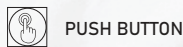




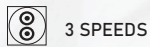
CODE: HDWMB90016 , HDWMB60007

## BUTTERFLY NERO

MAIN CONTROL:



PUSH BUTTON

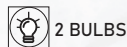


3 SPEEDS

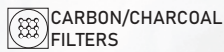
FEATURES:



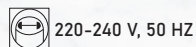
BLACK



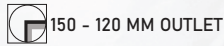
2 BULBS



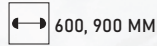
CARBON/CHARCOAL FILTERS



220-240 V, 50 HZ

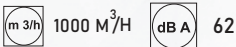


150 - 120 MM OUTLET

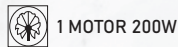


600, 900 MM

MOTOR FAN:



1000 M<sup>3</sup>/H 62



1 MOTOR 200W

QTY (CTNS) 75

N.W. ( KGS ) 750

QTY (PCS) 75

G.W. ( KGS ) 888.75

BUTTERFLY NERO 60 CM

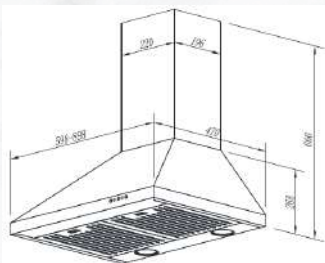
QTY (CTNS) 30

N.W. ( KGS ) 270

QTY (PCS) 30

G.W. ( KGS ) 315

INSTALLATION DIAGRAM:



■ BLACK

90 CM **NBM000775X**

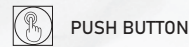
60 CM **NBM000650X**



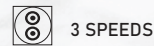
CODE: HDWMS90017 , HDWMS60008

## BUTTERFLY

MAIN CONTROL:

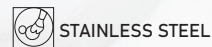


PUSH BUTTON

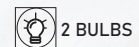


3 SPEEDS

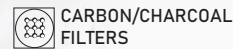
FEATURES:



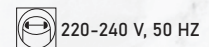
STAINLESS STEEL



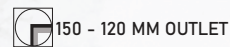
2 BULBS



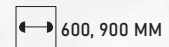
CARBON/CHARCOAL FILTERS



220-240 V, 50 HZ



150 - 120 MM OUTLET



600, 900 MM

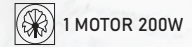


62

MOTOR FAN:



1000 M<sup>3</sup>/H



1 MOTOR 200W

QTY (CTNS) 209

N.W. ( KGS ) 2090

QTY (PCS) 209

G.W. ( KGS ) 2476.65

BUTTERFLY INOX 60 CM

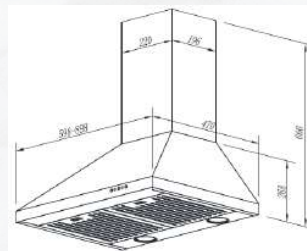
QTY (CTNS) 150

N.W. ( KGS ) 1350

QTY (PCS) 150

G.W. ( KGS ) 1575

INSTALLATION DIAGRAM:



■ STAINLESS STEEL

90 CM **NBM000725X**

60 CM **NBM000575X**





CODE: HDWMS90018 , HDWMS60009

## AQUA

### MAIN CONTROL:



PUSH BUTTON



3 SPEEDS

### FEATURES:



STAINLESS STEEL



ALUMINUM PANELS



150 - 120 MM OUTLET



62



2 X 40 W BULBS



220 V, 50-60 HZ



900 MM



CARBON FILTER OPTION

### MOTOR FAN:



450-500 M<sup>3</sup>/H



228

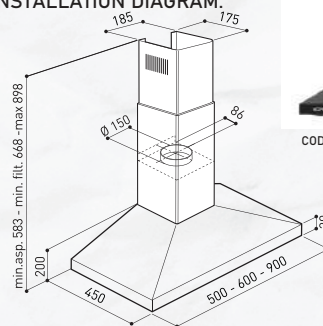


50 - 61



JC1

### INSTALLATION DIAGRAM:



CODE: HDWMB90019 , HDWMB60010

■ STAINLESS STEEL

90 CM **NBM000465X**

60 CM **NBM000375X**

■ BLACK

90 CM **NBM000525X**

60 CM **NBM000450X**



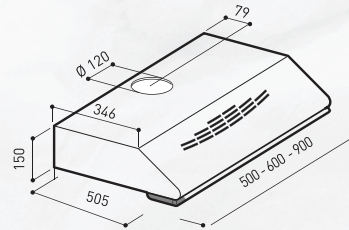
### C3 SLIDER

FINISH: STAINLESS STEEL, WHITE  
CONTROL: SLIDE CONTROL  
LIGHTING: 1 X 40 W BULB

GREASE FILTER: ALUMINUM FILTER  
OUTLET: 120 MM  
MOTOR UNIT: SINGLE (1)  
SPEED: 3  
AIR CAPACITY: 175 M<sup>3</sup>/H  
PRESSURE: 164 PA  
ACOUSTIC POWER: 54 DBA

#### CODE :

90 CM SS HDUCS90023 NBM000450X  
60 CM SS HDUCS60014 NBM000375X  
60CM WHITE HDUCW60015 NBM000350X



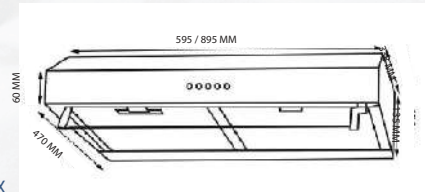
### C3 PUSH BUTTON

FINISH: STAINLESS STEEL, WHITE  
CONTROL: PUSH BUTTON  
LIGHTING: 2 X 1.5 W LED

GREASE FILTER: ALUMINUM PANEL  
OUTLET: 120 MM  
MOTOR UNIT: SINGLE (1)  
SPEED: 3  
AIR CAPACITY: 320 - 400 M<sup>3</sup>/H  
PRESSURE: -  
ACOUSTIC POWER: 45 - 55 DBA

#### CODE :

90 CM SS HDUCS90024 NBM000350X  
60 CM SS HDUCS60017 NBM000310X  
90 CM WHITE HDUCW90025 NBM000340X  
60 CM WHITE HDUCW60018 NBM000300X



REF : 90 CM SS K0020374  
60 CM SS K0020364  
90 CM WHITE K0020373  
60 CM WHITE K0020363



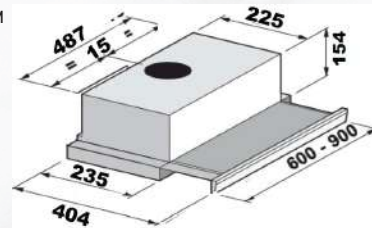
### H604-9PS H604-6PS

FINISH: STAINLESS STEEL, BLACK  
CONTROL: ROCKER SWITCH  
LIGHTING: 1 X 1.5W LED

GREASE FILTER: 2 X 3 LAYERS ALUMINUM  
MOTOR UNIT: SINGLE (1)  
SPEED: 2  
AIR CAPACITY: 400 M<sup>3</sup>/H  
PRESSURE: -  
ACOUSTIC POWER: 65 DBA  
ENERGY EFFICIENCY: B

#### CODE :

90 CM SS HDUCS60035 NBM000450X  
60 CM SS HDUCS60020 NBM000410X



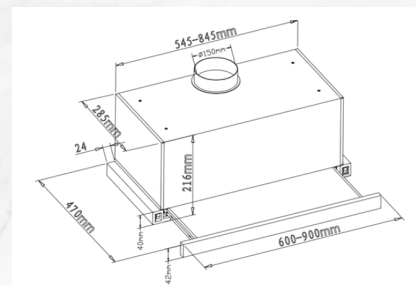
### H604-9PB H604-6PB

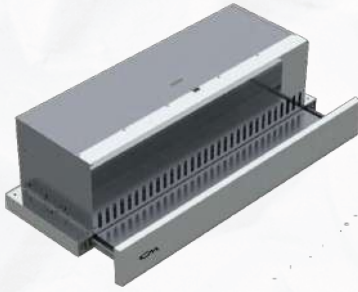
FINISH: BLACK  
CONTROL: ROCKER SWITCH  
LIGHTING: 1 X 1.5W LED

GREASE FILTER: 2 X 3 LAYERS ALUMINUM  
OUTLET: SINGLE (1)  
MOTOR UNIT: 2  
SPEED: 400 M<sup>3</sup>/H  
AIR CAPACITY: -  
PRESSURE: 65 DBA  
ACOUSTIC POWER: B

#### CODE :

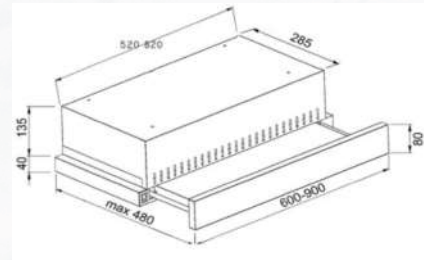
90 CM HDUCB90030 NBM000450X  
60 CM HDUCB60023 NBM000410X





**F6 INOX**  
**H604-9P2**  
**H604-6P2**

GREASE FILTER: ALUMINUM PANEL  
OUTLET: 120 MM  
MOTOR UNIT: 2 X 95W  
SPEED: 3  
AIR CAPACITY: 450 M  
PRESSURE: -  
ACOUSTIC POWER: 56 DBA  
FINISH: STAINLESS STEEL  
CONTROL: SWITCH  
LIGHTING: SINGLE LED

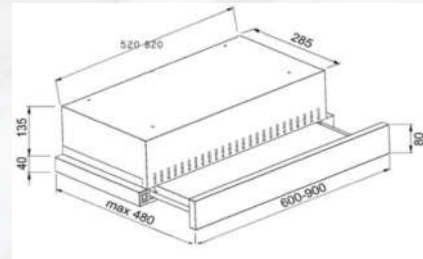


**CODE :**  
90 CM [HDUCS90026](#) [NBM000450X](#)  
60 CM [HDUCS60019](#) [NBM000415X](#)



**F6 BLACK**

GREASE FILTER: 2 X 3 LAYERS ALUMINUM  
MOTOR UNIT: SINGLE (1)  
SPEED: 2  
AIR CAPACITY: 420 M<sup>3</sup>/H  
PRESSURE: -  
ACOUSTIC POWER: 65 DBA  
ENERGY EFFICIENCY: B  
AC MOTOTR: 420 M  
FINISH: STAINLESS STEEL, BLACK  
CONTROL: ROCKER SWITCH  
LIGHTING: 1 X 1.5W LED



**CODE :**  
90 CM [HDUCS90029](#) [NBM000525X](#)  
60 CM [HDUCS60022](#) [NBM000495X](#)





## F96TLC

### FEATURES:



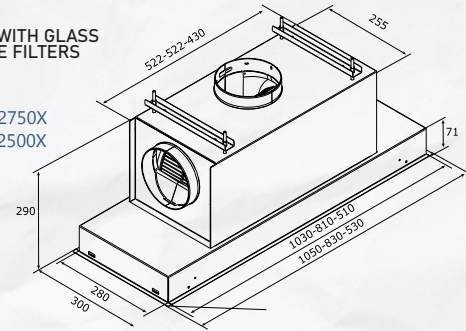
MAX AIR FLOW: 800 M<sup>3</sup>/H  
 NOISE LEVEL: 50/66 DB(A)  
 CONTROL: REMOTE CONTROL  
 4 SPEEDS (3+1 INTENSIVE)  
 GREASY FOR INTEGRAL SYSTEM  
 LAMPS: 4 X 2.2 LED



SIZE: 53 CM , 83 CM  
 FINISH: STAINLESS STEEL WITH GLASS  
 FILTERS: WASHABLE GREASE FILTERS

### CODE :

83CM , CCF9683562 NBM0002750X  
 53CM , CCF965513 NBM0002500X



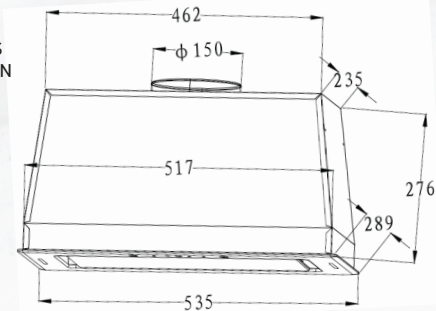
## F97

FINISH: BLACK FINISH  
 CONTROL: TOUCH AND MOTION CONTROL  
 LIGHTING: 2 LAMPS

GREASE FILTER: 3 ALUMINUM FILTERS  
 WITH CARBON COTTON  
 OUTLET: 150 MM  
 MOTOR UNIT: SINGLE, 200W  
 SPEED: 3  
 AIR CAPACITY: 700 M<sup>3</sup>/H  
 SIZE:

### CODE :

72 CM , HDUCB90020 NBM0001600X  
 52CM , HDUCB60011 NBM0001400X



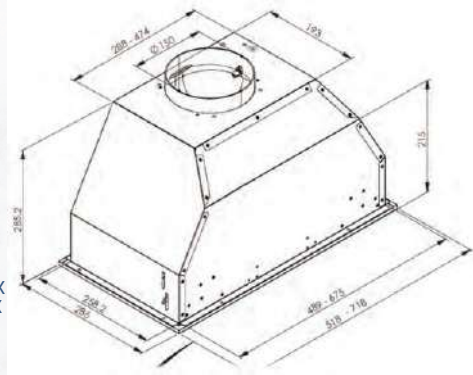
## BELLA

FINISH: STAINLESS STEEL  
 CONTROL: ELECTRICAL CONTROL MR  
 LIGHTING: 2 X 1.2 W LED LAMP

GREASE FILTER: ALUMINUM PANEL  
 OUTLET: 150 MM  
 MOTOR UNIT: SINGLE S35  
 SPEED: 4  
 AIR CAPACITY: 800 M<sup>3</sup>/H  
 PRESSURE: -  
 ACOUSTIC POWER: 63 DBA

### CODE :

72 CM SS , HDUCB90021 NBM0002000X  
 52 CM SS , HDUCB60012 NBM0001800X



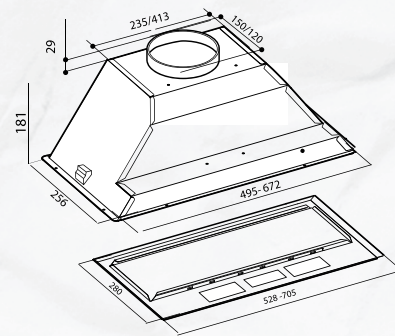
## STILO

FINISH: STAINLESS STEEL  
 CONTROL: SLIDER  
 LIGHTING: 2 X 40 W BULB

ACCESSORIES: CHARCOAL FILTER  
 GREASE FILTER: ALUMINUM PANEL  
 OUTLET: 150 MM  
 MOTOR UNIT: JC 1  
 SPEED: 3  
 AIR CAPACITY: 400 M<sup>3</sup>/H  
 PRESSURE: 174  
 ACOUSTIC POWER: 50 DBA

### CODE :

72 CM SS HDUCS90022 NBM000600X  
 52 CM SS HDUCS60013 NBM000540X







UNDER-MOUNT

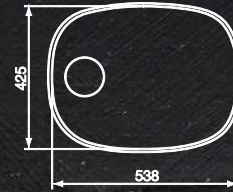


CINZIA



CODE: 011955

SATIN-FINISHED F3"  
OVERALL SIZE: 538 X 425 X 170 MM  
BASE: 800 MM  
CUT OUT: 538 X 425 MM  
NBM000675X

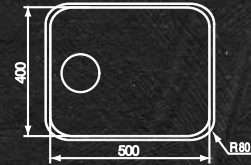


CINZIA



CODE: 011957

SATIN-FINISHED F3"  
OVERALL SIZE: 500 X 400 X 200 MM R80 / R90  
BASE: 800 MM  
CUT OUT: 500 X 400 MM R80  
NBM000650X



CINZIA



CODE: 011953

SATIN-FINISHED F3"  
OVERALL SIZE: 410 X 342 X 190 MM R80  
BASE: 600 MM  
CUT OUT: 410 X 342 MM R80  
NBM000445X

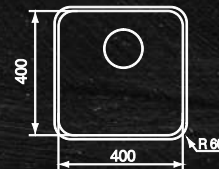


CINZIA



CODE: 01195A

SATIN-FINISHED F3"  
OVERALL SIZE: 400 X 400 X 200 MM  
BASE: 600 MM  
CUT OUT: 400 X 400 MM R60  
NBM000590X

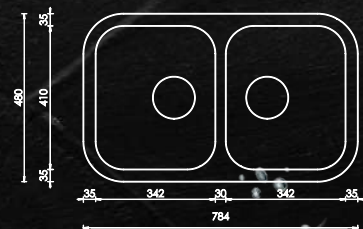


CINZIA



CODE: 01195D

SATIN-FINISHED F3"  
OVERALL SIZE: 784 X 482 X 190 MM  
BASE: 900 MM  
CUT OUT: 734 X 430 MM  
WELDED BOWL  
NBM000910X



# UNDER-MOUNT - SINGLE BOWL



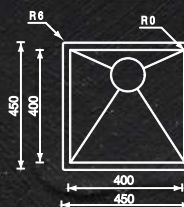
## FILOQUADRA



### CODE: 016911

OVERALL SIZE: 450 X 450 X 190 MM  
 SATIN-FINISHED F3" SLIM/UNDERTOP  
 BASE: 600 MM  
 CUT OUT: 400 X 400 MM  
 BUILT-IN FITTING HOLE : 430 x 430 MM

NBM000900X



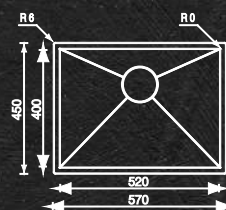
## FILOQUADRA



### CODE: 016918

SATIN-FINISHED F3" SLIM/UNDERTOP  
 OVERALL SIZE 570 X 450 X 190 MM  
 BASE: 800 MM  
 CUT OUT : 520 X 400 MM  
 BUILT- IN FITTING HOLE : 550 x 430 MM

NBM0001145X



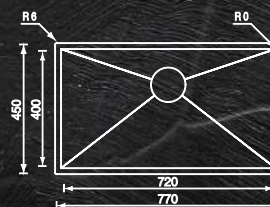
## FILOQUADRA



### CODE: 016916

SATIN-FINISHED F3" SLIM/UNDERTOP  
 OVERALL SIZE 770 X 450 X 190 MM  
 BASE: 900 MM  
 CUT OUT : 720 X 400 MM  
 BUILT- IN FITTING HOLE : 750 x 430 MM

NBM0001390X



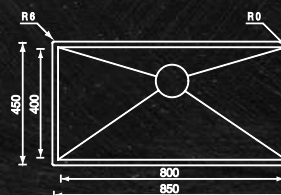
## FILOQUADRA



### CODE: 01191A

SATIN-FINISHED F3" UNDERTOP  
 OVERALL SIZE 850 X 450 X 190 MM  
 BASE: 1000 MM  
 CUT OUT : 800 X 400 MM  
 BUILT- IN FITTING HOLE : 830 X 430 MM

NBM0001550X



## FILOQUADRA

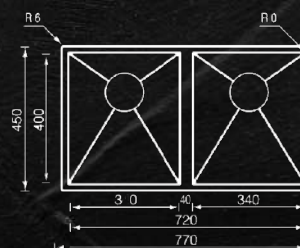


### CODE: 011919

SATIN-FINISHED F3" UNDERTOP  
 SIZE 770 X 450 MM  
 BASE: 900 MM  
 BOWL DEPTH: 190 MM  
 CUT OUT: 720 X 400 MM

WITH AUTOMATIC POP-UP WASTE

NBM0001750X



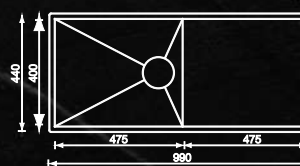
## FILOQUADRA



### CODE: 012921

SATIN-FINISHED F3" UNDERTOP  
 SIZE 990 X 440 MM  
 BASE: 1200 MM  
 BOWL DEPTH: 190 MM  
 CUT OUT: 950 X 400 MM

NBM0001600X









# UNDER-MOUNT - SINGLE BOWL

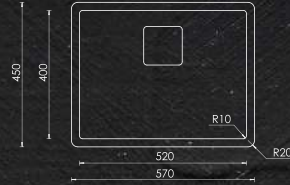
**PYPER**



**CODE: 015306**

SATIN-FINISHED F3' UNDERTOP  
SIZE: 570 X 450 X 250 MM  
BASE: 800 MM  
CUT OUT: 520 X 400 MM R10  
BUILT-IN FITTING HOLE : 550 x 430 MM

NBM0001775X



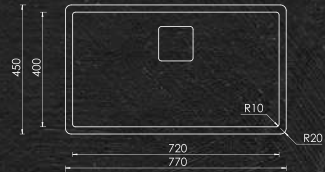
**PYPER**



**CODE: 015308**

SATIN-FINISHED F3' UNDERTOP  
SIZE: 770 X 450 X 250 MM  
BASE: 900 MM  
CUT OUT : 720 x 400 MM R10  
BUILT-IN FITTING HOLE : 750 x 430 MM

NBM0001900X



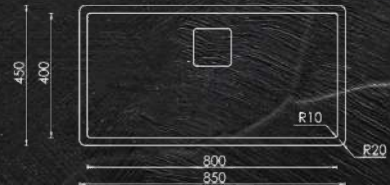
**PYPER**



**CODE: 01530A**

SATIN-FINISHED F3' UNDERTOP  
SIZE: 850 X 450 X 250 MM  
BASE: 1000 MM  
FITTING HOLE: 800 X 400 MM R10

NBM0002100X



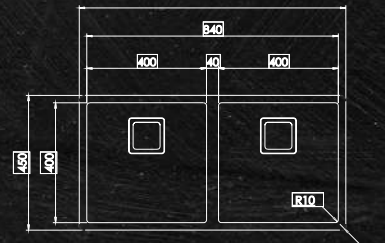
**PYPER**



**CODE: 01530B**

SATIN-FINISHED F3' UNDERTOP  
SIZE: 890X 750 X MM  
BASE: 1000 MM  
CUT OUT: 840 x 400 MM R10  
BUILT-IN FITTING HOLE : 870 x 430 MM

NBM0003200X



## DOUBLE BOWL

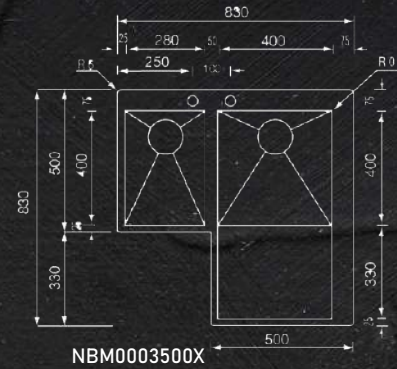


### FILOQUADRA MIX



**CODE: 012968**

SATIN-FINISHED F3° SLIM  
 SIZE: 830 X 830 X 190 MM  
 BASE: 900 MM  
 CUT OUT: 680 X 400 MM



NBM0003500X

### GLAMOUR MIX



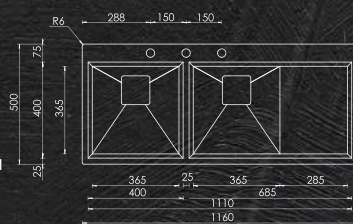
*SYNTHESIS OF ELEGANCE AND FUNCTIONALITY, THE DIFFERENT MODELS OF GLAMOUR RANGLE ALLOW AN EXTREME FLEXIBILITY, WITH THE POSSIBILITY IF CHOOSING BETWEEN SLIM AND UNDERTOP VERSIONS, IT ALL DEPENDS ON YOU FUNCTIONALITY REQUIREMENTS.*

**CODE: 012847**

SATIN-FINISHED F3° SLIM  
 SIZE: 1160 X 500 X 230 MM  
 BASE: 900 MM  
 1200 MM FOR TOP LOWER THAN 50 MM

BUILT-IN FITTING HOLE : 1140 X 480 MM

REVERSIBLE  
 WITH AUTOMATIC POP-UP WASTE



NBM0003300X

OPTIONALS:



092040  
 400 X 400 MM  
 STAINLESS STEEL  
 PERFORATED TRAY  
 NBM000350X



093001  
 380 X 450 MM  
 STAINLESS STEEL  
 BASKET  
 NBM000450X



092037  
 390 X 230 MM  
 STAINLESS STEEL  
 PERFORATED BOWL  
 NBM000645X

### REVERS

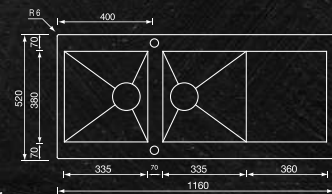


*BUILT-IN SINK SERIES, STAINLESS STEEL AISI 304-18/10, IN LINE WITH THE MOST CURRENT DESIGN TRENDS, REVERS STANDS FOR THE WEALTH OF MODELS AND SOLUTIONS, ABLE TO FURNISH THE KITCHEN IN ORIGINAL AND CREATIVE WAY ALWAYS.*

**CODE: 012987**

SATIN-FINISHED F3° SLIM  
 SIZE: 1160 X 520 X 190 MM  
 BASE: 800 MM  
 900 MM IF AT BEGINNING OF KITCHEN  
 1200 MM FOR TOP LOWER THAN 30 MM

BUILT-IN FITTING HOLE : 1140 X 500 MM  
 REVERSIBLE  
 WITH AUTOMATIC POP-UP WASTE



NBM0002900X

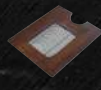
OPTIONALS:



092036  
 335 X 380 MM  
 STAINLESS STEEL  
 PERFORATED TRAY  
 NBM000650X



092037  
 390 X 230 MM  
 STAINLESS STEEL  
 PERFORATED BOWL  
 NBM000645X



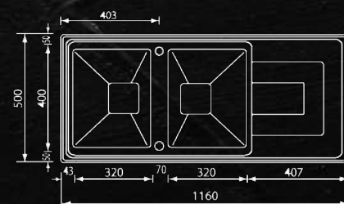
094053  
 IROKO CHOPPING BOARD  
 WITH STAINLESS STEEL  
 GLASS DRAINER  
 NBM000500X

### VESTA



**CODE: 010807**

SATIN-FINISHED F3° SLIM  
 SIZE: 1160 X 500X MM  
 BASE: 900 MM  
 CUT OUT: 680 X 400 MM  
 BUILT-IN FITTING HOLE : 1135 X 475 MM



NBM0002750X

OPTIONALS:



092031  
 STAINLESS STEEL PERFORATED BO  
 mm 410 x 230  
 NBM000680X



092065  
 410x280 h.70  
 STAINLESS STEEL  
 PERFORATED BOWL  
 WITH DRAINING RACK  
 NBM0001000X



092036  
 335 X 380 MM  
 STAINLESS STEEL  
 PERFORATED TRAY  
 NBM000625X

## DOUBLE BOWL - SINGLE DRAIN



### PUNTO QUADRO

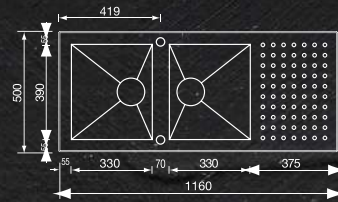


BUILT-IN SINK SERIES. STAINLESS STEEL AISI 304-18/10.  
THE SYNTHESIS BETWEEN TECHNOLOGY AND FUNCTIONALITY:  
THE MOST CURRENT DESIGN IS EXPRESSED IN HARMONIOUS AND  
INNOVATIVE LINES, ESSENTIAL AND PRACTICAL SHAPES.

**CODE: 010907**

SATIN-FINISHED F3" BUILT-IN  
OVER SIZE: 1160 X 500 X 190 MM 2V REV  
BASE: 800 MM  
900 MM IF AT BEGINNING OF KITCHEN

BUILT- IN FITTING HOLE: 1135 x 475 MM  
REVERSIBLE  
WITH AUTOMATIC POP-UP WASTE



NBM0002500X

#### OPTIONALS:



094081  
430 X 300 MM  
SLIDING CHOPPING BOARD  
IN TEMPERED GLASS  
NBM000745X



094073  
330 X 390 MM  
IROKO CHOPPING BOARD  
NBM000550X

### EVOLUZIONE

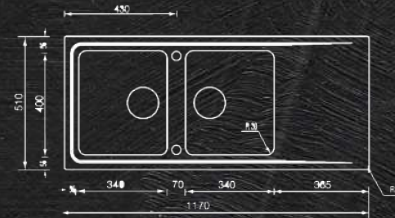


BUILT-IN SINK SERIES. STAINLESS STEEL AISI 304-18/10.  
ELEGANCE, MINIMALISM, AND SIMPLICITY COMBINED WITH A  
BOWL OF 30 MM RADIUS; THESE ARE THE HALLMARKS OF  
EVOLUZIONE.

**CODE: 015007**

SATIN-FINISHED F3" SLIM  
OVER SIZE: 1170 X 510 X 195 MM 2V  
BASE: 800 MM  
900 MM IF AT BEGINNING OF KITCHEN

BUILT- IN FITTING HOLE: 1150 X 490 MM  
REVERSIBLE  
WITH AUTOMATIC POP-UP WASTE



NBM0002100X

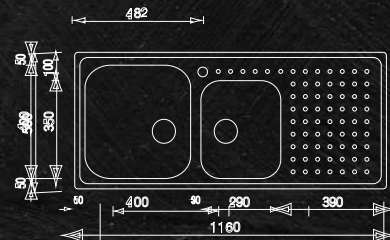
### PUNTOPLUS



**CODE: 011117**

SATIN-FINISHED F3"  
OVER SIZE: 1160 X 500X (210 X 180) MM 2V  
BASE: 800 MM  
900 MM IF AT BEGINNING OF KITCHEN

BUILT- IN FITTING HOLE: 1140 X 480 MM  
REVERSIBLE  
WITH STANDARD WASTE KIT



NBM0001700X

#### OPTIONALS:



094080  
542 X 300 MM  
SLIDING CHOPPING BOARD  
IN TEMPERED GLASS  
NBM000745X



093081  
400 X 400 MM  
STAINLESS STEEL  
DRAINING RACK  
NBM000450X

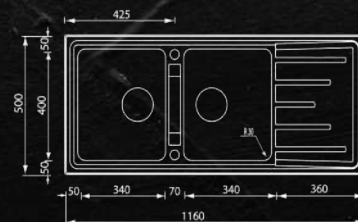
### BRANDO



**CODE: 015107**

SATIN-FINISHED F3"  
OVER SIZE: 1160 X 500 MM 2V REV  
BASE: 800 MM  
900 MM IF AT BEGINNING OF KITCHEN

FITTING HOLE: 1135 X 475 MM  
REVERSIBLE  
WITH STANDARD WASTE KIT



NBM0001500X

## DOUBLE BOWL - SINGLE DRAIN



### CRISTAL

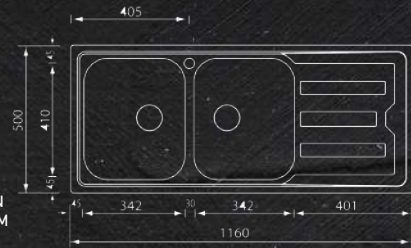


BUILT-IN SINK SERIES. STAINLESS STEEL AISI 304-18/10. THE SOFT CORNERS OF THE BOWLS AND THE PLEASANT DESIGN, WITH CURVED LINES AND DRAINER SHAPED AT SEVERAL LAYERS, CHARACTERIZE CRISTAL. VERSATILE AND IDEAL FOR ANY KIND OF KITCHEN.

**CODE: 010017**

SATIN-FINISHED F3" BUILT-IN  
 OVERALL SIZE: 1160 X 500 X 210 MM 2V  
 BASE: 800 MM  
 900 MM IF AT BEGINNING OF KITCHEN  
 1200 MM FOR TOP LOWER THAN 30 MM

BUILT- IN FITTING HOLE: 11135 x 475 MM  
 REVERSIBLE  
 WITH STANDARD WASTE KIT



NBM0001025X

#### OPTIONALS:



092000  
 342 X 410 MM  
 ABS TRAY  
**NBM000150X**



093080  
 400 X 325 MM  
 STAINLESS STEEL BASKET  
**NBM000450X**

### COMO

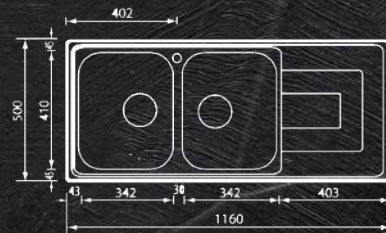


COMO SINKS ARE INSPIRED BY THE CLASSICAL WORLD. OVERALL LOOK AND FINISH ARE EMBELLISHED WITH DECORATIVE ELEMENTS AS THE CASCADING DRAINER.

**CODE: 010147**

SATIN-FINISHED F3" BUILT-IN  
 OVERALL SIZE: 1160 X 500 X 190 MM 2V  
 BASE: 800 MM  
 900 MM IF AT BEGINNING OF KITCHEN  
 1200 MM FOR TOP LOWER THAN 30 MM

BUILT- IN FITTING HOLE: 1135 x 475 MM  
 REVERSIBLE  
 WITH STANDARD WASTE KIT



NBM000900X

### COMETA

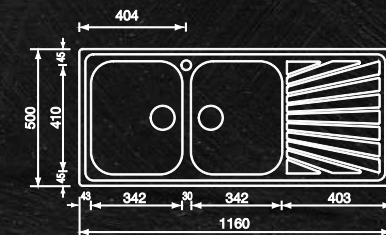


BUILT-IN SINK SERIES. STAINLESS STEEL AISI 304-18/10. THANKS TO THE LARGE BOWL, IT IS IDEAL IN THE MULT-FUNCTIONAL KITCHEN. THANKS TO THE ENTIRETY OF THE RANGE. THANKS TO THE CLASSIC LINE WITH THE TIMELESS CHARM.

**CODE: 011447**

SATIN-FINISHED F3"  
 OVERALL SIZE: 116 X 50 CM  
 BASE: 800 MM  
 900 MM IF AT BEGINNING OF KITCHEN  
 190 MM

BOWL DEPTH: 190 MM  
 BUILT- IN FITTING HOLE: 1135 x 475 MM  
 REVERSIBLE  
 WITH STANDARD WASTE KI



NBM000850X

#### OPTIONALS:



093080  
 400 X 325 MM  
 STAINLESS STEEL BASKET  
**NBM000450X**



094020  
 50 MM DEPTH  
 SLIDING IROKO  
 CHOPPING BOARD  
**NBM000500X**

### PIZZICA

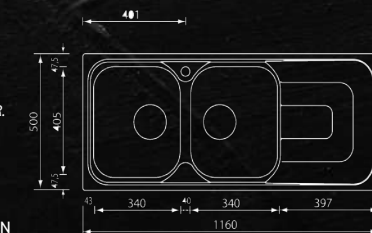


BUILT-IN SINK SERIES. STAINLESS STEEL AISI 304-18/10 MONOSTAMPED. CM SINKS ARE ALWAYS BORN TO CONSIDER THE PRACTICALITY OF ITS SINKS TO ITS USERS. PIZZICA ENHANCES THE MAXIMUM SPACE BY REMOVING THE WELDINGS AND ADDING THE WALLS OF THE BOWLS IN A VERTICAL MANNER.

**CODE: 011347**

SATIN-FINISHED F3"  
 OVERALL SIZE: 1160 X 500 X 170 MM  
 BASE: 800 MM  
 900 MM IF AT BEGINNING OF KITCHEN

BUILT- IN FITTING HOLE: 1135 x 475 MM  
 REVERSIBLE  
 WITH STANDARD WASTE KIT



NBM000635X

# DOUBLE BOWL - SINGLE DRAIN



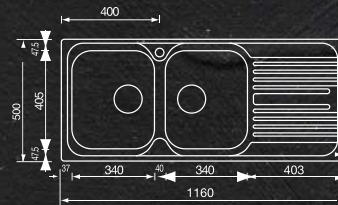
## ATLANTIC



BUILT-IN SINK SERIES. STAINLESS STEEL AISI 304-18/10 MONOSTAMPED. SINKS BUILT WITH EXCLUSIVE NEW CONCEPTION TECHNOLOGY. WITHOUT WELDS AND GRINDINGS ON BOWLS, WITH COMPLETELY VERTICAL SURFACES. THEY GAIN DEPTH.

**CODE: 010557**

UNBRUSHED F3\*  
 OVERALL SIZE: 1160 X 500 X 170 MM  
 BASE: 800 MM  
 900 MM IF AT BEGINNING OF KITCHEN  
 BOWL DEPTH: 170 MM  
 FITTING HOLE: 1135 x 475 MM  
 REVERSIBLE  
 WITH STANDARD WASTE KIT



NBM000575X

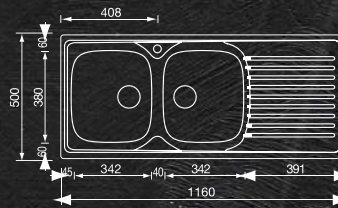
## SIROS



BUILT-IN SINK SERIES. STAINLESS STEEL AISI 304-18/10 MONOSTAMPED. SOFT AND SIMPLE LINES, EXTRAORDINARY VERSATILITY: A WHOLE DESIGN TO MATCH HARMONICALLY TO A WIDE RANGE OF STYLES.

**CODE: 010447**

SATIN F3\*  
 OVERALL SIZE: 116 X 50 CM  
 BASE: 800 MM  
 900 MM IF AT BEGINNING OF KITCHEN  
 BOWL DEPTH: 160 MM  
 FITTING HOLE: 1135 x 475MM  
 REVERSIBLE  
 WITH STANDARD WASTE KIT



NBM000495X SATIN F3\*

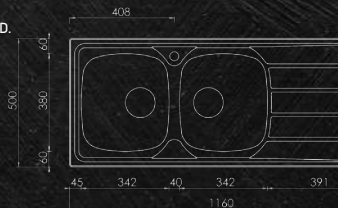
## UNIVERSAL



BUILT-IN SINK SERIES. STAINLESS STEEL AISI 304-18/10 MONOSTAMPED. HERE'S THE SINK THAT FITS INTO ANY WORKSPACE.

**CODE: 015457, 015427**

SATIN-FINISHED F3\*  
 SIZE: 116 X 50 CM  
 BASE: 800 MM  
 900 MM IF AT BEGINNING OF KITCHEN  
 BOWL DEPTH: 170 MM, 180 MM  
 FITTING HOLE: 1140 X 480 MM  
 REVERSIBLE  
 WITH STANDARD WASTE KIT



015457 NBM000450X UNBRUSHED F3\*, 170 MM  
 015427 NBM000500X UNBRUSHED F3\*, 180 MM

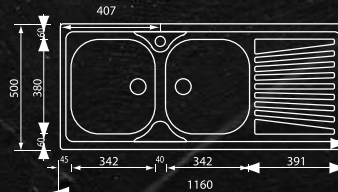
## MONDIAL



BUILT-IN SINK SERIES. STAINLESS STEEL AISI 304-18/10 MONOSTAMPED. THE PURE AND SIMPLE DESIGN THAT FITS INTO ALL TYPES OF FURNISHING.

**CODE: 011507**

UNBRUSHED F2\*, SATIN F3\*  
 OVERALL SIZE: 1160 X 500 X 150 MM  
 BASE: 800 MM  
 900 MM IF AT BEGINNING OF KITCHEN  
 FITTING HOLE: 1135 x 475 MM  
 REVERSIBLE  
 WITH STANDARD WASTE KIT



NBM000350X UNBRUSHED F2\*



# 1.5 BOWL SINGLE DRAIN



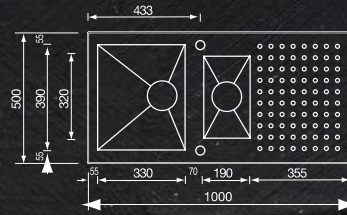
## QUADRO



**CODE: 010905**

SATIN-FINISHED F3" BUILT-IN  
OVERALL SIZE: 1000 X 500 X (190 , 130 ) MM  
BASE: 800 MM

BUILT- IN FITTING HOLE: 975 x 475MM  
REVERSIBLE  
WITH AUTOMATIC POP-UP WASTE KIT



NBM000200X

### OPTIONALS:



092032  
400 X 230 MM  
STAINLESS STEEL  
PERFORATED BOWL  
NBM000445X

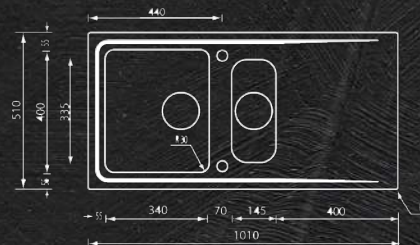
## EVOLUZIONE



**CODE: 010906**

SATIN-FINISHED F3" BUILT-IN  
OVERALL SIZE: 1000 X 500 X (195 - 130 ) MM  
BASE: 800 MM

BUILT- IN FITTING HOLE: 990 x 490 MM  
REVERSIBLE  
WITH AUTOMATIC POP-UP WASTE KIT



NBM0001600X

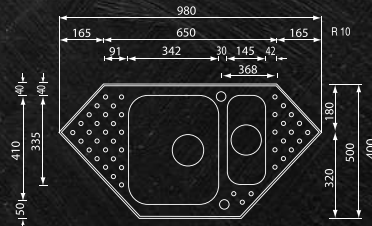
## PUNTO PLUS



**CODE: 011102**

SATIN-FINISHED F3"  
OVERALL SIZE: 980 X 500 X (190 , 130 ) MM  
BASE: 600 MM  
900 MM IF AT BEGINNING OF KITCHEN

FITTING HOLE: SEE DIAGRAM  
REVERSIBLE  
WITH AUTOMATIC WASTE KIT



NBM0001300X

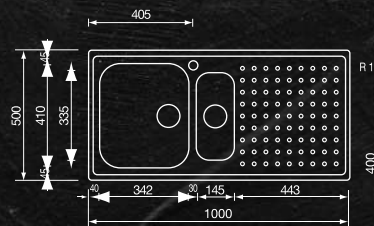
## PUNTO PLUS



**CODE: 011105**

SATIN-FINISHED F3" BUILT-IN  
OVERALL SIZE: 1000 X 500 X (200 - 130 ) CM  
BASE: 600 MM  
800 MM IF AT BEGINNING OF KITCHEN  
1200 MM FOR TOP LOWER 30 MM

BUILT- IN FITTING HOLE: 980 x 480 MM  
REVERSIBLE  
WITH STANDARD WASTE KIT



NBM0001100X

### OPTIONALS:



093041  
335 X 145 MM  
STAINLESS STEEL  
BASKET  
NBM000350X



094080  
542 X 300 MM  
SLIDING CHOPPING BOARD  
IN TEMPERED GLASS  
NBM000745X

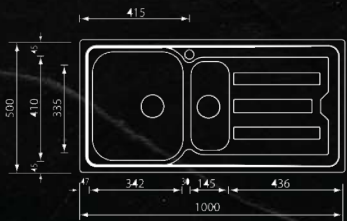
## CRISTAL



**CODE: 010015**

SATIN-FINISHED F3" BUILT-IN  
OVERALL SIZE: 1000 X 500 (210 - 130 ) MM  
BASE: 600 MM  
800 MM IF AT BEGINNING OF KITCHEN  
1200 FOR TOP LOWER THAN 30 MM

BUILT- IN FITTING HOLE: 975 x 475 MM  
REVERSIBLE  
WITH STANDARD WASTE KIT



NBM0001000X



# 1.5 BOWL SINGLE DRAIN



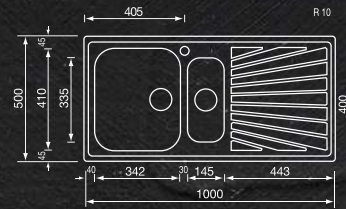
## COMETA



**CODE: 011445**

SIZE: 1000 X 500 X (190 , 130) MM  
 BASE: 600 MM  
 800 MM IF AT BEGINNING OF KITCHEN

BUILT- IN FITTING HOLE: 980 X 480 MM  
 REVERSIBLE  
 WITH STANDARD WASTE KIT



**NBM000800X**

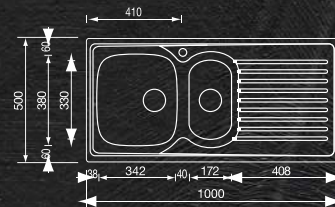
## SIROS



**CODE: 010455**

UNBRUSHED F3\*  
 SIZE: 1000 X 500 X (160,100 ) MM  
 BASE: 600 MM  
 800 MM IF AT BEGINNING OF KITCHEN

BUILT- IN FITTING HOLE: 980 X 480 MM  
 REVERSIBLE  
 WITH STANDARD WASTE KIT



**NBM000550X**

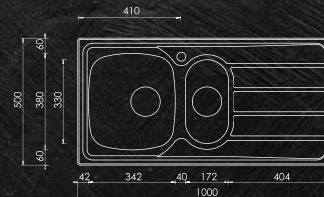
## UNIVERSAL



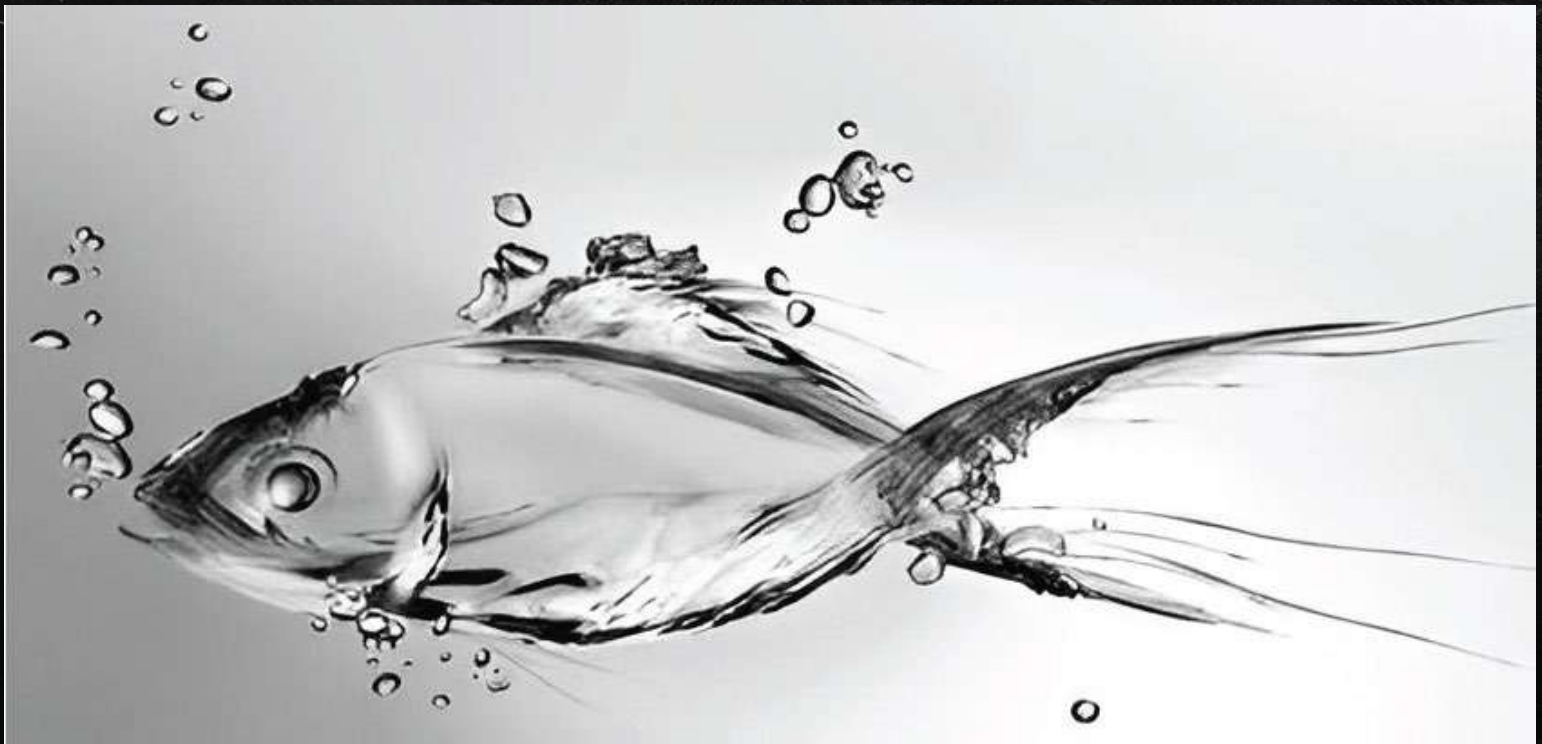
**CODE: 015455**

SATIN-FINISHED F3\*  
 SIZE: 1000 X 500 X (160 / 100) MM  
 BASE: 600 MM  
 800 MM IF AT BEGINNING OF KITCHEN

FITTING HOLE: 980 X 480 MM  
 REVERSIBLE  
 WITH STANDARD WASTE KIT



**NBM000450X**



TOP-MOUNT - COLORED



**ANTHEA RADIUS**

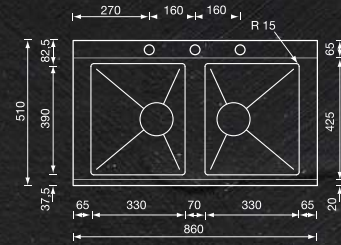


**CODE: 012974**

OVERALL SIZE: 860 X 510 X 190 MM  
 BASE: 800 MM  
 900 MM IF AT BEGINNING OF KITCHEN

BUILT-IN FITTING HOLE: 840 X 490 MM  
 WITH TWO GLASS BOWL COVERS  
 WITH AUTOMATIC POP-UP WASTE

BLACK GLASS COVER  
 INCLUDED



NBM0003575X



OPTIONALS:



093100  
 330 X 390 MM  
 STAINLESS STEEL  
 BASKET  
 NBM000450X



094064  
 SLIDING IROKO  
 PE CHOPPING BOARD  
 NBM000650X

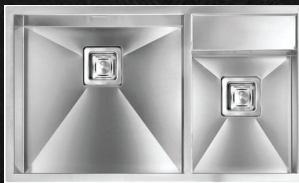


094062  
 SLIDING IROKO  
 CHOPPING BOARD  
 NBM000350X



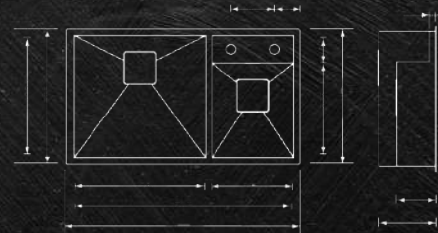
092039  
 330 X 390 MM  
 INOX CONTAINER  
 NBM000650X

**ARIEL**



**CODE: 012914**

SATIN-FINISHED F3" BUILT-IN  
 OVERALL SIZE: 860 X 500 X 190 MM  
 UNDERTOP BASE: 900 MM  
 CUT OUT: 810 x 450 MM  
 BUILT-IN FITTING HOLE: 840 x 480 MM  
 WITHOUT PRE-INSTALLED SEALING  
 WITH MANUAL WASTE KIT



NBM0002800X

OPTIONALS:



093001  
 380 X 450 MM  
 STAINLESS STEEL BASKET  
 NBM000450X



092042  
 310 X 310 MM  
 STAINLESS STEEL  
 PERFORATED BOWL  
 NBM000650X

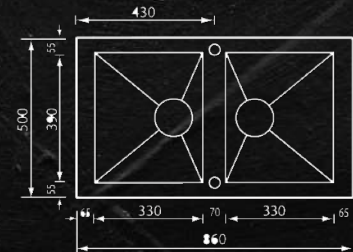
**P.QUADRO**



**CODE: 010904**

SATIN-FINISHED F3" SLIM  
 OVERALL SIZE: 860 X 500 X 190 MM  
 BASE: 800 MM  
 900 MM IF AT BEGINNING OF KITCHEN

BUILT-IN FITTING HOLE: 835 x 475MM



NBM0002200X

OPTIONALS:



094073  
 330 X 390 MM  
 IROKO CHOPPING BOARD  
 NBM000550X



093100  
 330 X 390 MM  
 STAINLESS STEEL  
 BASKET  
 NBM000450X

# TOP MOUNT DOUBLE BOWL



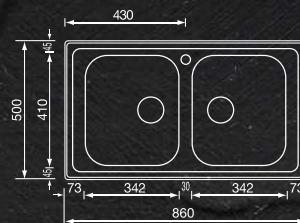
## COMETA



**CODE: 011444**

SATIN-FINISHED F3'  
 OVER SIZE 860 X 500 X 190 MM  
 BASE: 800 MM  
 900 MM IF AT BEGINNING OF KITCHEN

BUILT-IN FITTING HOLE: 835 x 475 MM



NBM000795X

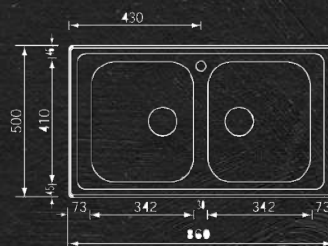
## SIROS



**CODE: 010444**

SATIN-FINISHED F3'  
 OVER SIZE 860 X 500 X 190 MM  
 BASE: 800 MM  
 900 MM IF AT BEGINNING OF KITCHEN

BUILT-IN FITTING HOLE: 835 x 475 MM



NBM000475X

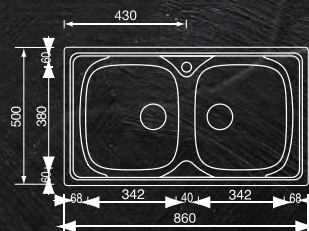
## UNIVERSAL



**CODE: 015454**

SATIN-FINISHED F3'  
 OVER SIZE 860 X 500 X 160 MM  
 BASE: 800 MM  
 900 MM IF AT BEGINNING OF KITCHEN

FITTING HOLE: 840 X 480 MM



NBM000425X





TOP MOUNT SINGLE BOWL - SINGLE DRAIN



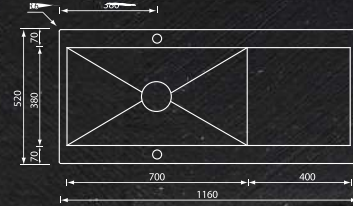
REVERS



CODE: 012989

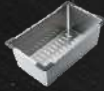
SATIN-FINISHED F3" SLIM  
OVER SIZE ALL : 1160 X 520 X 190 MM  
BASE: 800 MM  
900 MM IF AT BEGINNING OF KITCHEN

BUILT- IN FITTING HOLE: 1140 X 500 MM  
REVERSIBLE  
WITH AUTOMATIC POP-UP WASTE



NBM0002750X

OPTIONALS:



092037  
390 X 230 MM  
STAINLESS STEEL  
NBM000645X



094051  
335 X 380 MM  
IROKO CHOPPING BOARD  
NBM000507X

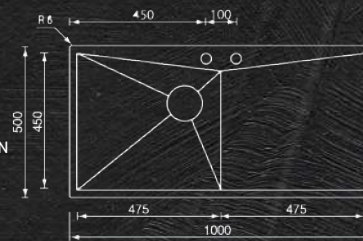
SPACE



CODE: 012866

SATIN-FINISHED F3" SLIM  
OVER SIZE ALL : 1000 X 500 X 190 MM  
BASE 1 : 600 /800 MM IF AT BEGINNING OF KITCHEN  
BASE 2 : 1200 MM FOR TOP LOWER THAN 30 MM

BUILT- IN FITTING HOLE: 1140 X 500 MM  
REVERSIBLE  
WITH AUTOMATIC POP-UP WASTE



NBM0002400X

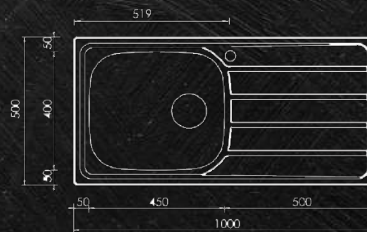
UNIVERSAL



CODE: 015446

UNBRUSHED F3"  
OVER SIZE ALL : 1000 X 500 X 170 MM  
BASE: 600 MM

BUILT- IN FITTING HOLE: 975 x 475 MM  
REVERSIBLE  
WITH STANDARD WASTE KIT



NBM000545X

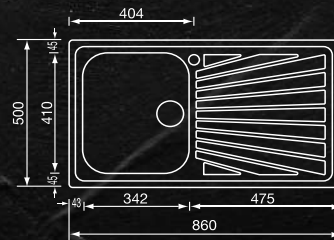
COMETA



CODE: 011443

SATIN-FINISHED F3"  
OVER SIZE ALL: 860 X 500 X 190 MM  
BASE: 450 MM  
500 MM IF AT BEGINNING OF KITCHEN

BUILT- IN FITTING HOLE: 835 x 475 MM  
REVERSIBLE  
WITH STANDARD WASTE KIT



NBM000625X

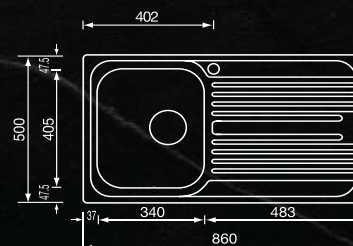
ATLANTIC



CODE: 010543

SATIN-FINISHED F3"  
SIZE: 860 X 500 X 170 CM  
BASE: 450 MM  
500 MM IF AT BEGINNING OF KITCHEN

BUILT- IN FITTING HOLE: 835 x 475MM  
REVERSIBLE  
WITH STANDARD WASTE KIT



NBM000495X

# SINGLE BOWL - SINGLE DRAIN



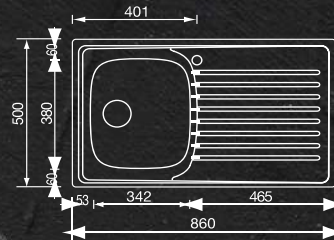
## SIROS



**CODE: 010443**

OVERALL SIZE: 860 X 500 X 160 MM  
BASE: 450 MM

CUT OUT: 835 x 475 MM  
WITH STANDARD WASTE KIT  
REVERSIBLE



NBM000400X

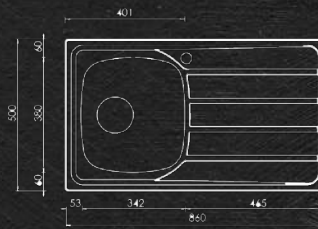
## UNIVERSAL



**CODE: 015453**

UNBRUSHED F3\*  
OVERALL SIZE: 860 X 500 X 170 MM  
BASE: 450 MM

CUT OUT: 835 x 475MM  
REVERSIBLE  
WITH STANDARD WASTE KIT



NBM000310X





# SINGLE BOWL



## ANTHEA

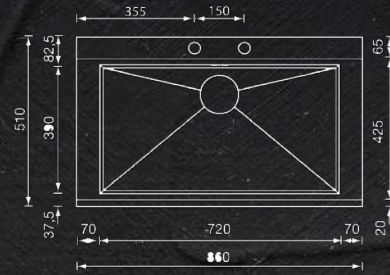


**CODE: 012992**

SATIN-FINISHED F3" BUILT-IN  
 OVERALL SIZE: 860 X 510 X 190 MM  
 BASE: 800 MM  
 900 MM IF AT BEGINNING OF KITCHEN

BUILT-IN FITTING HOLE: 840 x 490 MM  
 EDGE: 10 MM  
 WITH AUTOMATIC POP-UP WASTE  
 WITH TWO GLASS BOWL COVERS

BLACK GLASS COVER  
 INCLUDED



NBM0003450X



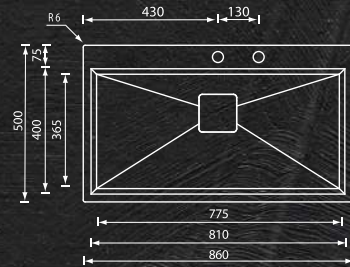
## GLAMOUR MIX



**CODE: 012824**

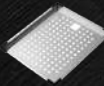
SATIN-FINISHED F3" SLIM  
 OVERALL SIZE: 860 X 500 X 190 MM  
 BASE: 900 MM

BUILT-IN FITTING HOLE: 840 X 480 MM  
 WITH AUTOMATIC POP-UP WASTE

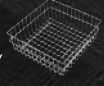


NBM0002100X

OPTIONALS:



092040  
 400 X 400 MM  
 STAINLESS STEEL  
 PERFORATED TRAY  
 NBM000350X

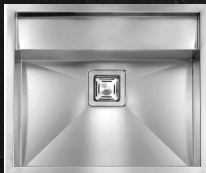


093001  
 380 X 450 MM  
 STAINLESS STEEL BASKET  
 NBM000450X



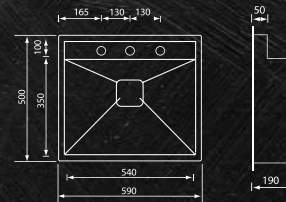
092037  
 390 X 230 MM  
 STAINLESS STEEL  
 PERFORATED BOWL  
 NBM000445X

## ARIEL



**CODE: 012902**

SATIN-FINISHED F3" UNDERTOP  
 OVERALL SIZE: 590 X 500 MM  
 BASE: 800 MM  
 CUT OUT: 540 x 450 MM  
 BUILT-IN FITTING HOLE: 570 x 480 MM  
 WITH AUTOMATIC POP-UP WASTE



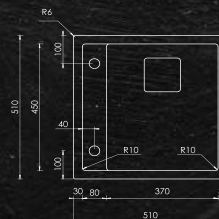
NBM0001900X

## CALYPSO



**CODE: 015610**

SATIN-FINISHED F3" UNDERTOP  
 OVERALL SIZE: 510 X 510 MM  
 BASE: 600 MM  
 CUT OUT: 450 x 450 MM R10  
 BUILT-IN FITTING HOLE: 480 x 480 MM  
 WITH AUTOMATIC POP-UP WASTE KIT



NBM0001700X

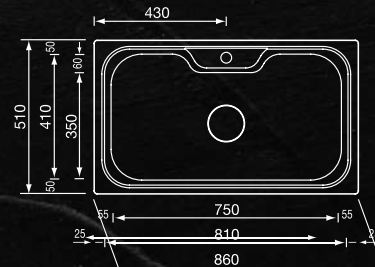
## EUREKA



**CODE: 011733**

SATIN-FINISHED F3"  
 OVERALL SIZE: 860 X 510 X 220 MM  
 BASE: 800 MM  
 900 MM IF AT BEGINNING OF KITCHEN

BUILT-IN FITTING HOLE: 840 X 490 MM



NBM0001075X

OPTIONALS:



092012  
 440 X 305 MM  
 PPMA WATER  
 ECONOMIZER  
 NBM000600X



093083  
 375 X 385 MM  
 STAINLESS STEEL  
 BASKET  
 NBM000450X



094064  
 510 MM DEPTH  
 SLIDING IROKO  
 PERFORATED BOWL  
 NBM000775X



094089  
 460 X 455 MM  
 IROKO  
 CHOPPING BOARD  
 WITH STAINLESS  
 STEEL PERFORATED  
 NBM000650X



094076  
 465 X 465 MM  
 IROKO  
 CHOPPING BOARD  
 NBM000350X



TOP MOUNT



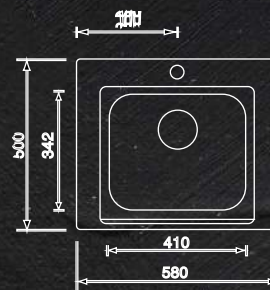
CINZIA



CODE: 011945

SATIN-FINISHED F3"  
OVER SIZE: 580 X 500 X 180 MM  
BASE: 600 MM  
CUT OUT : 550 X 470 MM

NBM000575X



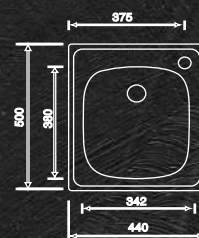
CINZIA



CODE: 011934

OVER SIZE: 440 X 500 X 160 MM  
BASE: 450 MM  
CUT OUT : 410 X 470MM

NBM000245X



# LAY-ON



## L1100

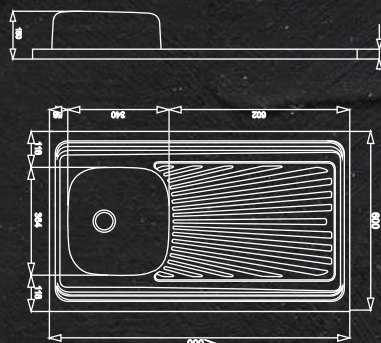


### CODE: L1100

WITH WASTE FITTINGS AND BOTTLETRAP  
SATIN-FINISHED F3° SLIM  
OVERALL SIZE: 1000 X 600 X 150 MM

INCLUDES WOODEN FRAME

NBM000250X



## ROSASANA 2V LEFT/RIGHT

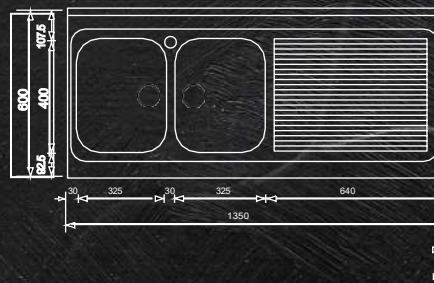


### CODE: 031137

WITH WASTE FITTINGS AND BOTTLETRAP  
SATIN-FINISHED F3° SLIM  
OVERALL SIZE : 1200 X 600 X MM

INCLUDES WOODEN FRAME

NBM0001070X



## ROSSANA 2V LEFT/RIGHT

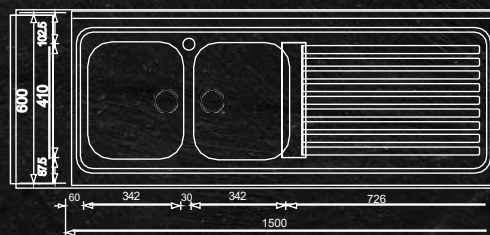


### CODE: 031149

WITH WASTE FITTINGS AND BOTTLETRAP  
SATIN-FINISHED F3° SLIM  
OVERALL SIZE : 1500X 600 X MM

INCLUDES WOODEN FRAME

NBM0001375X



S

I

N

ELITE

K

S



UNDER-MOUNT SINK - STAINLESS STEEL



**SK40**



**CODE : 2341040013S**

MATERIAL: STAINLESS STEEL  
SINGLE BOWL UNDER-MOUNT  
OVERALL SIZE : 400 X 400 X 190 MM  
THICKNESS: 0.8 MM  
CUT-OUT: 360 X 360 MM  
RADIUS: 10  
NBM000325X

**SK50**



**CODE : 2341045014S**

MATERIAL: STAINLESS STEEL  
SINGLE BOWL UNDER-MOUNT  
OVERALL SIZE : 400 X 450 X 190 MM  
THICKNESS: 0.8 MM  
CUT-OUT: 360 X 360 MM  
RADIUS: 10  
NBM000350X

**7743D**



**CODE : 2352077007S**

MATERIAL: STAINLESS STEEL  
GRADE 304  
OVERALL SIZE: 775X430X200 MM  
THICKNESS: 1.0 MM  
DOUBLE BOWL UNDER-MOUNT  
BOWL SIZE : 350 x 390MM  
CUT OUT : 725 x 385MM (U)  
RADIUS: 10  
NBM000475X

**LH4544**



**CODE : 2351045072S**

MATERIAL: STAINLESS STEEL  
SINGLE BOWL UNDER-MOUNT  
OVERALL SIZE: 450 X 440 X 220 MM  
THICKNESS: 3.0 X 0.6 MM  
BOWL SIZE : 400 X 390 MM  
CUT-OUT: 395 X 385 MM (U)  
RADIUS: 10  
NBM000460X

**LH5744SS**



**CODE : 2351057073S**

MATERIAL: STAINLESS STEEL  
SINGLE BOWL UNDER-MOUNT  
OVERALL SIZE: 570 X 440 X 220 MM  
THICKNESS: 3.0 X 0.6 MM  
BOWL SIZE : 520 X 390 MM  
CUT-OUT: 511 X 385 MM (U)  
RADIUS: 10  
NBM000490X

**LHD7744SS**



**CODE : 2342077070S**

MATERIAL: STAINLESS STEEL  
DOUBLE BOWL UNDER-MOUNT  
OVERALL SIZE: 770 X 440 X 254 MM  
THICKNESS: 1 MM  
BOWL SIZE: 350X 390/ 350 X 390 MM  
CUT-OUT: 715X 385 MM (U)  
RADIUS: 10  
NBM000795X

**LHD8644SS**



**CODE : 2352086074S**

MATERIAL: STAINLESS STEEL  
DOUBLE BOWL UNDER-MOUNT  
OVERALL SIZE: 860 X 440 X 220 MM  
THICKNESS: 3.0 + 0.6 MM  
BOWL SIZE : 390 X 390/ 390 X 390 MM  
CUT-OUT: 800 X 385 MM (U)  
RADIUS: 10  
NBM000825X

# UNDER-MOUNT SINK - STAINLESS STEEL

**ELITE**

ITALIAN DESIGN

## HM2345SS



**CODE : 2341023067S**

MATERIAL: STAINLESS STEEL  
SINGLE BOWL UNDER-MOUNT  
OVERALL SIZE: 230X450X130 MM  
THICKNESS: 3.0 + 0.6 MM  
CUT-OUT: 190 X 400 MM  
RADIUS: 10

NBM000430X

## HMB644 SS



**CODE : 2351086023S**

MATERIAL: STAINLESS STEEL  
DOUBLE BOWL UNDER-MOUNT  
OVERALL SIZE: 860X 440 X 220 MM  
THICKNESS: 3.0 + 0.6MM  
BOWL SIZE : 810 X 390 MM  
CUT-OUT: 800 X 385 MM (U)  
RADIUS: 10

NBM000850X

## HM3744 SS



**CODE : 2341037068S**

MATERIAL: STAINLESS STEEL  
SINGLE BOWL UNDER-MOUNT  
OVERALL SIZE: 370X440x220 MM  
THICKNESS: 3.0 + 0.6 MM  
BOWL SIZE : 320 X 390 MM  
CUT-OUT: 310 X 380 MM(U)  
RADIUS: 10

NBM000450X

## HMD5844



**CODE : 2342058066S**

MATERIAL: STAINLESS STEEL  
DOUBLE BOWL UNDER-MOUNT  
OVERALL SIZE: 580X440X200 MM  
THICKNESS: 3.0 X 0.6 MM  
CUT-OUT: 520 X 390 MM (U)  
RADIUS: 10

NBM000750X

## HMA344 SS



**CODE : 2351045020S**

MATERIAL: STAINLESS STEEL  
SINGLE BOWL UNDER-MOUNT  
OVERALL SIZE: 450 X 440 X 220 MM  
THICKNESS: 3.0 X 0.6 MM  
BOWL SIZE : 395X 385 MM  
CUT-OUT: 395 X 385 MM (U)  
RADIUS: 10

NBM000495X

## HMH7744



**CODE : 2342077075S**

MATERIAL: STAINLESS STEEL  
DOUBLE BOWL UNDER-MOUNT  
OVERALL SIZE: 770X440X200 MM  
THICKNESS: 1 MM  
CUT-OUT: 715 X 385 MM (U)  
RADIUS: 10

NBM000795X

## HM5744 SS



**CODE : 2351057021S**

MATERIAL: STAINLESS STEEL  
SINGLE BOWL UNDER-MOUNT  
OVERALL SIZE: 570 X 440 X 220 MM  
THICKNESS: 3.0 X 0.6 MM  
BOWL SIZE : 515 X 385 MM  
CUT-OUT: 511 X 385 MM (U)  
RADIUS: 10

NBM000525X

## HMD7744



**CODE : 2352077024S**

MATERIAL: STAINLESS STEEL  
DOUBLE BOWL UNDER-MOUNT  
OVERALL SIZE: 770 X 440 X 220 MM  
THICKNESS: 1 MM  
BOWL SIZE: 350X 390/ 350 X 390 MM  
CUT-OUT: 715X 385 MM (U)  
RADIUS: 10

NBM000925X

## HM7744 SS



**CODE : 2351077022S**

MATERIAL: STAINLESS STEEL  
SINGLE BOWL UNDER-MOUNT  
OVERALL SIZE: 770 X 440 X 220 MM  
THICKNESS: 3.0 X 0.6 MM  
BOWL SIZE : 715 X 385 MM  
CUT-OUT: 715 X 380 MM (U)  
RADIUS: 10

NBM000750X

## HMD8644



**CODE : 2352086025S**

MATERIAL: STAINLESS STEEL  
DOUBLE BOWL UNDER-MOUNT  
OVERALL SIZE: 860 X 440 X 220 MM  
THICKNESS: 3.0 + 0.6 MM  
BOWL SIZE : 390 X 390/ 390 X 390 MM  
CUT-OUT: 800 X 385 MM (U)  
RADIUS: 10

NBM000975X



UNDER-MOUNT PVD - BLACK

**HM4544B**



**CODE : 2351045034B**

MATERIAL: STAINLESS STEEL  
SINGLE BOWL UNDER-MOUNT  
OVERALL SIZE: 450X440x220 MM R10  
THICKNESS: 3.0 + 0.6 MM  
CUT-OUT: 400 X 390 MM  
RADIUS 10

**NBM000800X**

**HM5744B**



**CODE : 2351057035B**

MATERIAL: STAINLESS STEEL  
SINGLE BOWL UNDER-MOUNT  
OVERALL SIZE: 570 X 440 X 220 MM R10  
THICKNESS: 3.0 + 0.6 MM  
CUT-OUT: 520 X 390 MM  
RADIUS: 10

**NBM000850X**

**HM7744B**



**CODE : 2351077036B**

MATERIAL: STAINLESS STEEL  
SINGLE BOWL UNDER-MOUNT  
OVERALL SIZE: 770 X 440 X 220 MM R10  
THICKNESS: 3.0 + 0.6 MM  
CUT-OUT: 715 X 385 MM  
RADIUS: 10

**NBM000975X**

OPTIONALS:



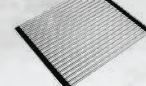
NBM000195X



NBM000350X

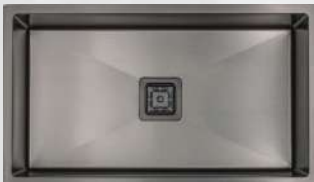


NBM000195X



NBM00075X

**HM8644B**



**CODE : 2351086037B**

MATERIAL: STAINLESS STEEL  
SINGLE BOWL UNDER-MOUNT  
OVERALL SIZE: 860 X 440 X 220 MM  
THICKNESS: 3.0 + 0.6 MM  
CUT-OUT: 800 X 385 MM  
RADIUS: 10

**NBM0001095X**

OPTIONALS:



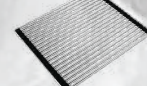
NBM000195X



NBM000350X



NBM000195X



NBM00075X

**HMD7744B**

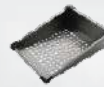


**CODE : 2352077038B**

MATERIAL: STAINLESS STEEL  
DOUBLE BOWL UNDER-MOUNT  
OVERALL SIZE: 770 X 440 X 220 MM  
CUT-OUT: 715 X 385 MM  
RADIUS : 10

**NBM0001300X**

OPTIONALS:



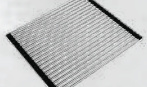
NBM000195X



NBM000350X



NBM000195X



NBM00075X

**HMD8644B**



**CODE : 2352086039B**

MATERIAL: STAINLESS STEEL  
SINGLE BOWL UNDER-MOUNT  
OVERALL SIZE: 860 X 440 X 220 MM  
THICKNESS: 3.0 + 0.6 MM  
CUT-OUT: 800 X 385 MM  
RADIUS : 10

**NBM0001500X**

OPTIONALS:



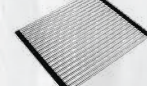
NBM000195X



NBM000350X



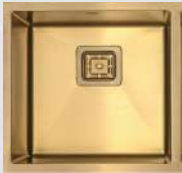
NBM000195X



NBM00075X

UNDER-MOUNT PVD COLORED - GOLD & COPPER

**HM4544G**



**CODE : 2351045048G**

MATERIAL: STAINLESS STEEL  
SINGLE BOWL UNDER-MOUNT  
OVERALL SIZE: 450 X 440 X 220 MM  
THICKNESS: 1.0 + 3.0 MM  
CUT-OUT: 395 X 385 MM  
RADUIS : 10

**NBM000900X**

**HM5744G**



**CODE : 2351045049G**

MATERIAL: STAINLESS STEEL  
SINGLE BOWL UNDER-MOUNT  
OVERALL SIZE: 570 X 440 X 220 MM  
THICKNESS: 1.0 + 3.0 MM  
CUT-OUT: 515 X 385 MM  
RADUIS : 10

**NBM000950X**

**HM7744G**



**CODE : 2351077050G**

MATERIAL: STAINLESS STEEL  
SINGLE BOWL UNDER-MOUNT  
OVERALL SIZE: 770 X 440 X 220 MM  
THICKNESS: 1.0 + 3.0 MM  
CUT-OUT: 715 X 385 MM  
RADUIS : 10

**NBM0001075X**

**HMD7744G**



**CODE : 2352077051G**

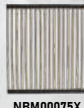
MATERIAL: STAINLESS STEEL  
DOUBLE BOWL UNDER-MOUNT  
OVERALL SIZE: 770 X 440 X 220 MM  
THICKNESS: 1.0 + 3.0 MM  
CUT-OUT: 715 X 385 MM  
RADUIS : 10

**NBM0001400X**

OPTIONALS:



**NBM000350X**



**NBM00075X**



**NBM000195X**

OVERALL SIZE :  
400 X 250 X 100 MM



OVERALL SIZE :  
400 X 250 X 90 MM  
**NBM000195X**

**HM8644G**



**CODE : 2352086051G**

MATERIAL: STAINLESS STEEL  
DOUBLE BOWL UNDER-MOUNT  
OVERALL SIZE: 860 X 440 X 220 MM  
THICKNESS: 1.0 + 3.0 MM  
CUT-OUT: 800 X 385 MM  
RADUIS : 10

**NBM0001125X**

**HMD8644G**



**CODE : 2352086071G**

MATERIAL: STAINLESS STEEL  
DOUBLE BOWL UNDER-MOUNT  
OVERALL SIZE: 860 X 440 X 220 MM  
THICKNESS: 1.0 + 3.0 MM  
CUT-OUT: 800 X 385 MM  
RADUIS : 10

**NBM0001600X**

OPTIONALS:



**NBM000350X**



**NBM00075X**



**NBM000195X**

OVERALL SIZE :  
400 X 250 X 100 MM



OVERALL SIZE :  
400 X 250 X 90 MM  
**NBM000195X**

**HM4544C**

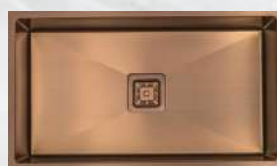


**CODE : 2351045045C**

MATERIAL: STAINLESS STEEL  
SINGLE BOWL UNDER-MOUNT  
OVERALL SIZE: 450 X 440 X 220 MM  
THICKNESS : 10 MM  
CUT-OUT: 395 X 385 MM  
RADUIS : 10

**NBM000900X**

**HM7744C**



**CODE : 2351077046C**

MATERIAL: STAINLESS STEEL  
SINGLE BOWL UNDER-MOUNT  
OVERALL SIZE: 770 X 440 X 220 MM  
THICKNESS: 1.0 + 3.0 MM  
CUT-OUT: 715 X 385 MM  
RADUIS : 10

**NBM0001075X**

**HMD7744C**



**CODE : 2352077047C**

MATERIAL: STAINLESS STEEL  
DOUBLE BOWL UNDER-MOUNT  
OVERALL SIZE: 770 X 440 X 220 MM  
THICKNESS: 1.0 + 3.0 MM  
CUT-OUT: 715 X 385MM  
RADUIS : 10

**NBM0001400X**



# APRON SINK



## JAMBO DB12060

CODE : 23420120054

MATERIAL: STAINLESS STEEL  
 DOUBLE BOWL  
 TOP MOUNT  
 OVER ALL SIZE: 1200X600X250 MM  
 BOWL SIZE : 450 X 450 MM  
 THICKNESS: 1 MM  
 FINISH: NANO BLACK  
 RADUIS : 10

NBM0003450X



## JAMBO SB12060

CODE : 23410120053

MATERIAL: STAINLESS STEEL  
 SINGLE BOWL  
 TOP MOUNT  
 OVER ALL SIZE: 1200X600X250 MM  
 BOWL SIZE : 1150 X 500 X 250 MM  
 THICKNESS: 1 MM  
 TOP MOUNT: 2.0mm-FRONT FACIAL 1.5 MM  
 FRONT FACIAL 1.5 MM BOWL:1.0 MM R10  
 FINISH: NANO BLACK  
 RADUIS : 10

NBM0003200X

### OPTIONALS:



OVERALL SIZE: 395\*260 MM  
 THICKNESS:20MM  
 NBM000195X



OVERALL SIZE: : 395\*280 MM  
 THICKNESS:0.8MM  
 NBM000350X



OVERALL SIZE: 395X260X80 MM  
 THICKNESS:0.8MM  
 NBM000195X



## APRON SB9050S

CODE : 2351090008S

MATERIAL: STAINLESS STEEL  
 UNDER MOUNT  
 OVERALL SIZE: 900 X 500X 220 MM  
 THICKNESS: 1.2 MM +0.8 MM  
 RADUIS : 10

NBM0001300X



## APRON SB9050B

CODE : 2351090009B

MATERIAL: STAINLESS STEEL  
 UNDER MOUNT 900 X 500X 220 MM  
 OVERALL SIZE:  
 BOWL SIZE : 850 X 400 X 220 MM  
 THICKNESS: 1.2 MM +0.8 MM  
 RADUIS : 10

NBM0001845X

### OPTIONALS:



OVERALL SIZE: 395\*260 MM  
 THICKNESS:20MM  
 NBM000195X



OVERALL SIZE: : 395\*280 MM  
 THICKNESS:0.8MM  
 NBM000350X



OVERALL SIZE: 395X260X80 MM  
 THICKNESS:0.8MM  
 NBM000195X



## APRON SB9050G

CODE : 2351090010G

MATERIAL: STAINLESS STEEL  
 UNDER MOUNT  
 OVERALL SIZE: 900 X 500X 220 MM  
 THICKNESS: 1.2MM +0.8 MM  
 RADUIS : 10

NBM0001700X



# STAINLESS STEEL



## MARS DBSD1650S



**CODE : 23421120033**

MATERIAL: MATTE STAINLESS STEEL  
DOUBLE BOWL, SINGLE DRAIN  
OVERALL SIZE: 1160 X 500 X 220 MM  
THICKNESS: 3.0 + 1.0 MM  
CUT-OUT WITH CLIPS: 1130 X 470 MM  
TOP MOUNT  
NBM0001350X

## EARTH 22 DBSD



**CODE : 23421120058**

MATERIAL: MATTE STAINLESS STEEL  
DOUBLE BOWL, SINGLE DRAIN  
OVERALL SIZE: 1200X500X220 MM  
THICKNESS: 3.0 + 1.0 MM  
CUT-OUT: 1170 X 470 MM  
TOP MOUNT  
NBM000575X

## MARS SBSD11650S



**CODE : 23411116063**

MATERIAL: MATTE STAINLESS STEEL  
SINGLE BOWL, SINGLE DRAIN INSET  
OVERALL SIZE: 1160 X 500 X 220 MM  
THICKNESS: 3.0+0.6 MM  
CUT-OUT: 1130 X 470 MM  
NBM0001200X

## JUPITER 18 DBSD



**CODE : 23421120059**

MATERIAL: MATTE STAINLESS STEEL  
DOUBLE BOWL, SINGLE DRAIN  
OVERALL SIZE: 1200X500X180 MM  
THICKNESS: 3.0 + 1.0 MM  
CUT-OUT: 1170 X 470 MM  
TOP MOUNT  
NBM000330X

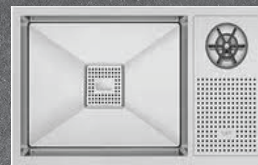
## EARTH 18 SS



**CODE : 23411760605**

MATERIAL: MATTE STAINLESS STEEL  
SINGLE BOWL, SINGLE DRAIN INSET  
OVERALL SIZE: 900X500X150 MM  
THICKNESS: 0.6 MM  
CUT-OUT: 885 X 480 MM  
NBM000265X

## PLUTO SB8490S



**CODE : 341186062S**

MATERIAL: MATTE STAINLESS STEEL  
SINGLE BOWL  
TOP MOUNT  
OVER ALL SIZE: 860x440X220 MM  
WITH ACCESSORIES BLACK  
THICKNESS: 3.0MM+0.6MM  
CUT-OUT: 840 X 420 MM  
BOWL SIZE: 605\*390\*220/230\*390 MM  
NBM0001150X

## MK7847B



**CODE : 23410750325**

MATERIAL: MATTE STAINLESS STEEL  
SINGLE BOWL, SINGLE DRAIN  
OVERALL SIZE: 750 X 490 X 190 MM  
THICKNESS: 3.0 + 1.0 MM  
FINISH: MATTE  
CUT-OUT: 720 X 460 MM  
TOP MOUNT  
NBM000900X

## AE7650



**CODE : 2341176018S**

MATERIAL: MATTE STAINLESS STEEL  
SINGLE BOWL, SINGLE DRAIN INSET  
OVERALL SIZE: 760X500X180 MM  
THICKNESS: 3.0 + 1.0 MM  
CUT-OUT: 740 X 480 MM  
NBM000260X

## MK7950



**CODE : 2341079031S**

MATERIAL: MATTE STAINLESS STEEL  
SINGLE BOWL, WITH TWO GLASS COVERS  
OVERALL SIZE: 790 X 500 X 220 MM  
THICKNESS: 3.0 + 1.0 MM  
FINISH: MATTE & GLASS  
CUT-OUT: 750 X 465 MM  
TOP MOUNT  
NBM0001250X

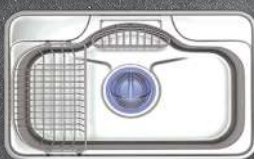
## EARTH 18 DB



**CODE : 2342085061S**

MATERIAL: MATTE STAINLESS STEEL  
DOUBLE BOWL  
OVERALL SIZE: 880X500X180 MM  
THICKNESS: 3.0 + 1.0 MM  
CUT-OUT: 820 X 470 MM  
TOP MOUNT  
NBM000360X

## WDB650S



**CODE : 2341080005S**

MATERIAL: MATTE STAINLESS STEEL  
SINGLE BOWL TOP MOUNT  
OVERALL SIZE: 850X520X220 MM  
THICKNESS: 0.8 MM  
CUT-OUT: 830 X 470 MM  
NBM000725X

## MK7549A



**CODE : 2341075029S**

MATERIAL: MATTE STAINLESS STEEL  
SINGLE BOWL TOP MOUNT  
OVERALL SIZE: 750 X 490 X 220 MM  
THICKNESS: 3.0 + 1.0 MM  
CUT-OUT: 720 X 460 MM  
NBM000900X

## 8050S



**CODE : 2341080003S**

MATERIAL: MATTE STAINLESS STEEL  
SINGLE BOWL TOP MOUNT  
OVERALL SIZE: 800 X 500 X 200 MM  
THICKNESS: 1.0 MM  
CUT-OUT: 770 X 470 MM  
NBM000545X



NBM0001350X



NBM000350X

## TOP MOUNT SINK

**ELITE**  
ITALIAN DESIGN

### MK4550SS



#### CODE : 2341045026S

MATERIAL: STAINLESS STEEL  
SINGLE BOWL TOP MOUNT  
OVERALL SIZE: 450 X 500 X 230 MM  
THICKNESS: 3.0 + 1.0 MM  
CUT-OUT: 430 X 480 MM  
FINISH: MATTE  
BOWL SIZE : 400 X 400 MM  
NBM000400X

### MK6050SS



#### CODE : 2341060028S

MATERIAL: STAINLESS STEEL  
SINGLE BOWL TOP MOUNT  
OVERALL SIZE: 600 X 500 X 220 MM  
THICKNESS: 3.0 + 1.0 MM  
CUT-OUT: 575 X 475 MM  
FINISH: MATTE  
BOWL SIZE : 550 X 400 MM  
NBM000475X

### MK7650



#### CODE : 2341076030S

MATERIAL: STAINLESS STEEL  
SINGLE BOWL TOP MOUNT  
OVERALL SIZE: 760 X 500 X 220 MM  
THICKNESS: 3.0 + 1.0 MM  
CUT-OUT: 745 X 465 MM  
FINISH: MATTE  
BOWL SIZE : 710 X 400 MM  
NBM000750X

### MK8650SS



#### CODE : 2341086064S

MATERIAL: STAINLESS STEEL  
SINGLE BOWL TOP MOUNT  
OVERALL SIZE: 860 X 500 X 220 MM  
THICKNESS: 3.0 + 1.0 MM  
CUT-OUT: 840 X 480 MM  
FINISH: MATTE  
BOWL SIZE : 810 X 400 MM  
NBM000850X

### MKD8650SS



#### CODE : 2342086065S

MATERIAL: STAINLESS STEEL  
DOUBLE BOWL TOP MOUNT  
OVERALL SIZE: 860 X 500 X 220 MM  
THICKNESS: 0.8 MM  
CUT-OUT: 840 X 480 MM  
FINISH: MATTE  
BOWL SIZE : 400 X 400 MM  
NBM0001050X

### 6545 CR



#### CODE : 2341065002S

MATERIAL: STAINLESS STEEL  
SINGLE BOWL TOP MOUNT  
OVERALL SIZE: 600 X 460 X 220CM  
THICKNESS: 0.8 MM  
CUT-OUT: 570 X 430 MM  
FINISH: MATTE  
NBM000400X

### AE490



#### CODE : 2341050016S

MATERIAL: STAINLESS STEEL  
SINGLE BOWL INSET  
OVERALL SIZE: 500 X 500 X 175 MM  
THICKNESS: 0.6 MM  
CUT-OUT: 470 X 470 MM  
FINISH: MATTE  
NBM000235X



### AE500



#### CODE : 2341040017S

MATERIAL: STAINLESS STEEL  
SINGLE BOWL INSET  
OVERALL SIZE: 400 X 500 X 160 MM  
THICKNESS: 0.6 MM  
CUT-OUT: 370 X 470 MM  
FINISH: MATTE  
NBM000220X

### AD4517



#### CODE : 2341060015S

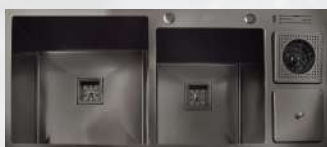
MATERIAL: STAINLESS STEEL  
SINGLE BOWL INSET  
OVERALL SIZE:  
THICKNESS: 0.6 MM  
BOWL DEPTH: 175 MM  
CUT-OUT: 378 MM  
FINISH: MATTE  
NBM000220X

# ELITE

MATERIAL: STAINLESS  
STEEL  
SINGLE BOWL TOP MOUNT  
OVERALL SIZE: 860X500X220 MM  
THICKNESS: 3MM ± 0.6MM  
CUT-OUT: 830 x 470 MM  
BOWL SIZE : 810 X 400 MM,



TOP MOUNT PVD COLORED SINK



**URANUS DBSD1650B**

**CODE : 23420120080**

MATERIAL: STAINLESS STEEL  
 DOUBLE BOWL  
 TOP MOUNT  
 OVER ALL SIZE: 1160x500x220 MM  
 WITH ACCESSORIES BLACK  
 THICKNESS: 3.0MM+0.6MM  
 FINISH: NANO BLACK  
 CUT-OUT: 1130 X 470 MM  
 BOWL SIZE : 490\*350\*220/ 380\*400 MM

**NBM0001700X**



**MARS DBSD1650B**

**CODE : 23421120043**

MATERIAL: STAINLESS STEEL  
 DOUBLE BOWL, SINGLE DRAIN  
 TOP MOUNT  
 OVER ALL SIZE: 1160x500x220 MM  
 THICKNESS: 3.0 + 1.0 MM  
 FINISH: NANO BLACK  
 CUT-OUT: 1130 X470 MM

**NBM0001550X**



**MARS SBSDD11650B**

**CODE : 23411120044**

MATERIAL: STAINLESS STEEL  
 SINGLE BOWL, SINGLE DRAIN  
 TOP MOUNT  
 OVER ALL SIZE: 1160X 500X200 MM IV  
 THICKNESS: 3.0 + 1.0 MM  
 FINISH: NANO BLACK  
 CUT-OUT: 1130 X 470 MM

**NBM0001450X**



**MK7950NB**

**CODE : 2341079042B**

MATERIAL: STAINLESS STEEL  
 TOP MOUNT  
 SINGLE BOWL, BLACK GLASS  
 OVER ALL SIZE: 790 X 500 MM  
 THICKNESS: 3.0 + 1.0 MM  
 FINISH: NANO BLACK  
 CUT-OUT: 765 X 465 MM

**NBM0001650X**



**WATERFALL SB8050 WITH MIXER**

**CODE : 2341070004B**

MATERIAL: STAINLESS STEEL  
 SINGLE BOWL TOP MOUNT  
 OVER ALL SIZE: 750 X 460X MM  
 WITH ACCESSORIES  
 THICKNESS: 1 MM  
 FINISH: NANO BLACK  
 CUT-OUT: 720 X 430 MM

**NBM0001300X**



**PLUTO SB8650B**

**CODE : 2341086069B**

MATERIAL: STAINLESS STEEL  
 SINGLE BOWL  
 TOP MOUNT  
 OVER ALL SIZE: 860x440x220 MM  
 WITH ACCESSORIES BLACK  
 THICKNESS: 3.0MM+0.6MM  
 FINISH: NANO BLACK  
 CUT-OUT: 830 X 410 MM  
 BOWL SIZE : 605\*390\*220/ 230\*390 MM

**NBM0001300X**



ELITE



## TOPMOUNT- SINGLE BOWL

**ELITE**  
ITALIAN DESIGN

### MK7549ANB



**CODE : 2341075040B**

MATERIAL: STAINLESS  
STEEL  
SINGLE BOWL TOP MOUNT  
OVERALL SIZE: 750 X 490 X 220 MM  
THICKNESS:  
NANO BLACK  
CUT-OUT: 720 X 460 MM

**NBM0001050X**

### MK4550 B



**CODE : 2341045058B**

MATERIAL: STAINLESS  
STEEL  
SINGLE BOWL TOP MOUNT  
OVERALL SIZE: 450 X 500 X 220 MM  
THICKNESS: 3MM ± 0.6MM  
CUT-OUT: 430 x 480 MM  
BOWL SIZE ; 400 X 450 MM

**NBM000600X**

### MK6050 B



**CODE : 2341060057B**

MATERIAL: STAINLESS  
STEEL  
SINGLE BOWL TOP MOUNT  
OVERALL SIZE: 600 X 500 X 220 MM  
THICKNESS: 3MM ± 0.6MM  
CUT-OUT: 570 x 470 MM  
BOWL SIZE: 550 X 400 MM

**NBM000700X**

### MK8650B



**CODE : 2341086056B**

MATERIAL: STAINLESS  
STEEL  
SINGLE BOWL TOP MOUNT  
OVERALL SIZE: 860X500X220 MM  
THICKNESS: 3MM ± 0.6MM  
CUT-OUT: 830 x 470 MM  
BOWL SIZE : 810 X 400 MM,

**NBM000950X**

### MKD8650B



**CODE : 2342086055B**

MATERIAL: STAINLESS  
STEEL  
DOUBLE BOWL  
TOP MOUNT  
OVERALL SIZE: 860X500X220 MM  
THICKNESS: 3MM ± 0.6MM  
CUT-OUT: 830 x 470MM  
BOWL SIZE : 390 X 400 MM

**NBM0001350X**



# ACCESSORIES CHANNELS





# SINKS ACCESSORIES

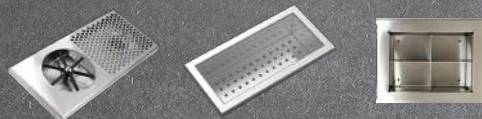


## SINKS ACCESSORIES



**CODE :CHSS900001**  
MATERIAL: STAINLESS STEEL  
SUS304  
UNDER-MOUNT SINKS  
OVERALL SIZE: 920 X 200 X 160 MM  
THICKNESS: 1.0 MM  
NANO BLACK  
CUT-OUT: 870 X 150 MM

■ **NBM0001000X**  
■ **NBM000750X**



**CODE :CHSS900002**  
MATERIAL: STAINLESS STEEL  
SUS304  
UNDER-MOUNT SINKS  
OVERALL SIZE: 920 X 200 X 160 MM  
THICKNESS: 1.0 MM  
CUT-OUT: 870 X 150 MM

■ **NBM0001100X**

G  
R  
A  
N



ITE SINKS



UN MARCHIO ITALIANO CHE PRODUCE SOLO IN ITALIA  
AN ITALIAN BRAND THAT MANUFACTURES 100% ITALIAN PRODUCTS





TOPMOUNT- SINGLE BOWL - DOUBLE BOWL

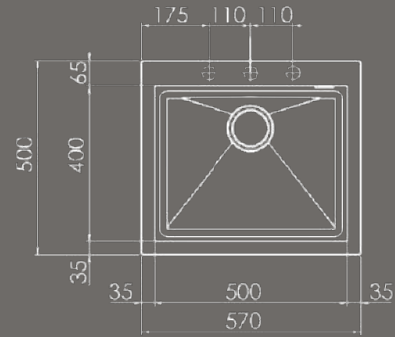


NEVADA5750



OVERALL SIZE : 570x500 MM  
 BASIS : 600 MM  
 BOWLS DEPTH : 200 MM  
 TOP MOUNT CUT OUT : 550x480 MM

- WHITE
- TOURMALINE
- HEMATITE
- BLACK
- BEIGE



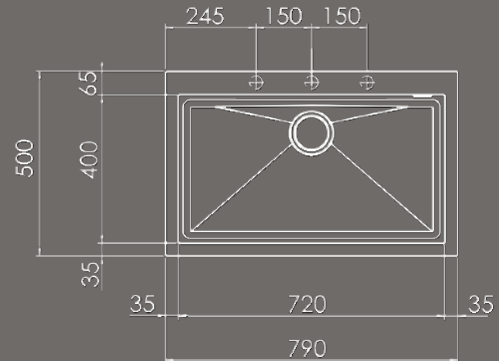
NBM000900X

NEVADA7950 1V



OVERALL SIZE : 790x500 MM  
 BASIS : 800 MM  
 BOWLS DEPTH : 200 MM  
 TOP MOUNT CUT OUT : 770x480 MM

- WHITE
- BLACK



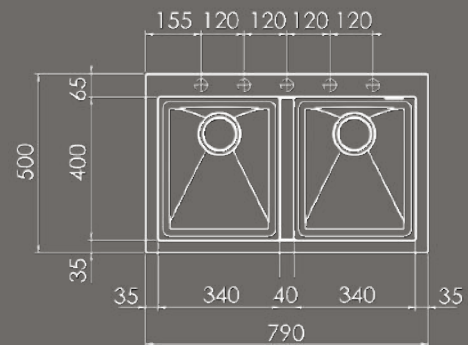
NBM0001345X

NEVADA7950 2V



OVERALL SIZE : 790x500 MM  
 BASIS : 800 MM  
 BOWLS DEPTH : 200 MM  
 TOP MOUNT CUT OUT : 770x480 MM

- WHITE
- TOURMALINE
- HEMATITE
- BLACK
- BEIGE



NBM0001245X



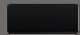
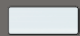
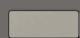
TOP MOUNT DOUBLE BOWL - SINGLE BOWL SINGLE DRAIN

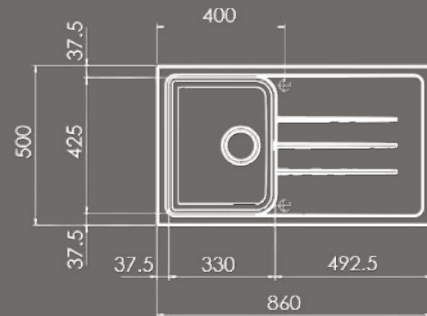


**COLORADO 8650 1V**



OVERALL SIZE : 860x500 MM  
 BASIS 1 : 450 MM  
 BASIS 2 : 900 MM  
 BOWLS DEPTH : 200 MM  
 TOP MOUNT CUT OUT : 840x480 MM

-  BLACK
-  WHITE
-  BEIGE

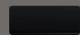
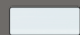
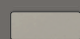


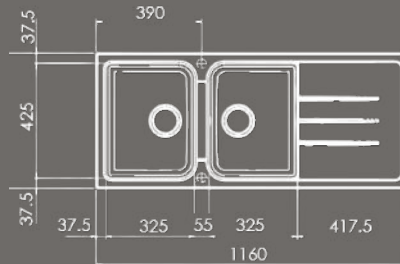
NBM0001100X

**COLORADO 11650 2V**



OVERALL SIZE : 1160x500 MM  
 BASIS 1 : 800 MM  
 BASIS 2 : 1200 MM  
 BOWLS DEPTH : 200 MM  
 TOP MOUNT CUT OUT : 1140x480 MM

-  BLACK
-  WHITE
-  BEIGE



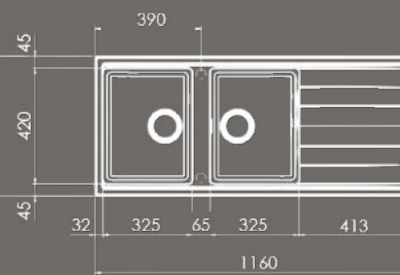
NBM0001345X

**OREGON 11651 2V**



OVERALL SIZE : 1160x510 MM  
 BASIS 1 : 800 MM  
 BASIS 2 : 1200 MM  
 BOWLS DEPTH : 200 MM  
 TOP MOUNT CUT OUT : 1140x480 MM

-  WHITE
-  TOURMALINE
-  HEMATITE
-  BLACK
-  BEIGE



NBM0001345X





# SCHOCK



MADE  
IN  
GERMANY

GRANITE SINKS



## TOP MOUNT - SINGLE BOWL

# SCHOCK

### NEMO N100S



**CODE : NEMO100S**

OVERALL SIZE : 510 X 490 X MM  
CUT OUT  
TOP MOUNT 470X 450 MM (T)  
UNDER-MOUNT 434 X 454 MM (U)  
NBM000900X



ONYX

### PRIMUS N-100X



**CODE : PRIMUSN100XLB  
PRIMUSN100XLW**

OVERALL SIZE : 790 X 500 MM  
TOP MOUNT 770X 480 MM (T)  
UNDER-MOUNT 775 X 485 MM (U)

NBM0001650X



SUPERWHITE



ONYX

### PRIMUS N-100



**CODE : PRIMUSN100XLBE / PRIMUSN100A  
PRIMUSN100T / PRIMUSN100I**

OVERALL SIZE : 790 X 500 MM  
TOP MOUNT 770X 480 MM (T)  
UNDER-MOUNT 775 X 485 MM (U)

NBM0001650X



MAGNOLIA



INCA



TERRA



ALPACA

### MONTANO N-100L



**CODE : MONTANON100L**

OVERALL SIZE : 830 X 530 MM  
CUT OUT  
TOP MOUNT 810X 510 MM (T)  
UNDER-MOUNT 813 X 513 MM (U)  
NBM0001650X



INCA

## UNDERMOUNT- SINGLE BOWL

# SCHOCK

### QUADRON100



CODE : QUADRON100  
QUADRON100W

OVERALL SIZE : 550 X 430 MM  
CUT-OUT: 500 X 380 MM  
UNDER-MOUNT:

NBM000900X



ALPINA

### GREENWICHN100L



CODE : GREENWICHN100L  
GREENWICHN100LM

OVERALL SIZE : 556 X 456 MM  
CUT-OUT: 506 X 406 MM  
UNDER-MOUNT

NBM0001000X



PURO

## UNDER-MOUNT DOUBLE BOWL

### MADISON N175



CODE : MADISONN175

OVERALL SIZE: 839 X 559 X 229MM  
CUT-OUT: 728 X 392 MM (U)  
818 X 539 MM (T)

UNDER-MOUNT/TOP MOUNT

NBM0001550X

### SOLIDO N200



CODE : SOLIDON200

OVERALL SIZE: 857 X 484 X 195 MM  
CUT-OUT: 800 X 423 MM (U)

UNDER-MOUNT

ALSO AVAILABLE IN MOCHA\*

NBM0001450X



# **SCHÖCK**

**PRIMUS N200  
DOUBLE BOWL  
GRANITE  
BLACK COLORS  
TOP MOUNT**

**SCHOCK**

**WATERFALL D-150  
SINGLE BOWL  
GRANITE  
BLACK COLOR  
TOP MOUNT**

**GENIUSD-150**



**CODE : GENIUSD150C/GENIUSD150M**

OVERALL SIZE : 1000 X 500 X 195 MM

CUT-OUT:

TOP MOUNT 980 X 480 MM (T)

UNDER : MOUNT 986 X 486 MM (U)

NBM0001350X

**MANHATTAND150L**



**CODE : MANHATTAND150LC  
MANHATTAND150LI  
MANHATTAND150LV**

OVERALL SIZE: 1000 X 500 X 200 MM

CUT-OUT:

TOP MOUNT 980 X 480 MM (T)

UNDER : MOUNT 986 X 486 MM (U)

NBM0001350X



INCA



CREMA

**PRIMUSD150**



**CODE : PRIMUSD150**

OVERALL SIZE: 1000 X 500 X (195 X 120 ) MM

CUT-OUT:

TOP MOUNT 980 X 480 MM (T)

UNDER : MOUNT 986 X 486 MM (U)

NBM0001350X



MOCHA

**WATERFALLD150**



**CODE : WATERFALLD150R  
WATERFALLD150P  
WATERFALLD150M**

OVERALL SIZE: 1000 X 500 X (180 X 140 ) MM

CUT-OUT:

TOP MOUNT 980 X 480 MM (T)

UNDER : MOUNT 986 X 486 MM (U)

NBM0001350X



ROUGE



POLARIS



MAGNOLIA



TOP MOUNT SINGLE BOWL-SINGLE DRAIN

SCHOCK

KALLIO M-175



**CODE : KALLIOM175**  
 OVERALL SIZE: 898 X 630 X 220 MM  
 CUT-OUT: 868 X 600 MM  
 BOWL SIZE : 456 x 465 x 220 MM  
 326 x 465 x 220 MM  
 UNDER-MOUNT/TOP MOUNT  
 NBM0005850X



GRANDO M100



**CODE : GRANDOM100**  
 OVERALL SIZE : 900 X 628 X 185 MM  
 CUT-OUT: 880 X 608 MM  
 BOWL SIZE : 425 x 399 x 185 MM  
 TOP MOUNT  
 NBM0004200X



RONDA D100XL



**CODE : RONDAD100XLN  
 RONDAD100XLO**  
 OVERALL SIZE : 780 X 500 X 195 MM  
 CUT-OUT: 760 X 480 MM  
 TOP MOUNT : 766 X 486 MM  
 UNDER-MOUNT : 766 X 486 MM  
 REVERSIBLE INSTALLATION  
 NBM0001100X



GENIUS D100



**CODE : GENIUSD100T**  
 OVERALL SIZE : 860 X 500 X 230 MM  
 CUT-OUT: 840 X 480X MM  
 TOP MOUNT : 846 X 485X MM  
 UNDER-MOUNT : 846 X 485X MM  
 NBM0001100X



RONDA D100L

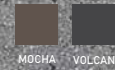


**CODE : RONDAD100LA**  
 OVERALL SIZE : 650 X 500 X 195 MM  
 CUT-OUT: 630 X 480 MM  
 TOP MOUNT : 636 X 486 MM  
 UNDER-MOUNT: 636 X 486 MM  
 NBM0001000X

MANHATTAN D100L



**CODE : MANHATTAND100LM  
 MANHATTAND100LV**  
 OVERALL SIZE : 1000 X 500 X 230 MM  
 CUT-OUT: 980 X 480 MM  
 TOP MOUNT : 986 X 480 MM  
 UNDER-MOUNT 986 X 480 MM  
 NBM0001100X



WATERFALL D100



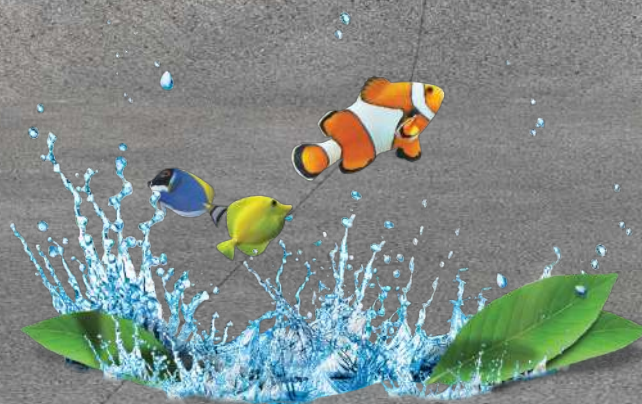
**CODE : WATERFALLD100R**  
 OVERALL SIZE : 860 X 500 X 230 MM  
 CUT-OUT: 830 X 480 MM  
 TOP MOUNT : 836 X 486 MM  
 UNDER-MOUNT 836 X 486 MM  
 NBM0001100X



KYOT D100L



**CODE : KYOTOD100LM**  
 OVERALL SIZE : 1000 X 500 X 230 MM  
 CUT-OUT: 980 X 480 MM  
 TOP MOUNT : 986 X 480 MM  
 UNDER-MOUNT 986 X 480 MM  
 NBM0001100X







TOP MOUNT DOUBLE BOWL- SINGLE DRAIN

SCHOCK

VIOLA D200



CODE : VIOLAD200

OVERALL SIZE : 1160 X 500 X 190 MM

CUT-OUT:

TOP MOUNT 1140X 480 MM (T)

UNDER-MOUNT 1146X 485 MM (U)

NBM0001550X



ONEX

CITY D200



CODE : CITYD200

OVERALL SIZE : 1160 X 500 X 190 MM

CUT-OUT:

TOP MOUNT 1140X 480MM (T)

UNDER-MOUNT 1146X 486MM (U)

NBM0001650X



S.WHITE M.STONE CROMA ONYX

FORMHAUS D200



CODE : FORMHAUSD2000  
FORMHAUSD200S  
FORMHAUSD200BE  
FORMHAUSD200W

OVERALL SIZE : 1160 X 500 X 210 MM

CUT-OUT:

TOP MOUNT 1140X 480 MM (T)

UNDER-MOUNT 1146X 485 MM (U)

NBM0001550X



ALPINA SABBIA M.STONE ONYX

SIGNUS D200



CODE : SIGNUSD200P

OVERALL SIZE : 1160 X 500 MM

CUT-OUT:

TOP MOUNT 1140 X 480MM (T)

UNDER-MOUNT 1146 X 485MM (U)

NBM0001550X



PURO

GENIUS D-200



CODE : GENIUSD200C  
GENIUSD200BE

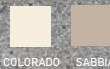
OVERALL SIZE : 1160 X 500 X 190 MM

CUT-OUT:

TOP MOUNT 1140X 480 MM (T)

UNDER-MOUNT 1146X 485 MM (U)

NBM0001300X



COLORADO SABBIA

TYPOS D200



CODE : TYPOSD2000

OVERALL SIZE : 1160 X 500 MM

CUT-OUT:

TOP MOUNT 1140X 480MM (T)

UNDER-MOUNT 1146X 485MM (U)

NBM0001550X



ONYX

LITHOS D200



CODE : LITHOSD200

OVERALL SIZE : 1160 X 500 X 190 MM

CUT-OUT: TOP MOUNT 1140X 480 MM (T)

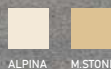
UNDER-MOUNT 1145X 485 MM (U)

BOWL SIZE : 340 X 421 X 205 MM

340 X 421 X 205 MM

REVERSIBLE

NBM0001300X



ALPINA M.STONE

ELITE

GRANITE SINKS



# TOPMOUNT SINGLE BOWL



**CS4548**



**CODE : 2441048004B  
2441048005W  
2441048006BE**

OVERALL SIZE : 445 X 480 X 210 MM  
TOP MOUNT CUT OUT : 425 X 460 MM  
PACKAGE SIZE: 580 X 520 X 290 MM  
NBM000590X



**CS590525**



**CODE :2441059007B  
2441059044W  
2441059045BE**

OVERALL SIZE : 590 X 525 X 230 MM  
TOPMOUNT CUT OUT: 570X 505 MM  
PACKAGE SIZE: 680 X 620 X 290 MM  
NBM000645X



**ADL-7248G**



**CODE : 2441072046B  
2441072047W  
2441072048BE  
2441072049G**

OVERALL SIZE : 720X 480 X 215 MM  
TOPMOUNT CUT OUT : 700X460 MM  
PACKAGE SIZE:  
NBM000900X



**QJ-8650ST**



**CODE : 2441086053B  
2441086054W**

OVERALL SIZE : 860 X 500 X 215 MM  
CUT OUT : 840X480 MM  
TOP MOUNT  
PACKAGE SIZE:  
NBM000995X





# UNDERMOUNT- SINGLE BOWL



**ADL 4343G**



**CODE : 2451043053B  
2451043054W  
2451043055BE  
2451043056G**

OVERALL SIZE : 430X 430X 215 MM  
CUT OUT : 380X380 MM  
BOWL SIZE : 375X375 MM  
UNDER-MOUNT  
THICKNESS : 10 MM



**NBM000535X**

**CS4545**



**CODE : 2451045001B  
2451045002W  
2451045003BE**

OVERALL SIZE : 450 X 450X 230 MM  
CUT OUT : 430 X 430 MM  
TOP MOUNT : 430 X 430 MM  
UNDER MOUNT : 395 X 395 MM  
THICKNESS : 10 MM  
BOWL SIZE : 400 X 400MM  
PACKAGE SIZE : 530 X 530 X 290MM



**NBM000575X**

**ADL 5545G**



**CODE : 2451055056B/2451055057W  
2451055058BE/2451055059G**

OVERALL SIZE : 547 X 447 X 215 MM  
CUT OUT : 490 X 390 MM  
BOWL SIZE : 495 X 395 MM  
THICKNESS : 10 MM  
BOWL SIZE : 495 X 395MM  
PACKAGE SIZE : 610 X 530 X 300MM



**NBM000610X**

**CS5945**



**CODE : 2451059008B/2451059009W  
2451059043B**

OVERALL SIZE : 590X 450 X 230 MM  
CUT OUT : 570 X 430 MM  
TOP MOUNT : 540X 400 MM  
UNDER MOUNT : 540X 400 MM  
THICKNESS : 10 MM  
BOWL SIZE : 540 X 400 MM  
PACKAGE SIZE : 690 X 530 X 290MM



**NBM000625X**

**ADL7545**



**CODE :2451075062B**

OVERALL SIZE : 750 X 450 X 215 MM  
CUT OUT : 730 X 430 MM  
TOP MOUNT : 700 X 390 MM  
UNDER MOUNT : 700 X 390 MM  
THICKNESS : 10 MM  
BOWL SIZE : 700 X 400 MM  
PACKAGE SIZE : 840 X 525 X 290MM

**NBM000900X**

**CS7645**



**CODE : 2451076013B/2451076014W  
2451076042BE**

OVERALL SIZE : 760 X 450 X 220 MM  
CUT OUT : 740 X 430 MM  
TOP MOUNT : 700 X 390 MM  
UNDER MOUNT : 700 X 390 MM  
THICKNESS : 10 MM  
BOWL SIZE : 710 X 400MM  
PACKAGE SIZE : 840 X 525 X 290MM

**NBM000900X**



**QJ-8644SU**



**CODE :2451086055B/2451086056W**

OVERALL SIZE : 860 X 440X 215 MM  
CUT OUT : 840 X 420 MM  
TOP MOUNT : 790X 375 MM , R15  
UNDER-MOUNT : 790 X 375MM  
THICKNESS : 10 MM  
BOWL SIZE : 790 X 375MM  
PACKAGE SIZE : 940 X 530 X 295MM

**NBM000995X**



## TOP MOUNT - DOUBLE BOWL

ELITE

### CS8050BLACK



CODE :2442080024B/2442080058W  
2442086060B

OVERALL SIZE: 804X500X240 MM  
CUT-OUT: 769X465 MM  
UNDER-MOUNT/TOP MOUNT

NBM000925X



BLACK WHITE BEIGE

### QJ8650DT-



CODE :2442080059B/2442080061W

OVERALL SIZE: 860X500 X 215 MM  
CUT-OUT: 840 X 480 MM  
UNDER-MOUNT/TOP MOUNT  
BOWL SIZE: 385 X 390MM / 385 X 390MM  
PACKAGE SIZE: 940 X 590 X 300MM  
NBM000975X



WHITE BLACK

## UNDER-MOUNT DOUBLE BOWL

### CS7745



CODE : 2452077020B/2452077021W  
2452077022BE/2452077023G

OVERALL SIZE: 770 X 450 X 220 MM  
CUT-OUT: 720 X 400 MM (U)  
BOWL SIZE: 345 X 400 MM BOTH  
CUTOUT: 740\*425MM  
PACKAGE SIZE: 840x530x300MM  
UNDER-MOUNT  
NBM000900X



BLACK WHITE BEIGE GRAY

### QJ8644DU



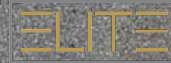
CODE :2452086055B

OVERALL SIZE: 860 X 440 X 220 MM  
CUT-OUT: 79.5 X 380 MM (U)  
UNDER-MOUNT  
BOWL SIZE : 400 X 400, 400 X 400 MM  
NBM000975X



BLACK WHITE

TOP MOUNT DOUBLE & SINGLE BOWL - SINGLE DRAIN



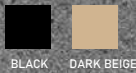
**CS 7848**



**CODE : 2441178025B  
2441178024BE  
2441178042DB**

OVERALL SIZE : 780 X 480X MM  
CUT-OUT : 750 X 450 MM  
BOWL SIZE : 355 X 420 MM  
PACKAGE SIZE: 860 X 540 X 290MM  
TOP MOUNT

NBM000875X



**ADL-8650GA**



**CODE : 2441186044B  
2441186045DG  
2441186046W  
2441186047BE**

OVERALL SIZE : 860 X 500 X 215 MM  
CUT-OUT : 825X 470 MM  
BOWL SIZE : 430X 400 MM  
TOP MOUNT  
PACKAGE SIZE: 940 X 570 X 290MM

NBM000875X



**CS11650**



**CODE : 24421116032**

OVERALL SIZE: 1160 X 500 X 230 MM  
CUT-OUT: 1140X 480 MM  
TOP MOUNT

NBM0001075X



**CS11649**



**CODE : 24421116031  
24421116033  
24421116034**

OVERALL SIZE: 1160 X 490X 210 MM  
BOWL SIZE: 340 X 410MM / 340 X 410 MM  
CUTOUT: 1125 X 640MM  
PACKAGE SIZE: 1230 X 550 X 280 MM  
TOP MOUNT

NBM0001075X



**ADL11650G**



**CODE : 24421116035 / 24421116044  
24421116036 / 24421116037**

OVERALL SIZE: 1160 X 500 X 215 MM  
BOWL SIZE: 360 X 420MM / 360 X 420MM  
CUTOUT: 1140 X 480MM  
PACKAGE SIZE: 1220 X 570 X 300MM  
TOP MOUNT

NBM000995X







# MIXERS



MIXERS  
AQUAMIX PULL OUT  
EASYMIX FIXED SPOUT  
COLOMIX  
GRANITE MIX

# PULL OUT CHROME FAUCETS



CODE : 10202001

**130247 CRM**

BRASS BODY  
ZINC ALLOY HANDLE  
25MM SEDAL CERAMIC  
CARTRIDGE  
S/S SPRING OUTER HOSE  
**NBM0001300X**



CODE : 10302024

**130363CRM**

PULL OUT KITCHEN FAUCETS  
BRASS BODY  
ZINC ALLOY HANDLE  
35MM SEDAL CARTRIDGE

**NBM0001075X**

CODE : 10202005

**130078 CRM**

SINK MIXER  
25MM CARTRIDGE  
SPRING OUTSIDE HOSE  
EPDM INSIDE HOSE  
PULL DOWN SYSTEM

**NBM000950X**



CODE : 10202006

**130079 CRM**

SINK MIXER  
35MM CARTRIDGE  
S/S SOFT SPRING  
EPDM INSIDE HOSE  
PULL DOWN SYSTEM

**NBM000900X**

CODE : 10302025

**RP9080**

CHROME  
PULL OUT MIXER  
**NBM000850X**



CODE : 10302136

**6037 CRM**

SINK MIXER  
STAINLESS STEEL  
ABS SPRAY  
PULL OUT MIXER  
HANDLE BRASS 2.30 CARTRIDGE

**NBM000850X**

CODE : 10302028

**6027CRM**

CM 6027 CRM MIXER,  
CHROME, WITH PULL-OUT  
SHOWER

**NBM000775X**



CODE : 10302093

**OB-D125 CHROME**

CHROME COLOR  
STAINLESS STEEL  
PULL OUT MIXERS

**NBM000750X**

CODE : 10202094

**GH-6063-ZN**

MIXER WITH SPRING AND  
PULL OUT NOZZLE

**NBM000750X**



CODE : 10302092

**R1031**

SINK MIXER  
25MM  
SPRING OUTSIDE HOSE  
EPDM INSIDE HOSE  
PULL DOWN SYSTEM

**NBM000750X**

CODE : 10202001

**R1033**

PULL OUT KITCHEN FAUCET  
BRASS BODY HANDLE  
ZINC ALLOY CARTRIDGE  
35MM SEDAL

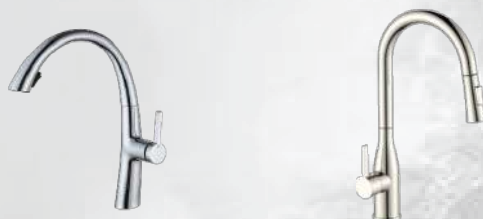
**NBM000725X**



# PULL OUT CHROME FAUCETS



CODE : 10302034  
**6098 CRM**  
FINISH CHROME  
PULL OUT MIXER  
NBM000650X



CODE :10302096  
**R1048S**  
PULL OUT MIXER  
FINISH CHROME  
NBM000630X

CODE : 10302029  
**6073 CRM**  
BRASS FAUCET BODY  
STAINLESS STEEL SPOUT  
ABS SPRAY  
2.25 CARTRIDGE 3.TWO OF  
60CM FLEXIBLE HOSE  
ONE OF 150CM PULL-OUT  
NBM000675X



CODE : 10302097  
**R1048**  
PULL OUT MIXER  
FINISH CHROME  
NBM000600X

CODE : 10202008  
**9030MISCCRM**  
PULL OUT MIXER  
FINISH CHROME  
NBM000600X



CODE : 10302035  
**9RP9082-C**  
PULL OUT MIXER  
FINISH CHROME  
NBM000575X

CODE : 10202007  
**90220MISCCRM**  
90220 MIXER WITH  
SPRING AND TWO ABS  
JETS SPRAY. CHROME  
FINISHED.  
NBM000575X



CODE : 10202004  
**WD202-C**  
MIXER WITH SPRING AND  
TWO ABS JETS SPRAY.  
CHROME  
NBM000575X

# PULL OUT CHROME FAUCETS



CODE : 10202003

## WD201-C

9065 MIXER WITH SPRING  
AND HANDHELD SPRAY  
CHROME

NBM000725X



CODE : 10402095

## OB-D123 CHROME

CHROME  
PULL OUT

NBM000700X

CODE :10302036

## 9701MISCINOX

MIXER PULL OUT WITH SPRAY  
CHROME FINISH

NBM000470X



CODE :10302030

## 90277MISCCRM

MIXER WITH  
EXTRACTABLE SHOWER  
PULL OUT

NBM000475X

CODE :10302032

## 6040CRM

MIXER PULL OUT WITH  
SPRAY

NBM000495X



CODE :10402026

## LSHAPE

FAUCETS  
CHROME ZINC ALLOY

NBM000450X

CODE :10302098

## SL-1005 BRUSHED NICKEL

CHROME  
PULL OUT MIXER

NBM000450X



CODE :10302099

## SL-4728 BRUSHED NICKEL

CHROME  
PULL OUT MIXER

NBM000395X

CODE :10302037

## 90221MISCCRM

90221 MIXER WITH EXTRACTABLE  
SHOWER  
TWO JETS SPRAY-CHROME

NBM000350X



CODE :10302038

## 8524 CRM chrome

CHROME  
PULL OUT MIXER

NBM000350X



**WD202-C**

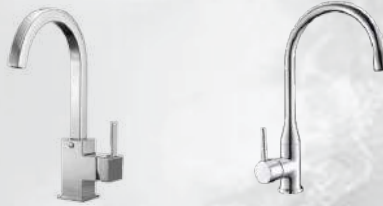
MIXER WITH SPRING AND  
TWO ABS JETS SPRAY.  
CHROME



# FIX SPOUT CHROME FAUCETS



CODE :10402043  
**90202MISCCRM**  
 90202 MIXER WITH SWIVEL  
 SPOUT  
 CHROME FINISHED  
 FIX MIXER.  
**NBM000250X**



CODE :10402045  
**6058CRM**  
 MIXER WITH SWIVEL SPOUT  
 BRASS FAUCET  
 BODY , BRASS SPOUT  
 ZINC HANDLE , 35 ARTRIDGE  
 TWO OF 60CM , FLEXIBLE HOSE  
**NBM000525X**

CODE :10402044  
**12015 CRM**  
 FIXED SPOUT MIXER  
 CHROME FINISH  
**NBM000475X**



CODE :10402040  
**90400MISCCRM**  
 FIX SPOUT MIXER  
 MIXER WITH SWIVEL SPOUT  
**NBM000425X**

CODE :10402054  
**90228MISCCRM**  
 90228 MIXER WITH SWIVEL  
 SPOUT. CHROME FINISHED  
 FIX MIXER .  
**NBM000325X**



CODE :10402046  
**90208MISCCRM**  
 90208 MIXER WITH SWIVEL  
 SPOUT, FIX MIXER  
 CHROME FINISHED **NBM000340X**  
 MATT FINISHED **NBM000300X**

CODE :10402051  
**8120 MISCINOX**  
 FIX SPOUT MIXER  
 MIXER WITH SWIVEL SPOUT  
**NBM000275X**



CODE : 10402048  
**90218 MISCCRM**  
 FIX SPOUT MIXER  
 MIXER WITH SWIVEL SPOUT  
**NBM000250X**

CODE :10402055  
**90214MISCCRM**  
 WITH SWIVEL  
 SPOUT  
 CHROME FINISHED.  
**NBM000245X**



CODE :10402052  
**9601MISCINOX**  
 FIX SPOUT MIXER  
 MIXER WITH SWIVEL SPOUT  
**NBM000195X**

CODE 10402053  
**9600MISCINOX**  
 FIX SPOUT MIXER  
 MIXER WITH SWIVEL SPOUT  
**NBM000195X**



CODE :10402057  
**90211MISCCRM**  
 FIX SPOUT MIXER  
 SINGLE LEVER CHROME  
**NBM000165X**







241

## CHROME/BLACK FAUCETS



**CODE :10202009**  
**130362 CRM**  
KITCHEN FAUCET  
BRASS BODY  
ZINC ALLOY HANDLE  
35MM SEDAL CARTRIDGE  
RUBBER PUT OUT TUBE-  
CHROME

**NBM0001150X**



**CODE :10202100**  
**6075 CRM**  
KITCHEN FAUCET  
BRASS BODY  
ZINC ALLOY HANDLE  
35MM SEDAL  
cartridge , RUBBER PUT OUT  
TUBE- CHROME

**NBM000975X**



**CODE: 10202101**  
**R1015**

MIXER PULL  
PULL OUT WITH  
BLACK AND  
CHROME

**NBM000700X**



**CODE 10202012**  
**9108 MISCCRM**  
MIXER PULL  
PULL OUT  
BLACK AND CHROME

**NBM000750X**



**CODE: 10202102**  
**R1043**

MIXER PULL  
PULL OUT WITH  
BLACK AND  
CHROME

**NBM000650X**



**CODE :10303071**  
**6073 MBK**  
MIXER PULL  
PULL OUT WITH  
BLACK AND  
CHROME

**NBM000725X**



**CODE :10202103**  
**R1036**

MIXER PULL  
PULL OUT WITH  
BLACK AND  
CHROME

**NBM000600X**



**CODE :10202011**  
**90108 MISCCRM**  
MIXER PULL  
PULL OUT WITH  
BLACK AND  
CHROME

**NBM000700X**



**OB-G17**

BRASS BODY  
ZINC ALLOY HANDLE  
35MM SEDAL CARTRIDGE  
RUBBER PUT OUT TUBE  
MATT BLACK  
GOLD FINISH  
CHROME FINISH

## PULL OUT BLACK FAUCETS



CODE :10204104  
**RP9085 GUN GREY**  
 MATT BLACK  
 NBM0001875X



CODE :10203013  
**130308PH**  
 KITCHEN MIXER  
 MATT BLACK  
 BRASS BODY  
 ZINC ALLOY HANDLE  
 NBM0001600X

CODE :10203105  
**130362GB**  
 KITCHEN FAUCET  
 BRASS BODY  
 ZINC ALLOY HANDLE  
 35MM SEDAL CARTRIDGE  
 RUBBER PUT OUT TUBE  
 BLACK  
 NBM0001500X



CODE :10203016  
**RP9086 BLACK**  
 CM PULL-OUT  
 MIXER MAT BLACK COLOR  
 NBM0001400X

CODE :10203106  
**OB-G07**  
 BRASS BODY  
 ZINC ALLOY HANDLE  
 35MM SEDAL CARTRIDGE  
 RUBBER PUT OUT TUBE  
 MATT BLACK  
 NBM0001350X



CODE :10203107  
**OB-G17**  
 BRASS BODY  
 ZINC ALLOY HANDLE  
 35MM SEDAL CARTRIDGE  
 RUBBER PUT OUT TUBE  
 MATT BLACK  
 NBM0001300X

CODE :10304108  
**OB-D68**  
 BRASS BODY  
 ZINC ALLOY HANDLE  
 35MM SEDAL CARTRIDGE  
 RUBBER PUT OUT TUBE  
 GUN GREY, PULL OUT MIXER  
 NBM0001275X



CODE :10304109  
**OB-D128**  
 RP9085 GUN GREY+MATT  
 BLACK WITH SESOR AND  
 TEMPRTUE READER  
 PULL OUT MIXER  
 NBM0001250X

CODE :10303110  
**130380 PH**  
 BRASS BODY  
 ZINC ALLOY HANDLE  
 35MM SEDAL CARTRIDGE  
 RUBBER PUT OUT TUBE  
 BLACK MATT  
 NBM0001250X



CODE :10304063  
**RP9083-GGR**  
 PULL OUT MIXER  
 GUN GREY FINISHED  
 NBM0001200X

CODE :10203017  
**W81505B**  
 BRASS BODY  
 35MM SEDAL CARTRIDGE  
 RUBBER PUT OUT TUBE  
 MATT BLACK  
 NBM0001100X



CODE :10304061  
**RP9075-GR+G**  
 PULL OUT MIXER - GREY  
 GOLD FINISHED  
 NBM0001075X



CM

**OB-D68**

BRASS BODY  
ZINC ALLOY HANDLE  
35MM SEDAL CARTRIDGE  
RUBBER PUT OUT TUBE  
GUN GREY

**OB-D128**

RP9085 GUN GREY +MATT  
BLACK WITH SENSOR AND  
TEMPERATURE



## PULL OUT BLACK FAUCETS



CODE :10203010

**6084MBK**

BRASS FAUCET BODY  
STAINLESS STEEL  
SPRING ABS SPRAY  
2.35 CARTRIDGE  
3.TWO OF 60CM  
FLEXIBLE HOSE ,ONE  
OF 150CM PULL-OUT  
HOSE

NBM0001025X



CODE :10204060

**RP9080-GGR**

PULL OUT MIXER  
GUN GREY

NBM000975X



CODE :10202111

**W81505GR**

BRASS BODY  
ZINC ALLOY HANDLE  
35MM SEDAL CARTRIDGE  
RUBBER PUT OUT

GUN BLACK

NBM0001150X

CODE :10203106

**R1031 GG**

SINK MIXER  
25MM  
CARTRIDGE  
SPRING OUTSIDE HOSE  
EPDM INSIDE HOSE  
PULL DOWN SYSTEM

NBM000950X



CODE :10303112

**6085GBK**

BRASS FAUCET BODY ,

BRASS SPOUT ,ZINC HANDLE

35 CARTRIDGE

TWO OF 60CM FLEXIBLE  
HOSE

NBM000900X

CODE :10304062

**RP9077-GGR**

PULL OUT MIXER  
GUN GREY

NBM000925X

CODE :10203106

**R1031 B**

SINK MIXER  
25MM  
CARTRIDGE  
SPRING OUTSIDE HOSE  
EPDM INSIDE HOSE  
PULL DOWN SYSTEM

NBM000850X



CODE :10303039

**130363GB**

PULL OUT KITCHEN FAUCET

BRASS BODY

ZINC ALLOY HANDLE

35MM SEDAL CARTRIDGE

BLACK MATT

NBM0001175X

CODE :10302113

**R1033B**

MIXER PULL OUT  
CHROME

NBM000775X



CODE :10303114

**GH-6063-MB**

PULL OUT MIXER  
BLACK MATT

NBM000825X



RP9089GG CODE :10304137

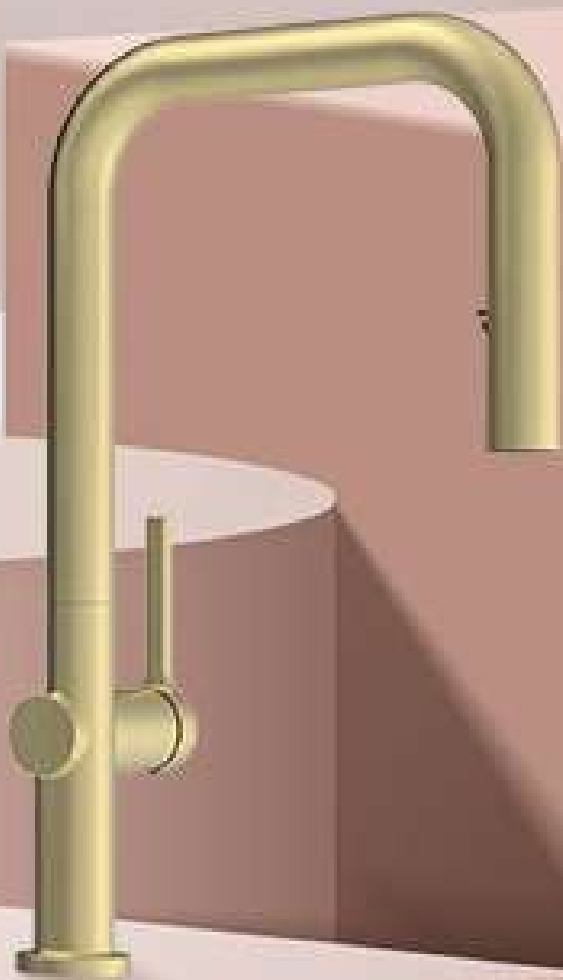
RP9089-B CODE :10302139

RP9089 CODE :10303138

MIXER PULL OUT  
GUN GREY , BLACK , GUN GREY

NBM000745X

**OB-D123  
MATT BLACK  
GOLD**





## PULL OUT BLACK FAUCETS



CODE :10203117  
**OB-D125**  
PULL OUT MIXER  
GUN GREY  
NBM000975X



CODE :10203059  
**6085BLK**  
PULL OUT MIXER  
MATTE BLACK  
NBM000800X

CODE :10203116  
**R1036GG**  
PULL OUT MIXER  
MATTE BLACK  
NBM000750X



CODE :10303115  
**OB-D125**  
PULL OUT MIXER  
MATTE BLACK  
NBM000925X

CODE :10203118  
**R1036B**  
PULL OUT MIXER  
MATT BLACK  
NBM000700X



CODE :10203119  
**R1015B**  
PULL OUT MIXER  
MATT BLACK  
NBM000800X

CODE :10204120  
**R1043GG**  
PULL OUT MIXER  
MATT BLACK  
NBM000800X



CODE 10203121  
**R1043B**  
PULL OUT MIXER  
MATT BLACK  
NBM000750X

CODE 10403122  
**OB-D123**  
PULL OUT MIXER  
MATT BLACK  
NBM000790X



CODE :10303123  
**6073MBK**  
PULL OUT MIXER  
MATT BLACK  
NBM000750X

CODE :10303124  
**R1048B**  
PULL OUT MIXER  
MATT BLACK  
NBM000625X



CODE :  
**WD202-B**  
PULL OUT MIXER  
MATT BLACK  
NBM000625X

## PULL OUT BLACK FAUCETS



CODE:10203019  
**WD201-B**  
PULL OUT MIXER  
BLACK  
NBM000750X



CODE:10304125  
**RP9082-GC**  
PULL OUT MIXER  
GUN GREY  
NBM000675X

CODE:10304066  
**RP9082 -B**  
PULL OUT MIXER  
BLACK  
NBM000625X



CODE:10303070  
**8899 MISCCRM BLACK**  
PULL OUT MIXER  
BLACK  
NBM000530X

CODE:10303126  
**SL-1005**  
PULL OUT MIXER  
BLACK  
NBM000580X



CODE:10303127  
**5544 MISCCRM/BLACK**  
PULL OUT MIXER  
BLACK  
NBM000560X

CODE:10403027  
**L-SHAPE**  
PULL OUT MIXER  
BLACK  
NBM000500X



CODE:10303064  
**RP9081-B+G**  
PULL OUT MIXER  
BLACK / GOLD  
NBM000475X

CODE:10303065  
**RP9081-B+RG**  
BLACK /COPPER  
PULL OUT MIXER  
BLACK  
NBM000475X



CODE:10303128  
**SL-4728**  
PULL OUT MIXER  
BLACK  
NBM000470X

CODE:10303069  
**7778MBK**  
PULL OUT MIXER  
BLACK  
NBM000450X



CODE:10303077  
**8524MBK**  
PULL OUT MIXER  
BLACK  
NBM000425X

## FIX SPOUT BLACK FAUCETS



CODE:10403075  
**6058MBK**  
FIX SPOUT MIXER  
GRANITE BLACK MATTE  
FINISH  
NBM000575X



CODE:10404072  
**6058GREY**  
FIX SPOUT MIXER  
GRANITE GREY  
FINISH  
NBM000575X



CODE:10403074  
**6058GBK**  
FIX SPOUT MIXER  
GRANITE GUN GREY  
FINISH  
NBM000575X




CODE:10403076  
**12015 BLK**  
FIX SPOUT MIXER  
GRANITE BLACK MATTE  
FINISH  
NBM000525X



CODE:10403079  
**8405MBK**  
FIX SPOUT MIXER  
GRANITE BLACK MATTE  
AND BLACK FINISH  
NBM000450X





The logo consists of the letters 'CM' in a stylized, bold, red font.A close-up photograph of a modern shower head. The shower head is curved and has a polished brass finish. It is shown against a background of a grey sky and a dark, rippling body of water. Water is spraying from the shower head's nozzle. The handle is visible on the left side, and the main body of the shower head is on the right.

**OB-D68**  
BRASS BODY  
ZINC ALLOY HANDLE  
35MM SEDAL CARTRIDGE  
RUBBER PUT OUT TUBE

CM



254

## FIX SPOUT COLOURED FAUCETS



CODE:10301129

**OB-D68**

BRASS BODY  
ZINC ALLOY HANDLE  
35MM SEDAL CARTRIDGE  
RUBBER PUT OUT TUBE

NBM0001275X



CODE:10201130

**OB-G17**

ZINC ALLOY HANDLE  
35MM SEDAL CARTRIDGE  
RUBBER PUT OUT TUBE  
GOLD

NBM0001125X



CODE:10201131

**R1014G**

FIX SPOUT  
GOLD

NBM000925X



CODE:10301132

**OB-D125**

PULL OUT SPOUT  
GOLD

NBM000850X



CODE:10201021

**WD201-G**

FIX SPOUT MIXER  
GOLD

NBM000750X



CODE:10201133

**R1036BG**

FIX SPOUT  
GOLD 7 BLACK

NBM000700X



CODE:10201023

**WD202-G**

MIXER WITH SPRING AND  
TWO ABS JETS SPRAY.

NBM000625X



CODE:10301134

**RP9082- G**

PULL OUT SPOUT  
GOLD

NBM000625X



CODE:10301135

**R1048G**

FIX SPOUT  
GOLD

NBM000625X



CODE:10401080

**FTS 1005G**

CODE:10405081

**FTS1005C**

FIX SPOUT  
GOLD  
COPPER

NBM000450X



CODE:10401084

**GFT-5032**

FIX SPOUT  
GOLD

NBM000350X



CODE:10405093

**CFT-5032**

FIX SPOUT  
COPPER

NBM000350X







## FIX SPOUT GRANITE FAUCETS



CODE:10305089

### 6074BE

PULL-OUT MIXER  
GRANITE COLOR FINISH

NBM000745X



CODE:10305088

### 6074GW

PULL-OUT MIXER  
GRANITE WHITE FINISH

NBM000745X

CODE:10303086

### 6073GB

SPOUT ,STAINLESS  
STEEL SPRAY 35  
CARTRIDGE , TWO OF  
60CM FLEXIBLE HOSE  
ONE OF 150CM , PULL  
OUT BLACK & CHROME  
FINISH

NBM000725X



CODE:10303087

### GH-6006-AB

STAINLESS STEEL SPRAY  
35 CARTRIDGE , TWO OF  
60CM FLEXIBLE HOSE ONE  
OF 150CM PULL-OUT HOSE  
BLACK FINISH

NBM000695X

CODE:10305087

### GH-6006-SW

SPOUT ,STAINLESS  
STEEL SPRAY 35  
CARTRIDGE , TWO OF  
60CM FLEXIBLE HOSE  
ONE OF 150CM , PULL  
OUT

NBM000695X



CODE:10403091

### 6058GB

BRASS FAUCET BODY ,  
BRASS SPOUT ,ZINC  
HANDLE , 35  
CARTRIDGE ,TWO OF  
60CM FLEXIBLE HOSE

NBM000575X

CODE:10401073

### 6058 BE

FIX MIXER  
GRANITE BEIGE

NBM000575X



CODE:10405090

### 6058 GW

FIX MIXER  
GRANITE WHITE FINISH

NBM000575X

### SC 90

FIXED HIGH SPOUT  
SPACE-SAVING DESIGN  
TEMPERATURE LIMITER  
WATER-SAVING  
CHROME + QUARTZ/ROUGEL  
POLARS/MOONSTONE FINISH

NBM0001500X



### SC 200

FIXED HIGH SPOUT  
SPACE-SAVING DESIGN  
ULTRA-QUIET WATER JET  
WATER-SAVING  
TOP-LEVER POSITION  
CHROME + ROUGE/POLARIS/  
MAGNOLIA FINISH

NBM0001600X



### SIMI

FIXED HIGH SPOUT  
LEFT / RIGHT HAND DESIGN  
CHROME + BETON FINISH

NBM000900X

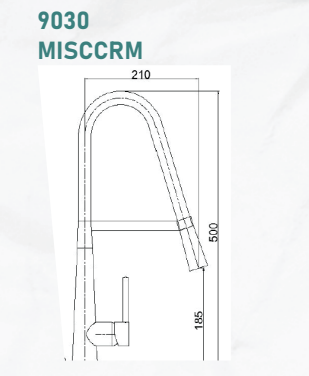
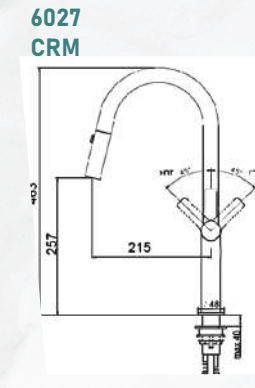
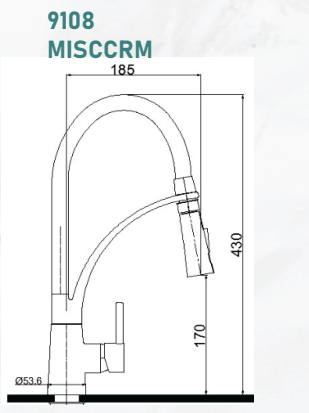
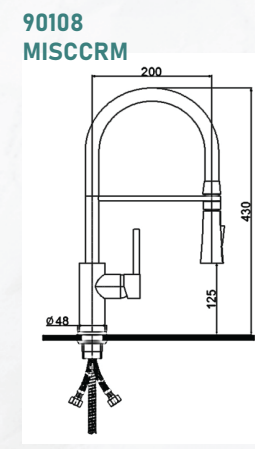
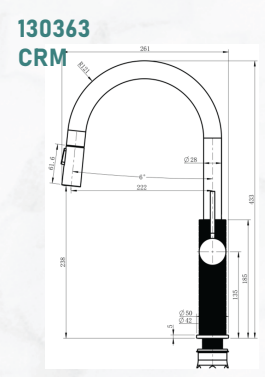
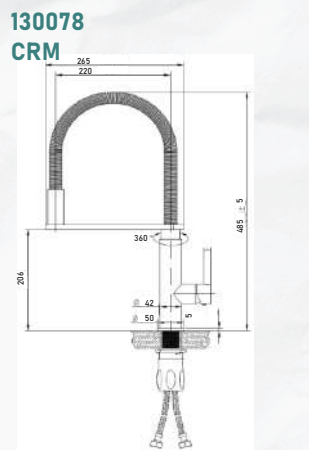
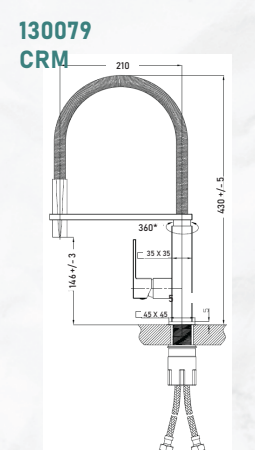
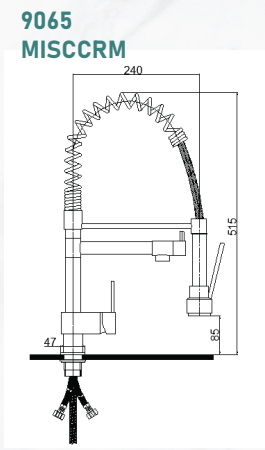
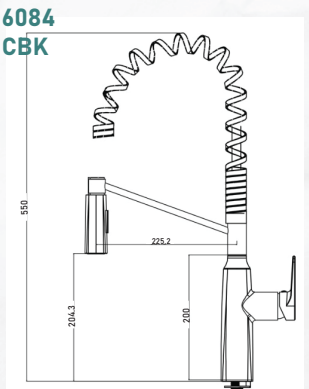
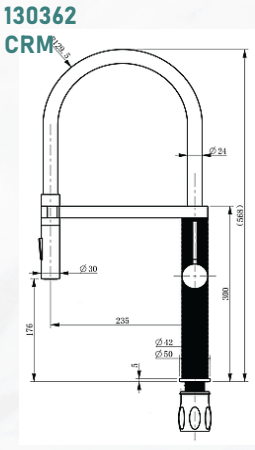
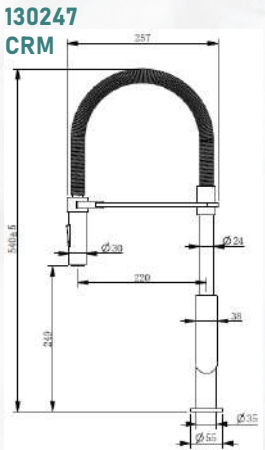


### SIMI

FIXED HIGH SPOUT  
LEFT / RIGHT HAND DESIGN  
CHROME + MOONSTONE FINISH

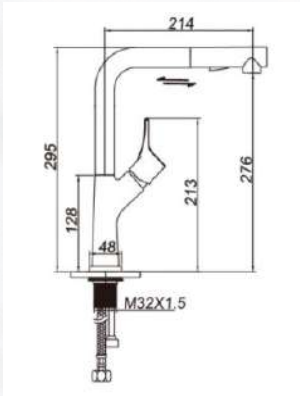
NBM000900X

# INSTALLATION DIAGRAM

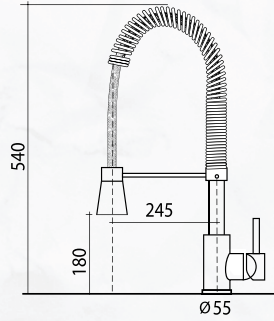


# INSTALLATION DIAGRAM

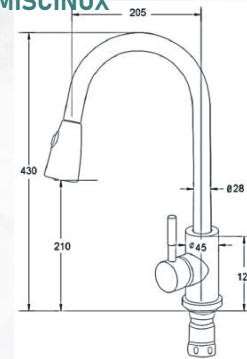
**6073 CRM**



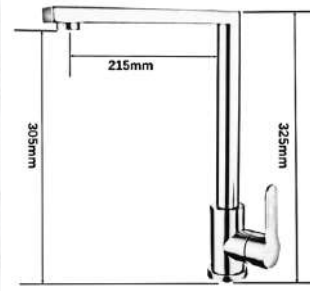
**90220 MISCCRM**



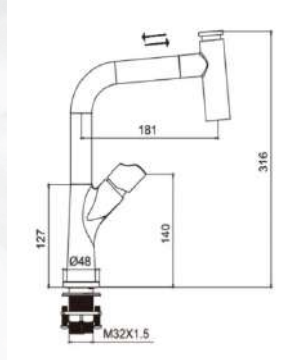
**9700 MISCINOX**



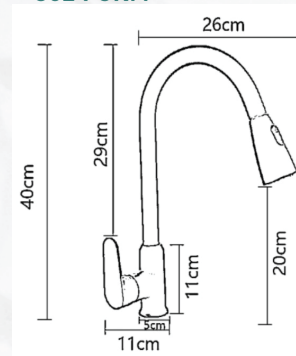
**8120 MISCINOX**



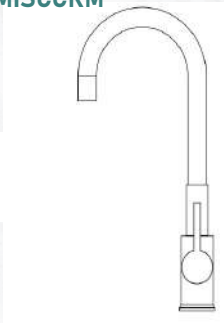
**6040 CRM**



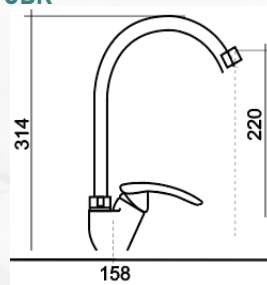
**8524 CRM**



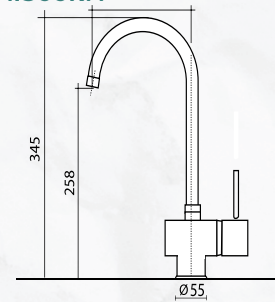
**90216 MISCCRM**



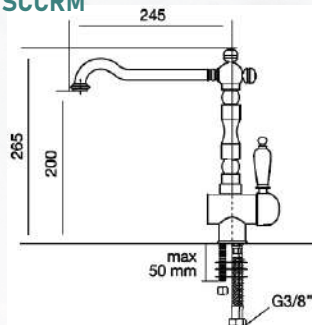
**6815 CBK**



**90208 MISCCRM**



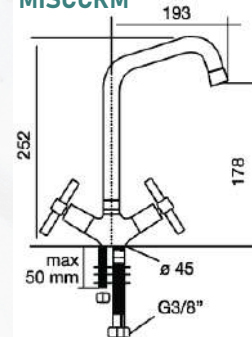
**9209 MISCCRM**



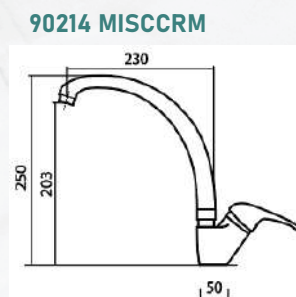
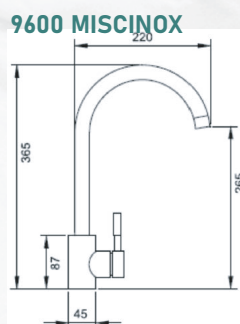
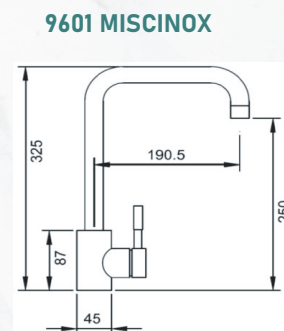
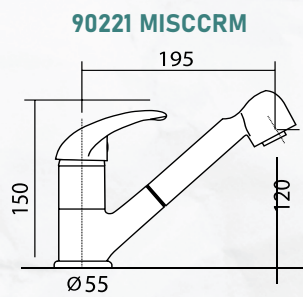
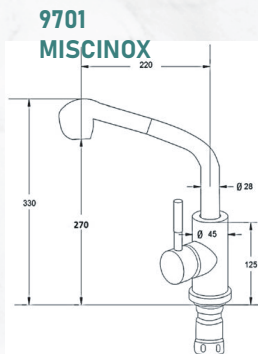
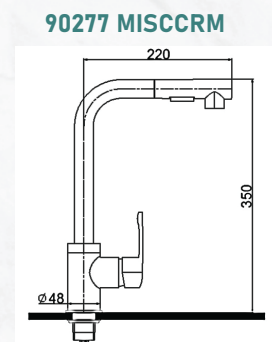
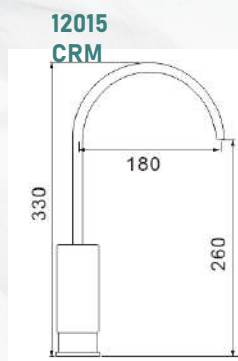
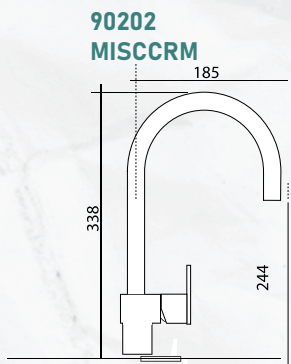
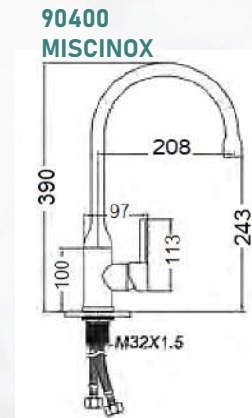
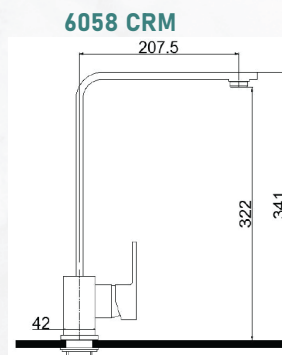
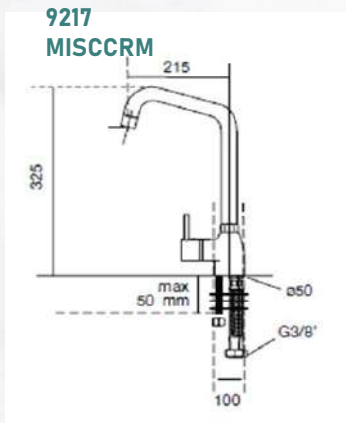
**90008 MISCCRM**



**90228 MISCCRM**



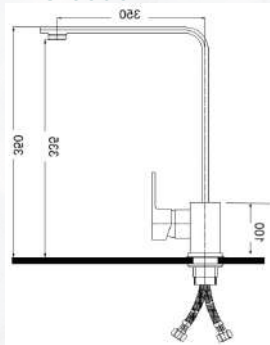
# INSTALLATION DIAGRAM



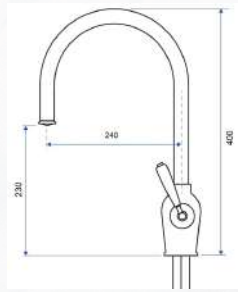


# INSTALLATION DIAGRAM

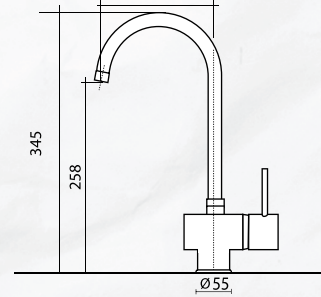
**FTS1005G**



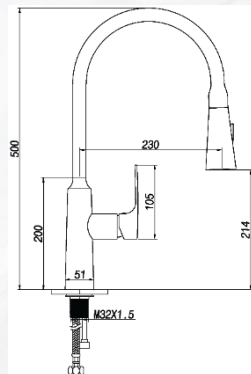
**FT 9066**



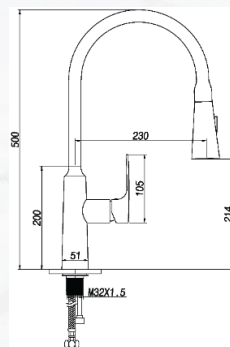
**GFT5032**



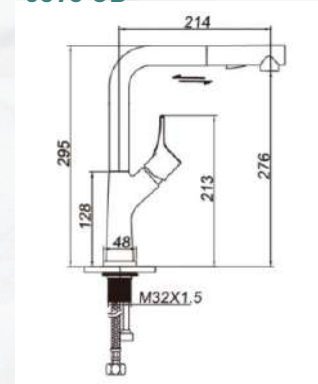
**6074 GW**



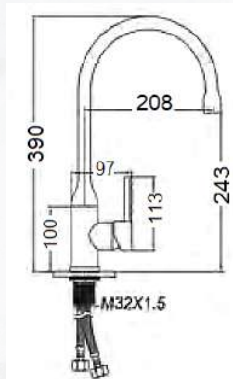
**6074 BE**



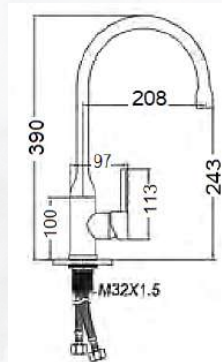
**6073 GB**



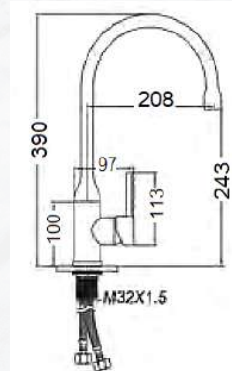
**6058 BE**



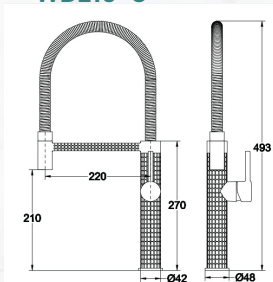
**6058 GW**



**6058 GB**



**WD210-G**



**WD202-B**



**WD201-G**











CODE: 6043003

## SMART CASE

TOUCH SCREEN SM  
ART CODE CASE

STEEL, FLOCKED CLOTH,  
ACRYLIC SCREEN  
525 X 360 X 150 MM



CODE: 6092305

## SHOE RACK

360°ROTATABLE MULTI  
LAYER SHOES RACK  
BLACK FRAME  
GREY WOOD BOARD

10 LAYERS-FRAME 10  
10 LAYERS-PLATE 10  
SLIDE





CODE:6092100

## SHELF

HIGH ROTATABLE  
MULTIFUNCTIONAL SHELF  
BLACK FRAME  
GREY WOOD BOARD

Plate: 545 X 490 X 473 MM

Rob: 980 X 85 X 85

H (1910-2110) X W(710) MM



WARDROBE STORAGE



CODE: 6091700

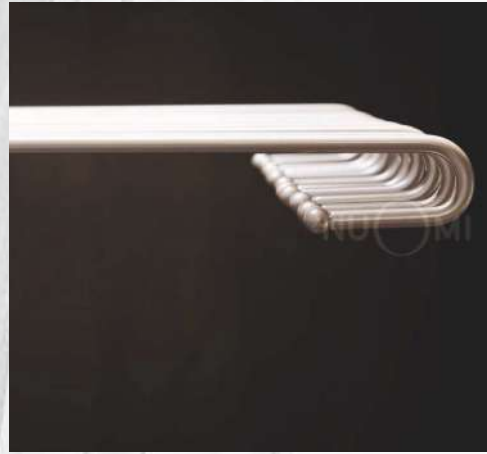
## HANGER

TOP

INSTALL ROTATABLE HANGER

BLACK COLOR

W(520) x H(125) MM



CODE: 6091200

## TROUSERS RACK

SOFT  
CLOSE TOP  
INSTALL TROUSERS RACK  
BLACK FRAME  
GREY FOAM COTTON  
335 X 460 X 126 MM



CODE: 6091300

## CLOTHES RACK

SOFT

CLOSE TOP

INSTALL CLOTHES RACK

BLACK COLOR

92 x 560 x 126 MM





CODE: 6110690

## DRAWER

SOFT  
CLOSE DECORATION SHELF  
BLACK FRAME  
GREY LEATHER

864 (W) X 469 (D) X 85 (H) MM



CODE: 6110490

## TROUSERS RACK

TROUSERS HANGER  
SOFT CLOSING, PULL-OUT  
ALUMINUM ALLOY, LEATHER, MDF  
864 (W) X 469 (D) X 85 (H) MM





CODE: 6110390

## SHELF

SOFT  
CLOSE UNDER GARMENTS SHELF  
BLACK FRAME  
GREY LEATHER

864 (W) X 469 (D) X 85 (H) MM



CODE: 6090290

## LINEN DRAWER

LEATHER BASKET  
SOFT CLOSING, PULL-OUT  
ALUMINUM ALLOY, LEATHER, MDF  
864 (W) X 469 (D) X 169 (H) MM

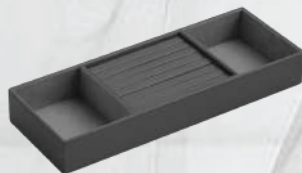




CODE: 6113800  
**WATCH BOX**  
 MULTIFUNCTIONAL WATCH BOX  
 GREY LEATHER  
 150 X 410 X 55 MM



CODE: 6113600  
**STORAGE BOX**  
 MULTIFUNCTIONAL STORAGE BOX  
 (SMALL)  
 GREY LEATHER  
 150 X 410 X 55 MM



CODE: 6093700  
**RING BOX**  
 MULTIFUNCTIONAL RING BOX  
 GREY LEATHER  
 150 X 410 X 55 MM



CODE: 6094200  
**STORAGE BOX**  
 MULTIFUNCTIONAL STORAGE BOX  
 (LARGE)  
 GREY LEATHER  
 260 X 410 X 55 MM

# KITCHEN ACCESSORIES





CODE: 2030002B + 2030184

**AIRCRAFT CARRIER CABIN**

AIRCRAFT CARRIER CABIN FRAME 5 TIERS WITH  
 5 TIERS BASKET GRAY 600MM  
 (404-424) x 500 x1780 MM  
 (554-574) x 500 x1430 MM

CODE: 2020006B + 2020186

**PANTRY ROLL- OUT BASKETS**

PANTRY ROLL- OUT FRAME 6 TIERS 600MM  
 6 TIERS BASKET  
 600M 555\*500\*1780 & ABOVE  
 555 x 500 x1780 MM





CODE: 201003B + 2010113B

**REVOLVING TALL UNIT**

REVOLVING TALL UNIT  
240(W) X 480(D) X 1780-2080 (H) MM

CODE: 2010003B + 2010183

**PANTRY POLL OUT BASKET**

PANTRY ROLL- OUT  
FRAME 6 TIERS 300MM  
6 TIERS BASKET  
300M  
240-340(W) X480 (D) X 1780-2080 (H)





CODE: BA012-60CM - CABINET 45CM

**SWIVELLING BASKET**

OVERALL SIZE : ( 565 X 530 X 1920 ) 600 MM

OVERALL SIZE : (515 X 530 X 1920 ) 450 MM

CABINET: 600 MM ( L/R )

CODE: TDM56

**PULL-OUT LARDER**

6 - TIER PULL - OUT LARDER SYSTEM GRAY,  
STAINLESS STEEL

SOFT CLOSING, 50CM CABINET SIZE

445D X500W X 1950H

HEIGHT ADJUSTABLE UP TO 2270 MM 500MM

CABINET SIZE :

600 MM

OVERALL SIZE : 4455 X 500 X (1950-2270)MM





BA029-45 - AB017

**PULL-OUT LARDER**

6 - TIER PULL - OUT LARDER SYSTEM  
 CHROME PLATED, STAINLESS STEEL  
 SOFT-CLOSING  
 ADJUSTABLE UP TO 2220 MM

CABINET SIZE:

450 MM - 105 (W) X 505 (D) X 1970 (H) MM  
 150 MM - 105 (W) X 505 (D) X 1970 (H) MM  
 450 MM  
 150 MM

CODE: 24730

**PULL-OUT LARDER**

6 - TIER PULL - OUT LARDER SYSTEM  
 CHROME PLATED, STAINLESS STEEL  
 NORMAL CLOSING, ADJUSTABLE LEVELS

CABINET SIZE :

505(D) X 305(W) X 1970(H)  
 300 MM  
 300MM





CODE: 1010001B+ 1010180+ 1010002B + 1010180

**MAGIC CORNER**

LEFT FRAME GREY  
BASKET GREY  
RIGHT FRAME GREY  
BASKET GREY

860-960 (W) X 530 (D) X 520 (H) MM



CODE: 1010001B + 1010110B, 1010002B + 1010110B

**MAGIC CORNER**

860-960 (W) X 530 (D) X 520 (H) MM



CODE: 1020071, 1020072

**REVOLVING SAUCER**

LEFT OPENING

RIGHT OPENING

830X500X(620-720)MM



CODE: 1020031B, 1020032B

**CAROUSEL BASKET**

SOFT-CLOSING

AVAILABLE IN LEFT AND RIGHT

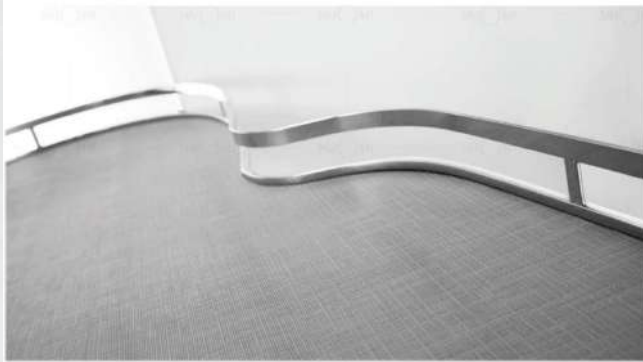
828 (W) X 500 (D) X 620-720 (H)



CODE: BF001

**CAROUSEL BASKET ( R ) ( L )**

825 (W) X 370 (D) X 565 (H) MM



CODE: 3149005/3189005

**UNDERSINK BASKET**

864 (W) X 450 (D) X 170 (H) MM





CODE: 3182006

**IN-CABINET RACK**

OVERALL SIZE : 390 (W) X 190(D) X 587 (H) MM



CODE: 2020008B

**ENCANTO BASE CABINET**

MINI PANTRY

MM GOLD CHAMPAGNE /GREY

FRAME 600 MM

555 X 500 X600 MM

CODE: 2020188

**ENCANTO BASE CABINET**

MINI PANTRY

MM GOLD CHAMPAGNE /GREY

FRAME 600 MM

555 X 500 X600 MM

CODE: 3111501B

**SIDE PULL-OUT RACK**

110 (W) X 480 (D) X 540 (H) MM



CODE: 3181501

**ENCANTO SIDE TWO**

LAYERS PULL  
OUT BASKET

114 X 470 X 552 MM

CODE: 10068

**HALF-SINGLE BASKET**

WITH DOOR CONNECTION  
CHROME FINISH  
650 MM





CODE: 80713

**BOTTLE/GLASS  
HOLDER**

CEILING-MOUNTED  
CHROME FINISH

CODE: 30050

**PULL-OUT BASKET**

WITH DOOR CONNECTION  
CHROME FINISH  
500 MM



CODE: 31150

**SIDE SLIDE BASKET**

CHROME FINISH  
500 MM



CODE: 82480, 82490

**DISH/GLASS RACK**

STAINLESS STEEL  
800 MM, 900 MM  
900 MM  
800 MM



CODE : BRD450-27W

**WASTE BIN**

DUSTBIN 450 MM  
(412-418)\*506\*570MM  
SOFT CLOSING 27L X2=54  
LITER



CODE : BRD600-35W

**WASTE BIN**

DUSTBIN 60 CM  
(562-568)\*506\*570  
MM SOFT CLOSING  
35L X2=70 LITER



CODE: KA020

**BUILT-IN WASTE BIN**

SINGLE, ROUND WASTE BIN  
SILVER WITH BLACK ACCENT  
14 L CAPACITY  
310 (W) X 255 (D) X 330 (H) MM  
SS201 + PLASTIC MATERIAL



CODE: KA002

**BUILT-IN WASTE BIN**

SINGLE, ROUND WASTE BIN  
SILVER WITH BLACK ACCENT  
14 L CAPACITY  
310 (W) X 255 (D) X 330 (H) MM  
SS201 + PLASTIC MATERIAL



CODE : JH-500F

**CUTLERY**

TRAY 90 CM  
CABINET  
816\*472\*65 MM



CODE : JH-500E / JH-500D

**JH-500D**

**CUTLERY**  
TRAY 45 CM  
CABINET  
380\*472\*65 MM

**JH-500E**

**CUTLERY**  
TRAY 60 CM  
CABINET  
535\*472\*65 MM



## SMART POWER



ELECTRIC TOWER CABEL WITH  
SOUND COMMAND  
2 USB  
2 BRITISH PLUGS  
LED LIGHT AND RADIO  
VOICE RECORDER  
SPEAKER  
MOBILE CHARGER

2 SOCKET PANELS WIRELESS CHARGING  
MAXCURRENT : 13A  
VOLTAGE : 240 AC

BLUETOOTH SPEAKER  
VOICE CONTROL  
LED LIGHTS  
USB OUTPUT: MAX DC5V 2.1A  
WIRELESS CHARGING: 15W  
BLUETOOTH SPEAKER: DC 5V 1A  
N.W/G.W: 1.9KG/2.3KG  
2\*USB TYPE C  
UNITPACKING: 460MM\*170MM\*170MM;  
2\*USB TYPE A  
FM RADIO FUNCTION  
RECORDER FUNCTION

CARTON:(W X H X D ) 560 X480 X 360MM/6PCS MIN DEPTH: 385MM

CUT OUT : 102 MM CIRCLE HOLE OF TABLE SOCKET AVAILABLE



# SINK ACCESSORIS



NBM000545X



NBM000150X



NBM000400X



NBM000595X



NBM000525X



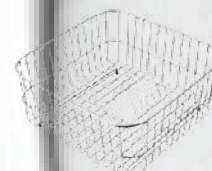
NBM000450X



NBM00075X



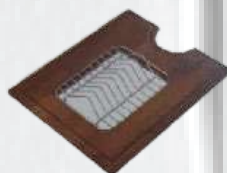
NBM000775X



NBM000450X



NBM00075X



NBM000500X



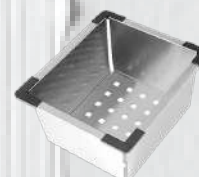
NBM000545X



NBM000550X



NBM000800X



NBM000645X

# SINK ACCESSORIS



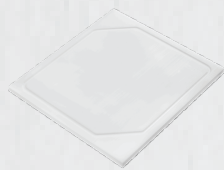
NBM000550X



NBM000700X



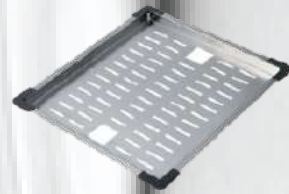
NBM000645X



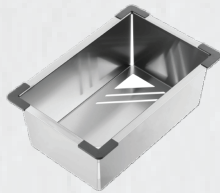
NBM000545X



NBM000650X



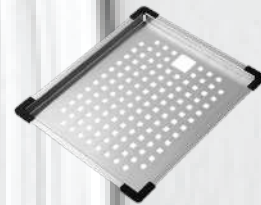
NBM000625X



NBM000450X



NBM000350X



NBM000625X



NBM00075X



NBM000350X



NBM000700X





NBM00030X



NBM00075X



NBM00050X



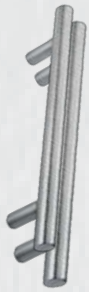
NBM00050X



NBM00050X



NBM00075X



### T-BAR SOLID HANDLE

STEEL HANDLE, MATTE FINISH  
198 MM (128CC X 198L X 12DIA X 32H)  
190 GRAMS

198 MM  
368 MM



### C-STYLE SOLID HANDLE

STEEL HANDLE, MATTE FINISH  
128CC X 165L X 10DIA X 32H MM  
90 GRAMS



CODE: 2029

### 2029 HANDLE

ZINC ALLOY HANDLE, MATTE FINISH  
160CC X 169L X 13DIA X 22H MM  
90 GRAMS



CODE: 2007

### 2007 PULL HANDLE

ZINC ALLOY HANDLE, MATTE FINISH  
160CC X 169L X 13DIA X 22H MM  
90 GRAMS



CODE: HY005

### SQUARE PULL HANDLE

ALUMINUM ALLOY  
SATIN-NICKEL FINISH  
96CC X 360L X 25DIA X 30H MM  
209 GRAMS



CODE: 1040

### 1040 HANDLE

ZINC ALLOY HANDLE,  
CHROME FINISH  
128CC X 159L X 10DIA X 21H MM  
48 GRAMS



CODE: 1010

### 1010 HANDLE

ZINC ALLOY HANDLE,  
CHROME FINISH  
128CC X 158L X 13DIA X 25H MM  
45 GRAMS



CODE: 5008A

### 5008A KNOB

ZINC ALLOY HANDLE,  
CHROME FINISH  
32L X 32DIA X 27H MM  
58 GRAMS



CODE: HA001A  
**HA001A**

SLIDE-ON  
FULL OVERLAY  
110° OPENING  
2-HOLE PLATE  
48 MM CUP HOLE  
200 PCS. PER BOX  
STEEL, NICKEL FINISH



CODE: 10B48008H0002S, HB001B  
**10B48008H0002S,  
HB001B**

SLIDE-ON  
HALF OVERLAY  
110° OPENING  
4-HOLE PLATE  
48 MM CUP HOLE  
200 PCS. PER BOX  
STEEL, NICKEL FINISH  
SOFT-CLOSING



CODE: HB001A  
**HB001A**

CLIP-ON  
FULL OVERLAY  
110° OPENING  
4-HOLE PLATE  
48 MM CUP HOLE  
200 PCS. PER BOX  
STEEL, NICKEL FINISH  
SOFT-CLOSING  
FGV



CODE: HA001B  
**HA001B**

CLIP-ON  
HALF OVERLAY  
110° OPENING  
4-HOLE PLATE  
48 MM CUP HOLE  
200 PCS. PER BOX  
STEEL, NICKEL FINISH  
FGV



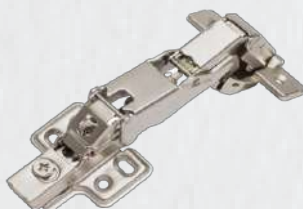
CODE: 16048000H0002S  
**16048000H0002S**

SLIDE-ON  
FULL OVERLAY  
165° OPENING  
4-HOLE PLATE  
48 MM CUP HOLE  
200 PCS. PER BOX  
STEEL, NICKEL FINISH



CODE: HC002  
**HC002**

SOFT-CLOSING  
CLIP-ON  
HALF OVERLAY  
165° OPENING  
4-HOLE PLATE  
48 MM CUP HOLE  
100 PCS. PER BOX  
STEEL, NICKEL FINISH



CODE: 165Q48000H5100S  
**165Q48000H5100S**

CLIP-ON  
FULL OVERLAY  
165° OPENING  
4-HOLE PLATE  
48 MM CUP HOLE  
100 PCS. PER BOX  
STEEL, NICKEL FINISH



CODE: SF4510400, SF4510450  
**BALL BEARING SLIDE**

SOFT-CLOSING  
 1.2 X 1.2 X 1.2 MM THICKNESS  
 15 PAIRS PER BOX  
 40 CM, 45 CM  
 40 CM  
 45 CM



CODE: DB04450  
**BALL BEARING SLIDE**

SOFT-CLOSING  
 1.2 X 1.2 X 1.2 MM THICKNESS  
 15 PAIRS PER BOX  
 45 CM



CODE: DD00389, DD03121  
**TANDEM BOX**

STEEL  
 50 CM LENGTH  
 1 PAIR PER BOX  
 WHITE ONLY

AVAILABLE HEIGHTS:  
 89 MM  
 121 MM (WITH GALLERY RAIL)  
 89 MM  
 121 MM



CODE: DD00389



CODE: OF004  
**WALL-HANGING  
 BRAKET**

METAL, IRON, ABS  
 LET AND RIGHT SET



CODE: -  
**ZINC ALLOY BRACKET**  
 30 X 15 MM  
 8 GRAMS



CODE: 580651C145G0000  
 580651C150G0000  
 580751C145G0000



CODE: KDFITWOOD01  
**WOODEN DOWEL**  
 30L X 8DIA MM



CODE: WP002



CODE: KDFIT01  
**EXCETER FITTING**

15W X 12H MM  
 METAL CONNECTING BOLTS  
 6W X 40L MM  
 IRON, PLASTIC  
 10W X 11H MM NUT SIZE



CODE: 21/19.50.37, 21/19.55.37  
**MULTICORNER 90°**

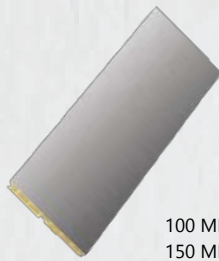
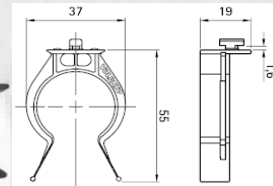


100 MM  
 150 MM

■ BLACK 800 MM ■ SILVER 800 MM  
 ■ WHITE 800 MM



CODE: 10/06.151  
**GANCI CLIPS**



CODE: 20/20.400.37, 20/25.400.37  
**PLINTH**



100 MM NBM00020X  
 150 MM NBM00026X

PRICED PER METER\*



**PLINTH**

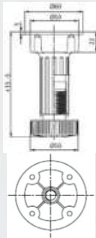
150 MM  
 SILVER  
 BLACK  
 WHITE

100 MM  
 SILVER  
 BLACK  
 WHITE

PRICED PER BAR (4 METERS)\*

CODE: 10/02A100, 10/02.A150, 10/02.1155

**INTEGRAL ADJUSTABLE LEGS**



10/02A100 100 MM LEG: 10/07.131 100 MM  
 10/02.A150 150 MM LEG: 10/07.137 150 MM

SCREW

10/07.138  
 10/07.139

10/02.1155 150 MM LEG: 10/07.111 150 MM

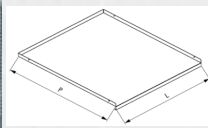
10/07.121  
 10/07.122  
 10/07.124  
 10/07.125  
 10/07.128Z  
 10/07.129



**LEGS WITH CLIPS**

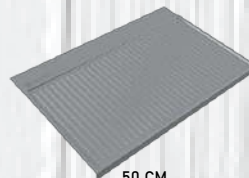
150 MM  
 100 MM

**FOLDED UNDERSINK**

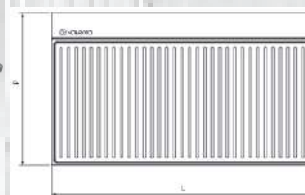


40763571.50 463 X 550 MM 50 CM  
 40763571.60 563 X 550 MM 60 CM  
 40763571.80 763 X 550 MM 80 CM  
 40763571.90 863 X 550 MM 90 CM  
 40763571.10 963 X 550 MM 100 CM  
 40763571.12 1163 X 550 MM 120 CM

**UNDERSINK PRO CABINET**

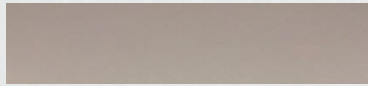


50 CM  
 60 CM  
 80 CM  
 90 CM  
 100 CM





**MF101 / L001**  
 0.4 X 22 MM  
 1.0 X 22 MM  
 2.0 X 22 MM  
 0.4 X 22 MM  
 1.0 X 22 MM



**MF124**  
 2.0 X 22 MM



**MF322**  
 0.4 X 22 MM  
 2.0 X 22 MM



**05470**  
 2.0 X 22 MM



**01200**  
 0.8 X 22 MM



**MF302**  
 0.4 X 22 MM  
 2.0 X 22 MM



**MF313**  
 0.4 X 22 MM  
 2.0 X 22 MM



**MF102**  
 0.4 X 22 MM  
 1.0 X 22 MM  
 2.0 X 22 MM



**MF366**  
 0.4 X 22 MM  
 2.0 X 22 MM



**MF301**  
 0.4 X 22 MM  
 2.0 X 22 MM



**07450**  
 2.0 X 22 MM



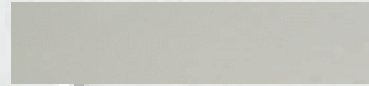
**15000 3D**  
 1.0 X 22 MM



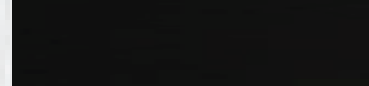
**MF361**  
 0.4 X 22 MM



**05480**  
 2.0 X 22 MM



**MF131**  
 0.4 X 22 MM



**MF141**  
 0.4 X 22 MM  
 2.0 X 22 MM



**04190**  
 2.0 X 22 MM



**00107**  
 2.0 X 22 MM



**15002 3D**  
 1.0 X 22 MM



**MF480**  
 0.4 X 22 MM  
 2.0 X 22 MM



**MF301**  
 0.4 X 22 MM  
 2.0 X 22 MM

# CM

**NABLUS**  
BUILDING MATERIALS



MADE IN ITALY

## **NABLUS BUILDING MATERIALS TRADING LLC**

DUBAI , WARSAN 3

TEL : +971 4 2262646 / 4 2243476


ABU DHABI , ALNAJDA


TEL : +971 2 8826656

AL SHARJAH , ALSAJAA

TEL : +971 6 8829646

 [www.nablus.ae](http://www.nablus.ae)

 [Nablus. appliances](https://www.instagram.com/Nablus_appliances)

 [Nablus Bldg Materials](https://www.facebook.com/NablusBldgMaterials)